

Installation Instructions

Light Blockout System

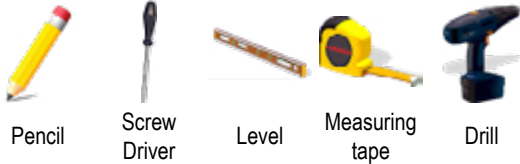
Thank You

Thank you for choosing Genesis Custom Window Shades. With proper installation and care, your new shades will provide many years of beauty and performance.

Before Installing

Remove shade from the package. Keep all packaging until shade operates to your satisfaction. Contents of your hardware package may vary depending on options chosen. Additional fasteners may be needed on your specific mounting surface.

Tools



Pencil

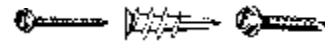
Screw Driver

Level

Measuring tape

Drill

Fasteners



wood

drywall, plaster

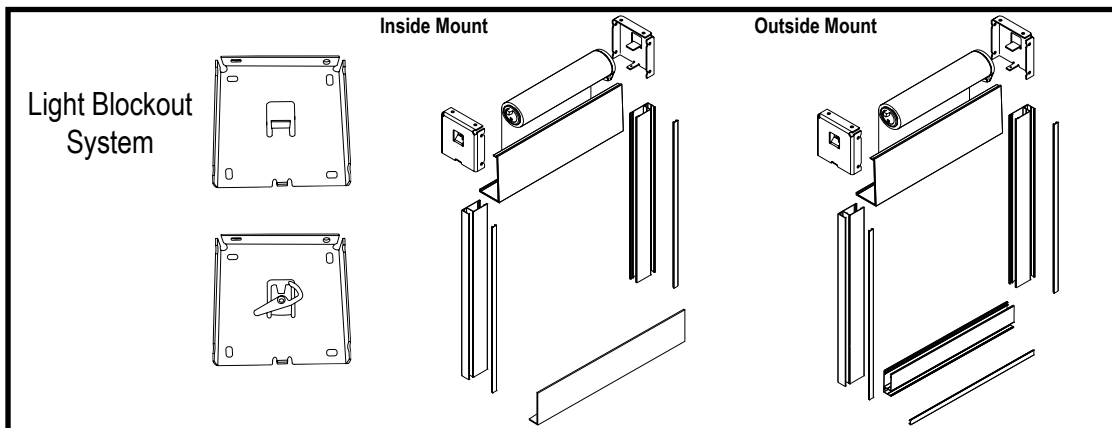
metal

(provided)

(not provided)

(not provided)

Your Shade

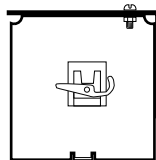
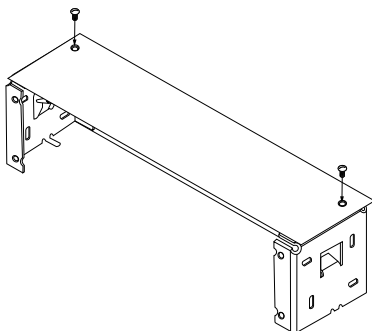


Step 1 Attach Top/Rear Fascia

Use the pre-drilled holes in the fascia to attach the Top/Rear cover using the bolts and nuts provided

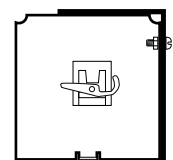
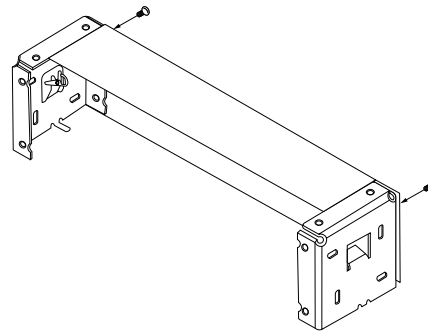
Outside Mount

For Outside Mount installation, the wide face of the Top/Rear Fascia is oriented on the Top of the brackets



Inside Mount

For Inside Mount installation, the wide face of the Top/Rear Fascia is oriented towards the Rear of the brackets



Step 2

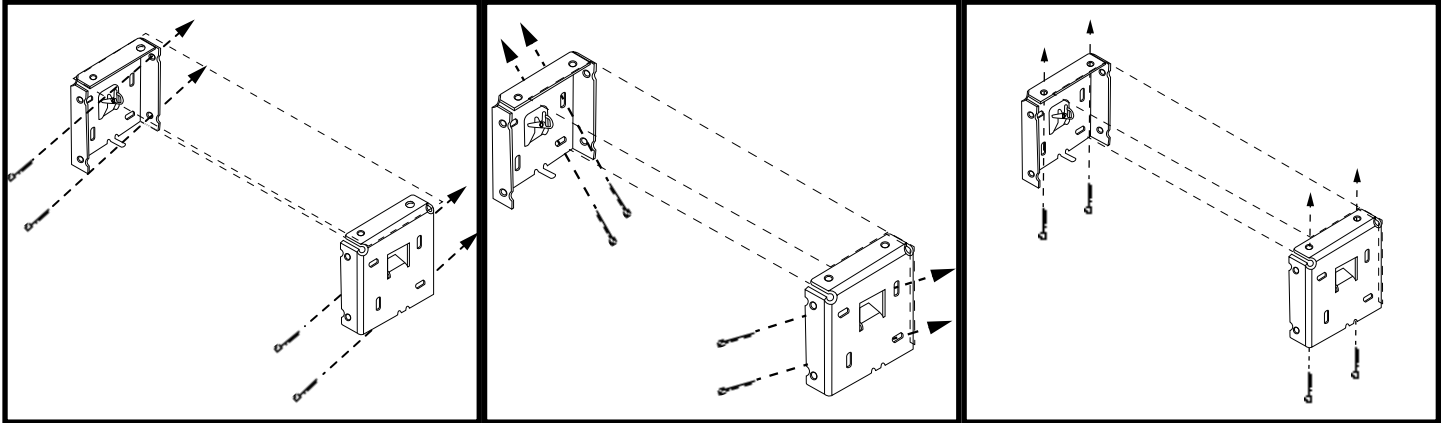
Install Brackets

The Open End of each bracket faces Downward, as shown below.
Use at least two screws per bracket

Outside Mount

Inside Mount

Ceiling Mount

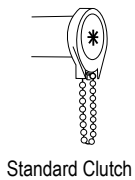


Use a Level to make sure Brackets are mounted level or the shade will not roll straight.

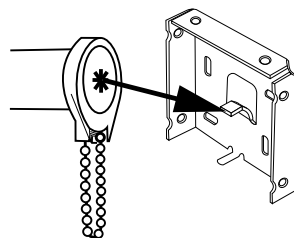
Step 3

Install the Shade

Step 1

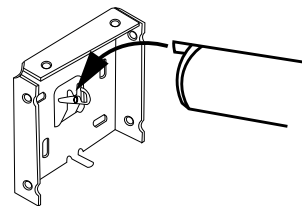


Standard Clutch



Push the clutch end of the shade straight onto the bracket with the tab

Step 2



Lower the other end of the shade onto the "V" of the bracket. Make sure it is seated properly

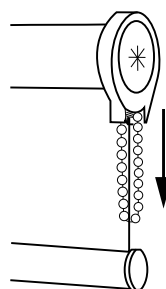
Step 3



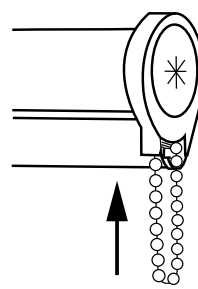
With the shade seated in place turn the retainer arm to lock it securely

Step 4

Operate the Shade



Pull gently on the back side of the chain to lower it.



Pull gently on the front side of the chain to raise it.

Check Shade for proper operation. If shade Skews left or right (does not roll up straight), check that the brackets are level.
If brackets are level and the shade still skews, it may require shimming.

Shimming

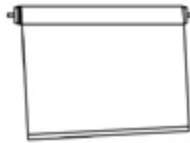
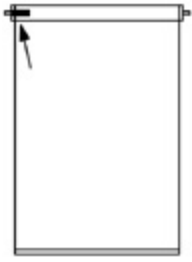


FIGURE A

If shade veers toward the right (Fig. A) lower the shade completely and place a 4" strip of masking tape on the roller on the left side. Repeat as necessary until a straight roll is achieved.



FIGURE B

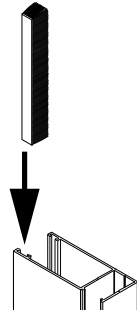
If shade veers toward the left (Fig. B) lower the shade completely and place a 4" strip of masking tape on the roller on the right side. Repeat as necessary until a straight roll is achieved.

Step 5

Install the Side Channels

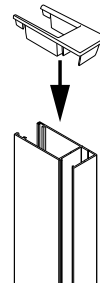
Step 1

Make sure that the pile is inserted into the channel on the room side of the side pieces



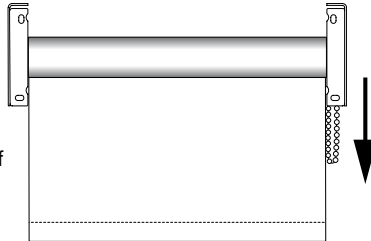
Step 2

Insert the Fabric Guide piece onto the tops of each side Channel



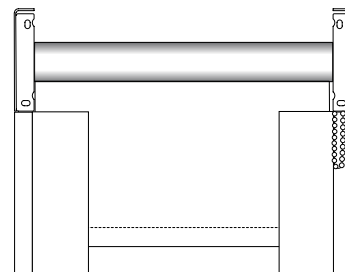
Step 3

Lower the shade slightly to fit the shade onto the top of the channel

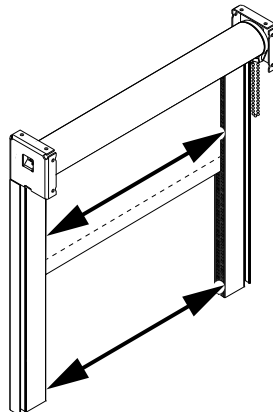


Step 4

Align the outer edge of the side channels with the outside of the brackets and hold them snug against the brackets



Step 5

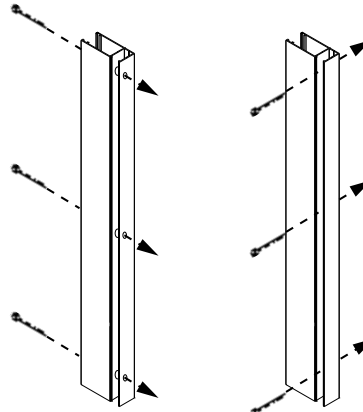


Make sure the Side Channels are the same distance apart on the top and bottom to ensure the opening is square.

Step 6

Inside Mount

Outside Mount

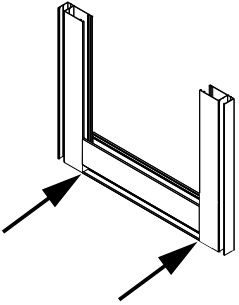


Use the screws provided to attach the side channels to the mounting surface through the pre-drilled holes in the side channels.

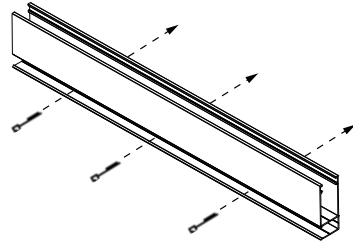
Step 6

Install the Bottom Channel

Outside Mount

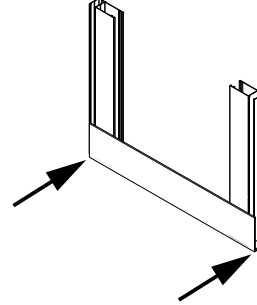


Align the bottom edge of the bottom channel with the bottom of the Side Channels

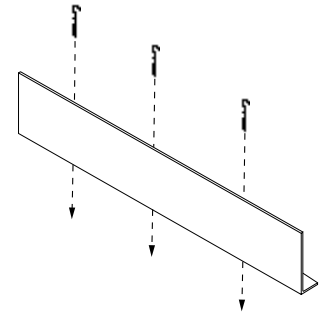


Run screws through the access channel to attach to mounting surface

Inside Mount



Slide the bottom channel underneath the bottom of the Side Channels and align

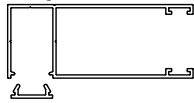


Screw down through the smaller side to attach to mounting surface

Step 7

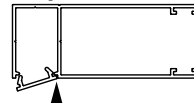
Install Access Channel Cover

Step 1



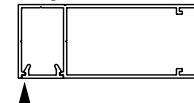
Align Access Channel Cover with Side Channel

Step 2



Push one side against the groove in the Side Channel

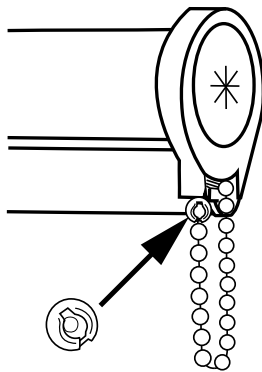
Step 3



Snap into place

Step 8

Install Cord Tensioner, Hold Down, Chain Stop

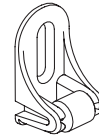


Lower Shade to desired length.

On the front of the chain directly below the clutch, attach the round stop to the first bead on the chain.

This will prevent the shade from being lowered beyond the desired length.

Hold Downs



See Hold-Down installation instructions

Cord Tension Lock



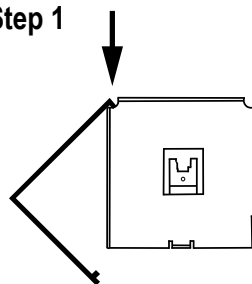
See Cord Tension Lock installation instructions

After the shade is installed and operates correctly, proceed to install the fascia

Step 9

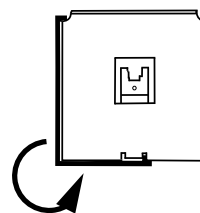
Install the Front Fascia

Step 1



Tilt fascia so that the lip at the top of the fascia can rest into the slots in the top of the bracket

Step 2



Tilt the fascia forward until it snaps onto the bottom bracket tabs