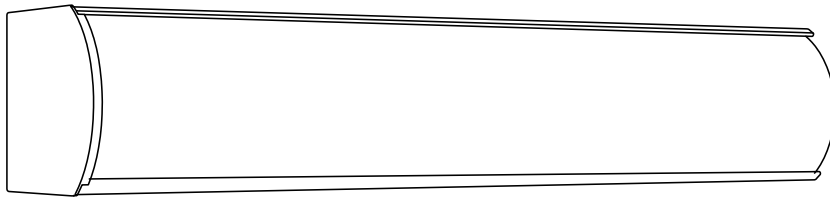




Transitional Shades



Small Cassette

Installation Instructions

Thank You

Thank you for choosing your Allure Transitional Shade
With proper installation and care, your new shades will provide many years of beauty and performance.

Before Installing

Remove shade from the package. Keep all packaging until shade operates to your satisfaction. Contents of your hardware package may vary depending on options chosen.
Additional fasteners may be needed on your specific mounting surface (not included).

Tools Needed



Pencil



Screw Driver



Level



Measuring tape



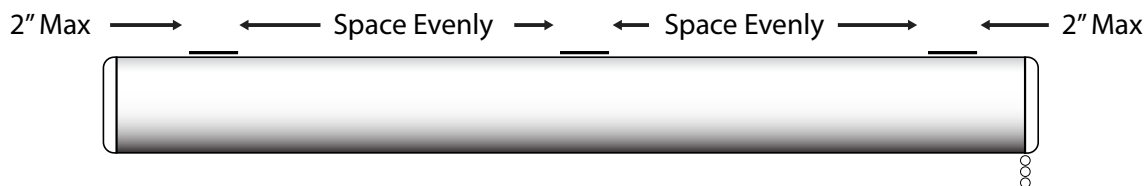
Drill

Shade Width	Brackets Required	2-on-1 Headrail
15" - 48"	2	If installing a 2-on-1 headrail: one bracket is required to be located at the Center Gap
48 1/16" - 72"	3	
72 1/16" - 90"	4	
90 1/16" - 120"	5	
120 1/16" - 156"	6	

Step 1 Space Brackets in Window

Measure 2" in from each end of the headrail and mark the bracket location on the mounting surface.

Space additional brackets evenly between the end brackets and mark the bracket location on the mounting surface

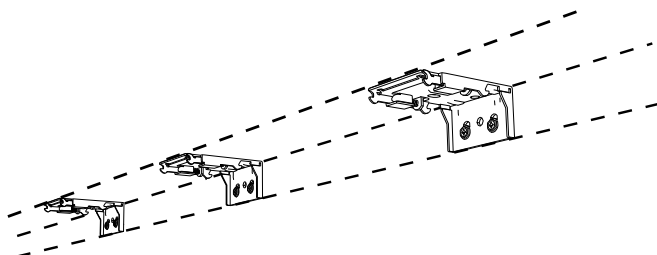


Note: install brackets into studs or headers when possible, and space evenly



If spacer blocks are being used, place in between mounting surface and bracket before attaching with screws

IMPORTANT: Brackets need to be Level and Aligned
Shimming Brackets may be required

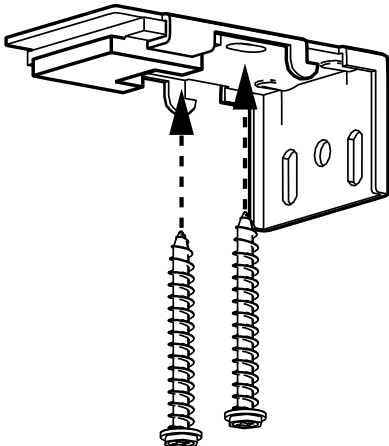


NON-MOTORIZED

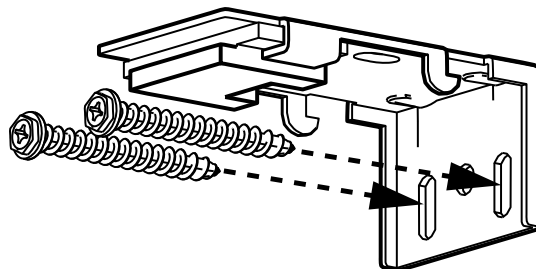
Step 2 Install the Brackets

Use two screws to secure to the mounting surface

INSIDE MOUNT



OUTSIDE MOUNT

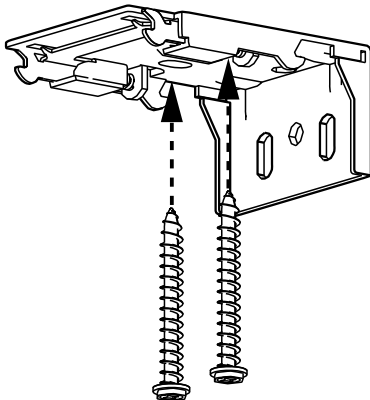


MOTORIZED

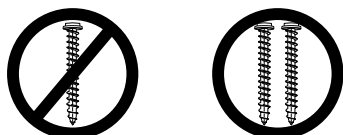
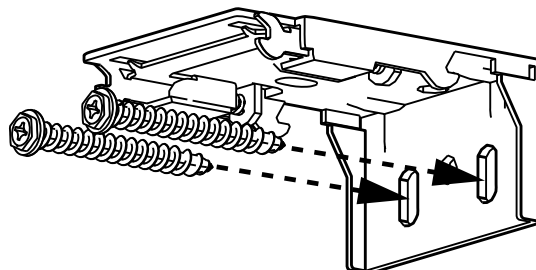
Step 2 Install the Brackets

Use two screws to secure to the mounting surface

INSIDE MOUNT



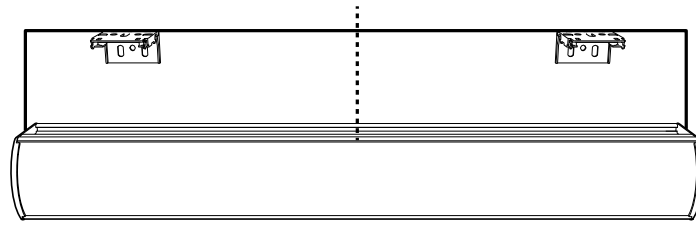
OUTSIDE MOUNT



IMPORTANT: Two screws are needed to attach each installation bracket

Step 3

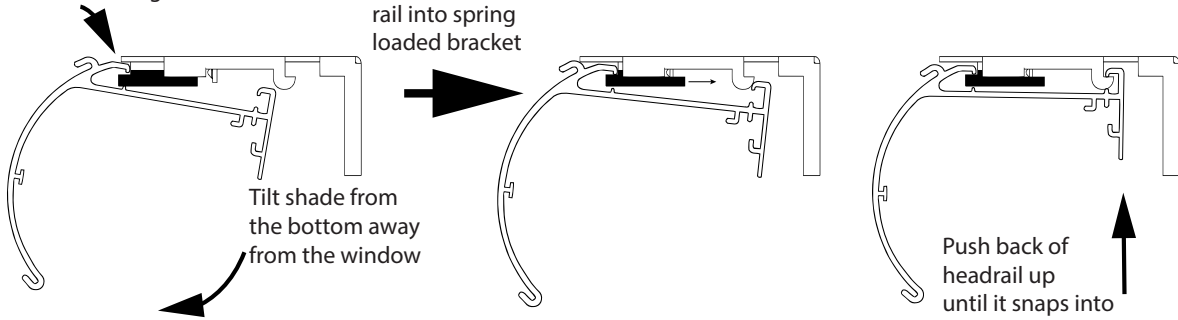
Install the Shade



Center Shade with Window Opening

Rest the front tab of the headrail on the spring loaded tab of the mounting bracket

Using DIRECT force, push headrail into spring loaded bracket



Tilt shade from the bottom away from the window

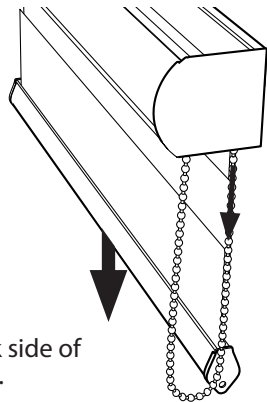
Push back of headrail up until it snaps into place

*headrails shown from side without shade or end caps.

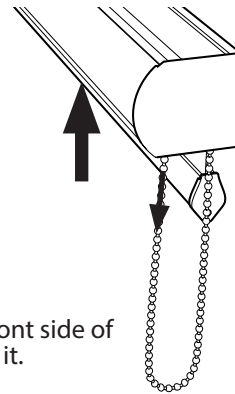
Step 4

Operate the Shade

Clutch

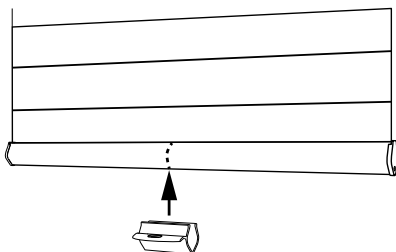


Pull gently on the back side of the chain to lower it.

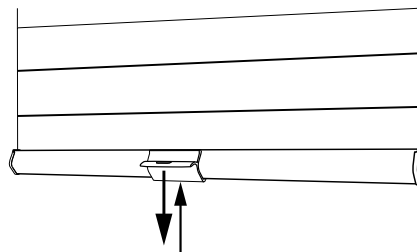


Pull gently on the front side of the chain to raise it.

Accu-Rise



Find the Center of your Bottom Rail
Snap the Handle onto the rail in the center position

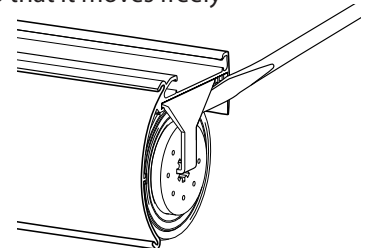


Pull Accu-Rise shade gently from the Handle to lower it.
Push up from center to raise it.

Troubleshooting:

If shade doesn't raise, the roller may be binding on the internal brackets.

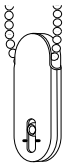
Remove End Caps and gently pry the internal bracket away from the roller so that it moves freely



Step 5

Install Cord Tensioners

Cord Tension Lock

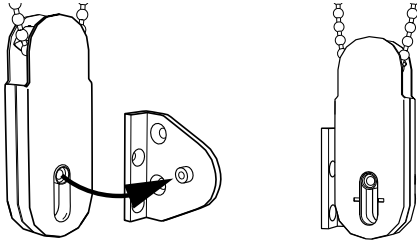


Installers MUST INSTALL Cord Tension Lock Properly

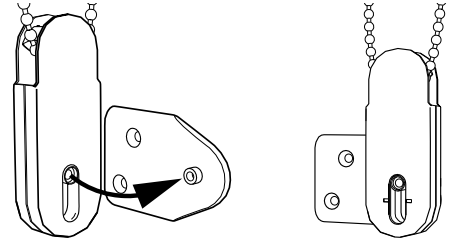
Mark Mounting Position

Lower shade to make sure the Cord Tension Lock is not placed in the path of the bottom rail or fabric

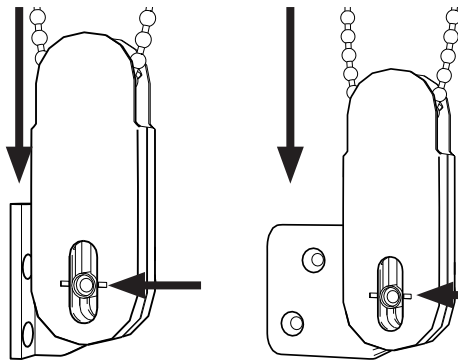
Outside Mount



Inside Mount



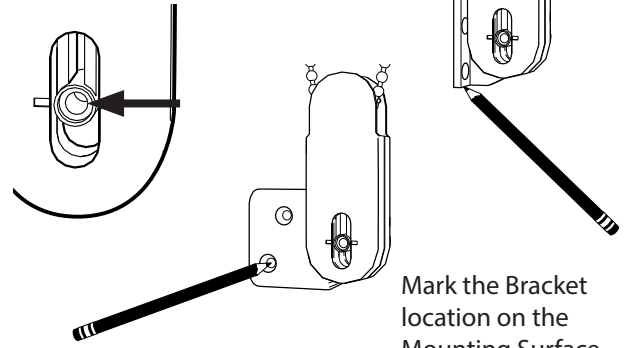
Insert the nub of the Bracket into the Tensioner Center Hole



Pull the Chain taut with the Bracket on the mounting surface

Slide the Bracket and the Tensioner Center down to the Guide Lines on the Cord Tensioner

The Center Hole of the Tensioner must be aligned with the guide lines



Mark the Bracket location on the Mounting Surface

While holding the lock firmly in place, check that the loop can move freely through the Tensioner

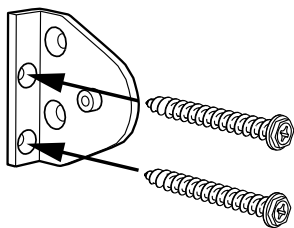
If the Bracket is not Aligned properly:

If the Tensioner locks onto the loop, it is too loose and the bracket and lock should be **moved down**

If the loop does not run freely through the lock, it is too tight and the bracket and lock should be **moved up**

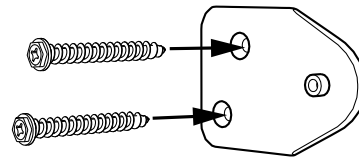
Attach the Bracket to Mounting Surface

Outside Mount



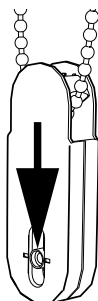
Move Tensioner out of the way and attach to Mounting Surface with the Two Longer Screws provided

Inside Mount



Attach the Cord Tension Lock to Bracket

Pull the Tensioner's spring loaded Slider down to the bracket



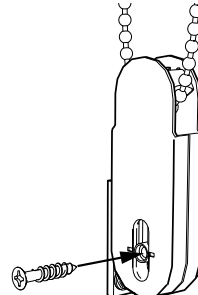
a small tool may be helpful in moving the slider

Make sure the Tensioner's Center Hole is seated on the nub of the bracket

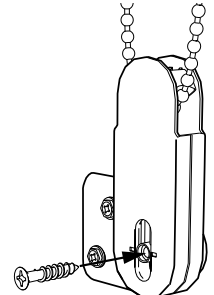
Use the small screw to attach Tensioner

Do not Overtighten

Outside Mount



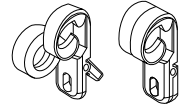
Inside Mount



Step 5

Optional

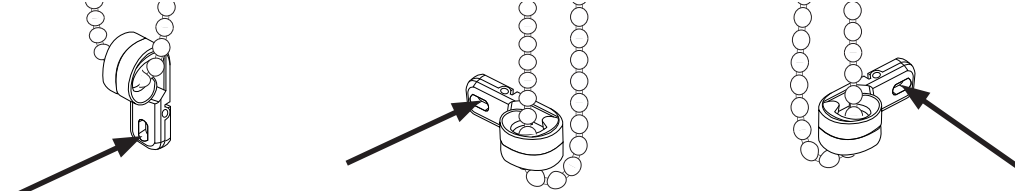
P-Clip Safety Tensioner



Position the Tensioner

Lower shade to make sure the P-Clip is not placed in the path of the bottom rail or fabric

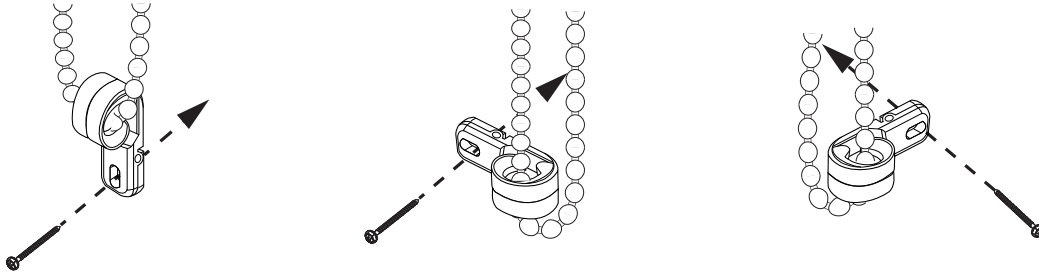
Determine the orientation of the P-Clip Tensioner



With the shade securely installed, pull the chain taut then relax the chain slightly then Mark the location of the P-Clip

Install the Tensioner

Make sure that the cord or chain is taut and moves freely through the Tensioner



Then secure to the mounting surface using the screw provided

IMPORTANT: the Tension Lock must be properly secured to the wall or window frame to reduce a child's access to the chain or cord loops.

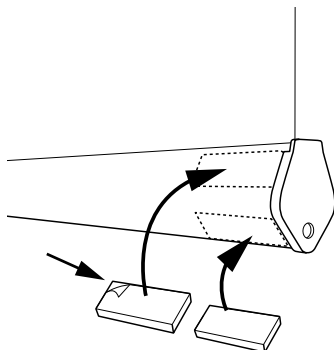
Young children and pets can wrap chains around their necks and strangle themselves.

Step 6

Install Hold Down (standard)

Magnetic

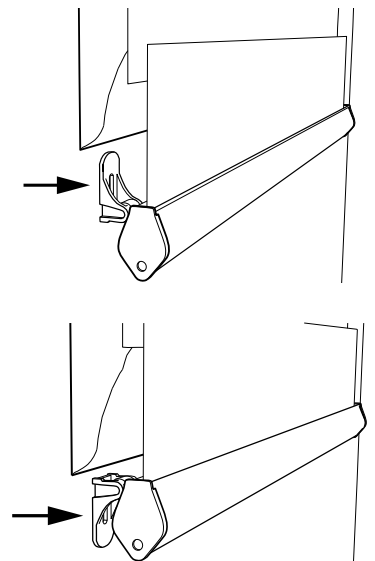
Remove Film from Magnet strips and attach to Top and Bottom of the Rail



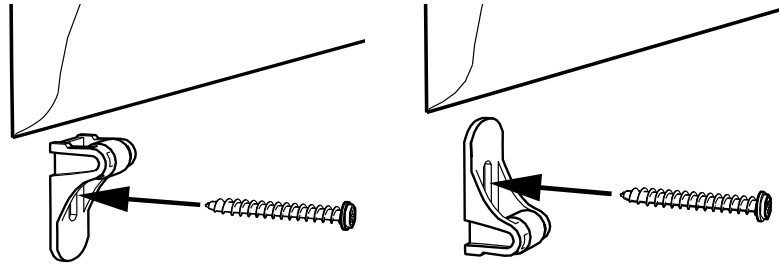
Determine the orientation of the Hold Down Bracket

Lower the shade to the closed position and mark the Bracket location where it attaches to the TOP of the Rail

This allows the vanes to be opened while still attached to the bracket

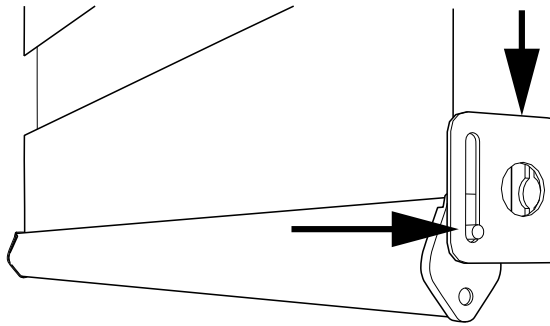


Secure HoldDown to the wall



Step 6 Install Hold Down (optional)

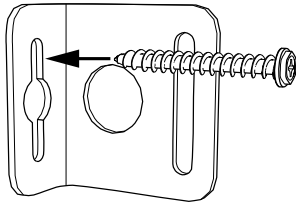
Traditional



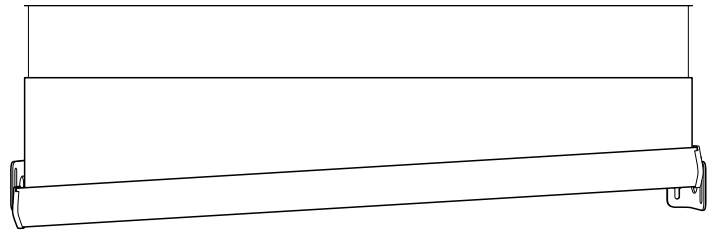
Lower the shade to the closed position

line up the Hold Down bracket where the pin on the Rail is at the bottom of the Hold Down Slot

This allows the vanes to be opened while still in the bracket



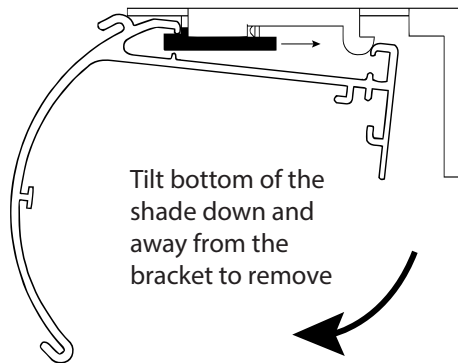
Attach Bracket to mounting Surface



Rotate the bottom rail to get the pins into the brackets

Shade Removal

Use **DIRECT** force to push the shade into the spring loaded tab on the mounting bracket



Tilt bottom of the shade down and away from the bracket to remove