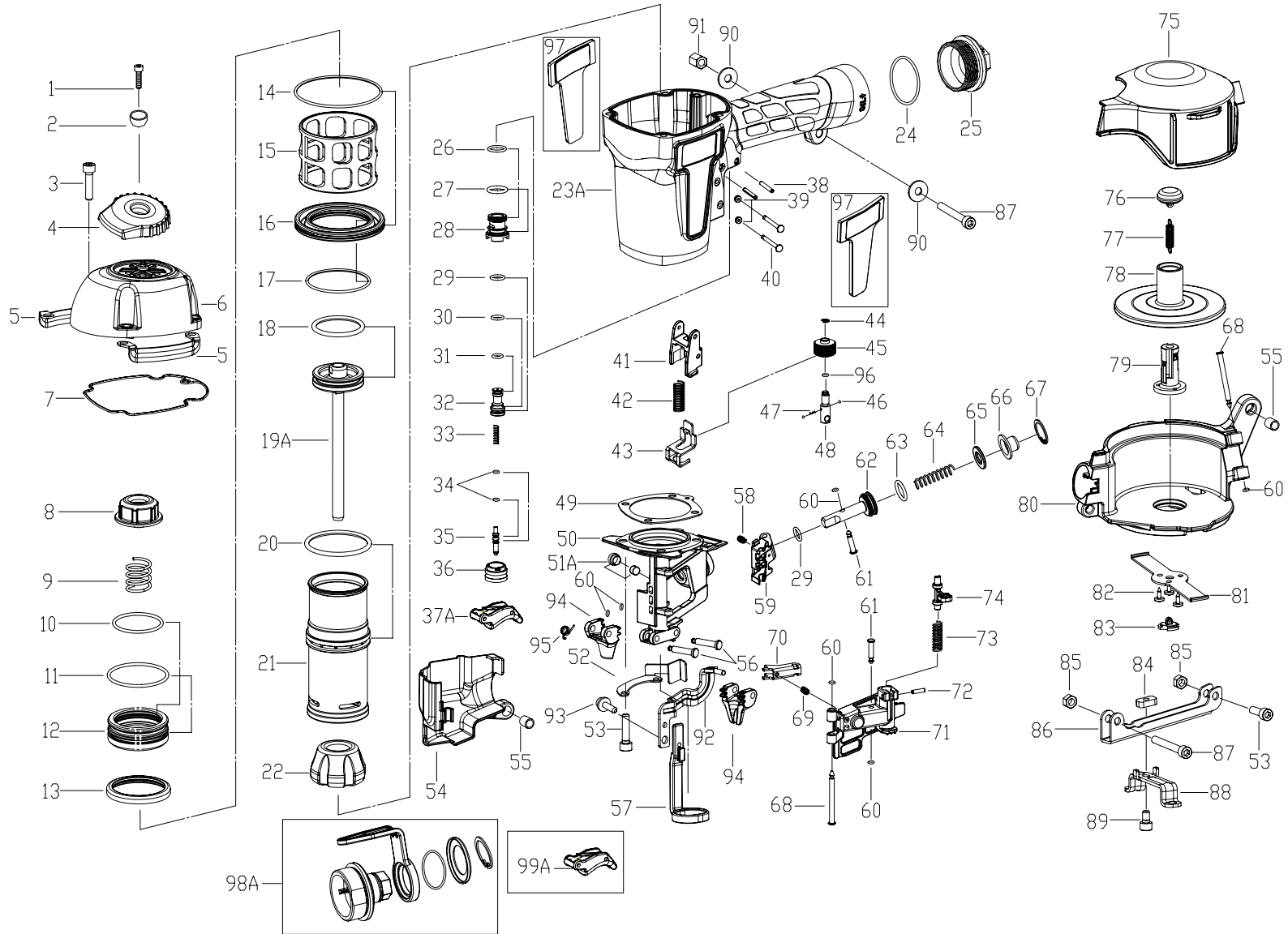


ST4200

EXPLODED VIEW



Schematic applies to tools where the first 4 Serial Numbers are 1108 and higher