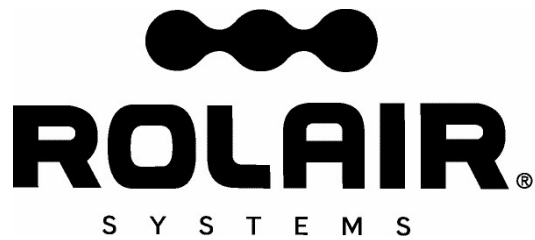


# PORTABLE AIR COMPRESSOR OWNER'S MANUAL

MANUEL D'INSTRUCTION FRANÇAIS – PAGE 16  
MANUAL DE INSTRUCCIONES ESPAÑOLAS – PÁGINA 31

MODEL: 5715K17, 6715K17, 6820K17

SERIAL NUMBER: \_\_\_\_\_



# PORTABLE AIR COMPRESSOR OWNER'S MANUAL

**WARNING**

**COMPRESSOR DISCHARGE AIR MAY CONTAIN HYDROCARBONS AND OTHER CONTAMINANTS! DO NOT USE DISCHARGE AIR FOR BREATHING!**

## PARTS

Genuine ROLAIR® replacement parts are sold nationwide through a network of authorized dealers and service centers. Please contact the dealership where your air compressor was purchased or our factory Customer Service Department if you need help troubleshooting, obtaining parts, or locating an authorized ROLAIR® service representative.

To order replacement parts:

1. Give compressor model number
2. Give compressor serial number
3. Name of part
4. Part number
5. Quantity required

## RECORD OF PERTINENT INFORMATION

Make a permanent record of the model and serial number of your new air compressor here. You'll save time and expense by including this reference information when requesting service or replacement parts.

Place & Date of Purchase		Volts
Model		HZ
Serial #		HP

With the tank gauge at 0 PSI and air line(s) disconnected, close drain valve(s) and record the amount of time it takes to build tank pressure on the space provided. Periodically test your air compressor against this pump-up time to determine if it is operating correctly. If time test is considerably off, contact your local ROLAIR® representative to arrange service.

From 0 to ____ *PSI		
Date	Min	Sec

From 0 to ____ *PSI		
Date	Min	Sec



## TABLE OF CONTENTS

Introduction and Definitions of Safety Warnings	2
Safety Warnings – Risk of Asphyxiation & Bursting	3
Safety Warnings – Risk of Electrocutation, Shock, Explosion & Fire	3
Safety Warnings – Risk of Moving Parts, Burns & Lifting	4
Safety Warnings – Risk of Propelled Objects, Unsafe Operation, and Damage To Compressor or Property	4
Identification of System Controls	5-6
Pre-Start Checklist	7
Operation	8-9
Maintenance	9-11
Troubleshooting	12
Guarantee	13

## INTRODUCTION

Congratulations on the purchase of your new ROLAIR® air compressor!

With over 50 years experience building ROLAIR® air compressors specifically designed for the professional, Associate Engineering Corporation has earned a reputation for providing a product unsurpassed in quality and reliability. We are committed to continuing this tradition by analyzing and adapting to the changing needs and rigorous demands of your industry. You can depend on ROLAIR® because they are built to last.

This manual was compiled for the benefit of the operator. Do not use or allow anyone else to use your air compressor until this manual is read and all safety/operating instructions are understood. By reading and following the instructions contained in this manual, you can achieve years of trouble free service from your new air compressor. If you have any additional safety or operating questions after reading this manual, please contact your distributor or our customer service department. Do not remove or paint over any of the warning decals attached to the compressor.

### Definitions – Safety Warnings

Safety symbols are used throughout this manual to alert you to potentially hazardous situations. The following definitions describe the level of severity for each signal word.



**DANGER:** Indicates an imminently hazardous situation which, if not avoided, WILL result in death or serious injury.



**WARNING:** Indicates a potentially hazardous situation which, if not avoided, COULD result in death or serious injury.



**CAUTION:** Indicates a potentially hazardous situation which, if not avoided, MAY result in minor or moderate injury or damage to the air compressor.



**⚠ WARNING**


The engine exhaust from this product contains chemicals known to the State of California to cause cancer, birth defects or other reproductive harm.

**⚠ WARNING**







Do not start, operate or service machine until you read and understand operator's manual. Failure to do so could result in serious injury.

## SAFETY WARNINGS

READ AND UNDERSTAND ALL SAFETY WARNINGS BEFORE USING AIR COMPRESSOR

Hazard Level	Potential of Hazard	How to Avoid Hazard
 <b>Risk of Asphyxiation</b>	Serious injury or death may occur from inhaling compressed air. The air stream may contain carbon monoxide, toxic vapors, or solid particles.	Never inhale compressed air directly from the pump, receiver, or from a breathing device connected to the air compressor.
	Sprayed materials such as paint, stucco, insecticides, solvents, etc. contain harmful vapors and poisons that may cause serious injury or death if inhaled.	Operate compressor only in a well-ventilated area. Use a respirator device and follow the manufacturer's recommendations for their spray equipment. Keep compressor at least 25 feet away from spray equipment.
	Serious injury or death may occur if the exhaust from gas-powered small engines is inhaled. Engine exhaust fumes contain poisonous, carbon monoxide which is odorless and colorless.	Operate gas-powered compressors only in a well-ventilated area. Avoid inhaling engine exhaust fumes, and never run a small gas-powered engine in a closed building or confined area without adequate ventilation.
 <b>Risk of Bursting</b>	Serious injury or death may occur from an air tank explosion if the air tanks are not properly maintained or if modifications, alterations or repairs are attempted to the air receivers.	Drain air tanks daily or after each use. Never drill into, weld, patch or modify the air tanks. If a leak develops, replace the tank immediately or replace the entire compressor.
	Serious injury or death may occur if modifications are made to the pilot unloader valve, pressure switch, safety relief valve or other components that control the tank pressure.	Never make adjustments to the components that control tank pressure. Do not make alterations to the factory operating pressure settings. Check operation of the safety valve on a regular basis and never operate without a factory approved safety valve.
	Serious injury may occur if accessories or attachments are operated above the manufacturer's recommended pressure ratings, causing them to explode or fly apart.	Do not use air tools or attachments before reading the owner's manual to determine the maximum pressure recommendations. Never exceed the manufacturer's maximum allowable pressure ratings. Do not use compressor to inflate small low pressure objects such as toys.
  <b>Risk of Electrocution or Electrical Shock</b>	Serious injury or death could occur if the air compressor is not properly grounded.	Always plug compressor into a properly grounded outlet which provides correct voltage, proper grounding and adequate fuse protection.
	Electrical shock may occur if compressor is not properly operated.	Never operate air compressor in wet conditions or outdoors when it's raining. Do not allow electric cords to lay in water. Do not operate with damaged power cord or with protective electrical covers removed. Do not touch plug with wet hands. Do not pull on electric cord to disconnect from the outlet.
	Serious injury or death may occur if electrical repairs are attempted by unqualified personnel.	Any electrical repairs or wiring performed on this compressor should only be performed by authorized service personnel in accordance with the National and Local Electric Codes.
  <b>Risk of Explosion or Fire</b>	Serious injury or death may result from normal electrical sparks that occur within the motor and/or pressure switch.	Always operate compressor in a well-ventilated area free of combustible materials, gasoline, flammable solvents or vapors. Always locate compressor at least 20 feet away from work area if spraying flammable materials.
	Serious injury may occur if a fire is caused by overheating due to inadequate ventilation or restrictions to any of the compressors ventilation openings.	Never place objects against or on top of an air compressor. Always operate air compressor at least 18" away from any wall or obstruction. Always operate in a clean, dry and well-ventilated area.
	Serious injury or death may occur from a fire or explosion if spilled gas or vapors come in contact with hot engine parts and ignite.	Never attempt to fill the gas tank while the engine is hot or running. Add fuel outdoors in a well-ventilated area. Do not fill gas tank near lit cigarettes or near other sources of ignition.

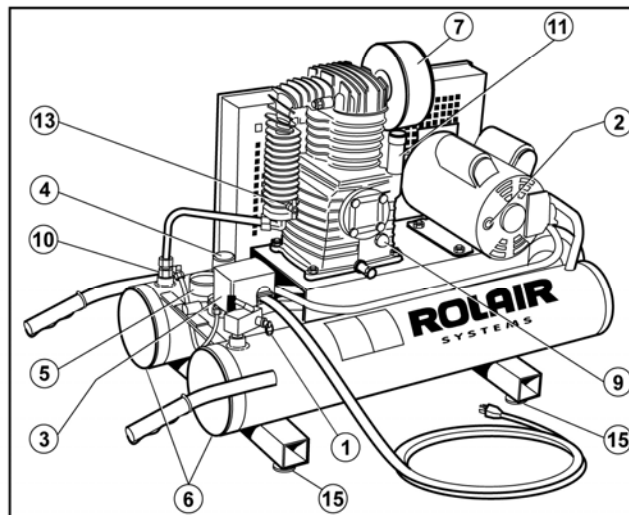
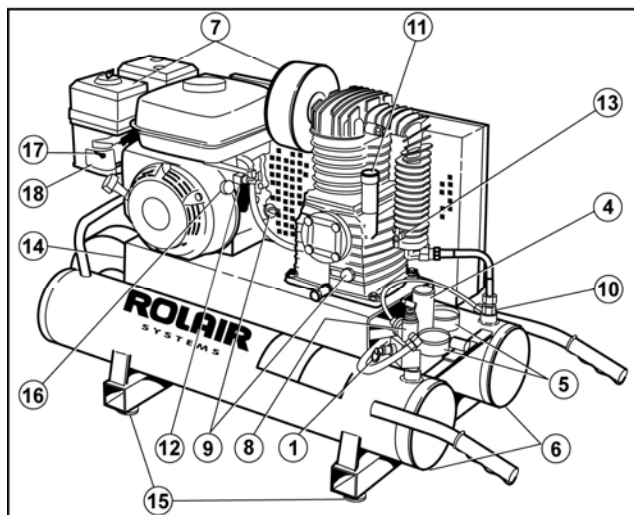
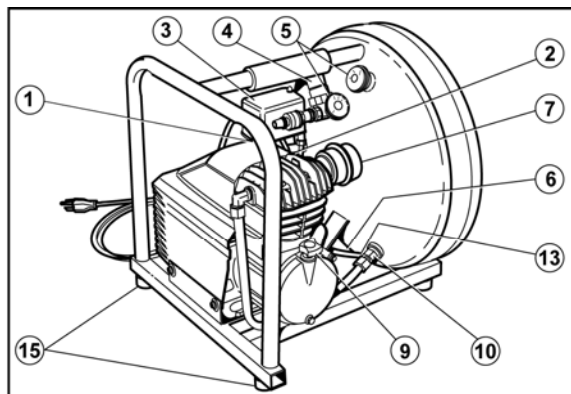
# SAFETY WARNINGS (con't)

 <b>Risk from Moving Parts</b>	<p>Serious injury may occur from moving parts such as belts, pulleys, flywheels or fans if they came in contact with you or your clothing.</p>	<p>Never operate the air compressor without protective belt guards installed. Replace damaged protective covers or guards immediately.</p>
	<p>An electric air compressor with automatic controls can restart at any time and cause bodily injury when least expected.</p>	<p>Always unplug air compressor and drain air tanks completely before attempting any repairs or performing maintenance. Never allow children or adolescents to operate air compressor.</p>
	<p>Serious injury may occur if repairs are attempted with damaged, missing or removed protective guards, shrouds or missing covers.</p>	<p>All repairs to the air compressor should be made only by authorized or trained service personnel.</p>
 <b>Risk of Burn</b>	<p>Serious burn injuries could occur from touching exposed metal parts such as the compressor head, copper/braided discharge lines and engine exhaust muffler during operation, and even after compressor is shut down for sometime.</p>	<p>Never touch any of the exposed metal parts during operation and for an extended period of time after the air compressor has shut down. Do not attempt maintenance on the unit until it has been allowed to completely cool.</p>
 <b>Risk of Injury from Lifting</b>	<p>Serious injury can result from attempting to lift an object that is too heavy.</p>	<p>Always obtain assistance from others before attempting to lift any object that is too heavy for one person.</p>
 <b>Flying Objects</b>	<p>Serious injury may occur from loose debris being propelled at high speeds from the compressed air stream.</p>	<p>Always wear OSHA required "287" safety glasses to protect the eyes during operation of the air compressor. Never point the air stream or tools at any point of your body, other people or animals.</p> <p>Always turn off the air compressor and drain tank pressure completely before attempting maintenance or attaching air tools.</p>
 <b>Warning</b> <b>Risk of Unsafe Operation</b>	<p>Serious injury or death may occur to you or others if air compressor is used in an <u>unsafe</u> manner.</p>	<p>Review and understand all instructions and warnings in your owner's manual. Know how to stop the air compressor. Do not operate until you are thoroughly familiar with all of the controls. Do not operate the compressor if fatigued or under the influence of alcohol or drugs. Stay alert while operating the compressor and pay close attention to the task at hand.</p>
 <b>Caution</b> <b>Risk of Damage to Air Compressor or Property</b>	<p>Failure to transport or operate the air compressor properly may result in major repair expenses. Oil leaks will damage carpets, painted surfaces, flooring and other items.</p>	<p>Check oil levels daily and maintain proper oil levels. Always run compressor in a level, secure position that keeps it from tipping or falling during use. Do not operate without an air filter or in a corrosive environment.</p> <p>Always transport in a level position and use protective mats to keep truck beds clean, etc. Check drain bolts regularly and do not overfill machinery with oil.</p>

Please note that this product may not be equipped with a spark arresting muffler. If the compressor is operated around flammable materials or agricultural crops, brush, forests, and grasslands an approved spark arrester must be installed, maintained and in good working order. An approved spark arrester is legally required in the State of California under sections 4442 and 4443 of the California Public Resources Code Statute section 130050.

This product contains chemicals, including lead, known to the state of California to cause cancer, birth defects, and other reproductive harm. Always wash hands after handling this product.

# SYSTEM CONTROLS



**(1) SAFETY-RELIEF VALVE** Every ROLAIR® air compressor is equipped with a safety-relief valve which is designed to discharge tank pressure at a predetermined setting when a systems failure occurs. Check the safety valve periodically by pulling on the ring only when the tank pressure is completely drained. The spring loaded valve should move freely within the safety valve body. An inoperable safety valve could allow an excessive amount of tank pressure to build causing the air tank to catastrophically rupture or explode.

 **Do not tamper with or attempt to eliminate the safety relief valve.**

**(2) MANUAL OVERLOAD / MOTOR RESET** Every ROLAIR® electric air compressor is built with manual overload protection. If the motor overheats, the overload sensor will *trip* the reset button to protect the motor. If this occurs, please allow the motor to cool for approximately five minutes. Locate and push in the reset button. The use of an undersized or excessive length of extension cord may be the cause of overheating. Re-evaluate the power source and gauge/length of extension cord being used. (Refer to chart on page 8)

**(3) PRESSURE SWITCH** Most electric air compressors are operated by the use of a pressure switch. Always make sure the lever is in the "Off" position before plugging in the power cord. By moving the lever to the "On/Auto" position, the compressor will start and stop automatically within the settings of the pressure switch which are typically 105 – 130 PSI. Do not attempt to stop the compressor by unplugging the power cord. To stop, simply move the lever to the "Off" position. The lever operates a relief valve that dumps off head pressure and allows the compressor to restart without load the next time it is used.

**(4) REGULATOR – WORKING PRESSURE** To adjust the output/line pressure, simply lift up on the regulator adjustment knob and rotate clockwise to increase working pressure or counterclockwise to decrease. Push adjustment knob back down to lock in setting. Never exceed the manufacturer's maximum allowable pressure rating of the tool being used or item being inflated.

**(5) PRESSURE GAUGE(S)** Typically, most compressors are designed with a gauge to measure tank or storage pressure and another gauge attached to the regulator that indicates output or working pressure.

**(6) DRAIN VALVE(S)** One or more drain valves are installed to allow moisture to be drained on a daily basis from the compressor storage tank(s). Open drains carefully and slowly to prevent scale, rust, or debris from becoming expelled at a high rate of speed.

**(7) AIR INTAKE FILTER** Air intake filters are installed to prevent foreign matter from entering the engine or compressor pump. Check intake elements on a regular basis and either clean or replace as needed. Warm soapy water or low compressed air may be used to clean the elements. Check intake canisters or elbow components for cracks or broken seals and replace if structural problems are found.



# SYSTEM CONTROLS

(con't)

**(8) PILOT-UNLOADER VALVE** A pilot-unloader valve is used on all gas-powered units and can be used on electric air compressors to operate in a continuous manner. When the storage tank reaches the top pressure setting of the pilot valve, the air being compressed is discharged to atmosphere instead of into the storage tank. When the tank pressure drops to the low pressure setting of the pilot valve, the compressed air will be redirected to the air tank. Do not attempt to replace the pilot valve without first draining the tank pressure completely. See Figure 3 for adjustment and fine-tuning instructions. Do not adjust above the following factory recommendations.

Classification	Pressure Setting
Direct Drive Compressor	105-130 PSI
I-Stage Compressor	110-135 PSI
II-Stage Compressor	130-150 PSI

**(9) SIGHT GAUGE/DIPSTICK** Prior to daily operation, make a habit of checking the oil level of the compressor pump and engine (if compressor is gas powered). Every direct-drive hand-carry air compressor has a dipstick to help check and maintain the proper oil level. The dipstick also functions as a crankcase vent. Never operate a direct-drive unit without the factory-supplied dipstick. Our belt-driven air compressors are equipped with a sight gauge to make the daily task of checking the oil level easier. Always maintain the oil level to read 2/3 full on the sight gauge.

**(10) CHECK VALVE** Every ROLAIR® air compressor is built with a check valve to seal off and maintain tank pressure after the top end pressure setting of pilot valve or pressure switch is reached. The check valve works in conjunction with the pressure switch relief valve to provide a loadless start for the compressor system. A quick burst of air escaping from the pressure switch relief valve after an electric unit reaches top end indicates the check valve is working properly. If the compressor has a mysterious leak after stopping that cannot be traced elsewhere, the check valve may require servicing/replacing.

**(11) BREATHER/OIL FILL PLUG** All reciprocating air compressor pumps are built with a crankcase vent to relieve the pressure that is created by the downward movement of the piston in the pump cylinder. Our direct-drive air compressors vent the crankcase pressure through special ports in the dipstick. Our belt-drive units vent through the oil-fill plug. Never operate the air compressor without the dipstick or oil-fill plug.

**(12) AUTOMATIC-IDLE CONTROL** Every ROLAIR® gas-powered air compressor is built with an engine idle control kit that automatically decreases the engine speed when the top end pressure setting of the pilot unloader valve is reached. The top RPM setting of the engine is factory set for maximum performance and service life. Do not alter the factory top RPM setting. The engine idle speed is factory set and controlled by a black plastic Philips head screw on the carburetor. A slight increase to the idle speed setting may be required when operating in colder temperatures. Turn screw clockwise in 1/4 turn increments to increase the idle speed. If the idle speed setting is too low, premature fouling of spark plug will occur.

**(13) COLD-START VALVE** Most ROLAIR® direct-drive air compressors are built with an automatic cold-start valve that allows the motor/pump to warm up before being subjected to tank pressure. Our belt-driven portable units have a manual drain valve installed on the pump aftercooler to assist with cold weather starting. Open drain valve and allow the motor and pump to run *unloaded* for a minute to warm up. Close the drain and repeat the procedure if the motor or engine continue to struggle.

**(14) SCHMIDT BELT-TIGHTENING DEVICE (FOR GAS UNITS ONLY)** Every ROLAIR® gas-powered belt-driven portable air compressor has a unique system for maintaining proper belt tension. Simply loosen the 1/2" locknuts (only until washers beneath spin freely) that secure the engine and rotate the fine thread bolt located on the wheel end of the base plate clockwise until the desired belt tension is achieved. (See drawing in section on operating instructions for proper tension) Re-tighten 1/2" locknuts to secure engine and maintain desired belt tension setting.

**(15) VIBRATION DAMPENER(S)** The rubber pads installed beneath every portable ROLAIR® tank assembly are very important to the proper operation of the air compressor. They provide protection from vibration that left unchecked could cause damage to many system components.

**(16) ENGINE KILL SWITCH** A kill switch is installed to easily stop the engine. Do not attempt to move the throttle lever (as described in the Honda owner's manual) when stopping the engine. The engine throttle lever is factory set and locked down at a top RPM setting that will provide maximum performance and service life for the complete air compressor system. The kill switch must be moved to the "On" position prior to pulling the recoil rope assembly to start the engine.

**(17) ENGINE CHOKE** Moving the choke lever completely to the left (closed position) will help start a cold engine. Also see instructions for cold-start valve (Item #13). After start up, the choke lever must be moved completely to the right (open position) for the engine to operate properly. Fouling of spark plug and excessive internal carbon build up will occur if engine is operated with choke lever even partially closed.

**(18) FUEL SHUT-OFF VALVE** The fuel shut-off valve should only be moved to the "Open" position (completely to the right) when the engine is being operated. Always stop the flow of fuel by moving the shut-off valve completely to the left when the engine is not being operated. Do not move or transport the air compressor with the fuel valve in the open position.

## PRE-START CHECKLIST

Read the owner's manual thoroughly. Make sure that you completely understand all of the safety warnings, system controls and instructions provided before attempting to operate this air compressor. Every effort has been made to provide you with the information needed to obtain many years of reliable and trouble-free service out of your new air compressor. It is your responsibility to operate the air compressor properly. To obtain the longest possible service life from your air compressor you must always keep the following instructions in mind.

1. **ALWAYS OPERATE THE COMPRESSOR IN A LEVEL POSITION**

All splash-lubricated pumps have a dipper on the bottom of the connecting rod that must remain submerged in the oil bath. Operation at more than a 10 degree angle will cause the pump to seize and void the product warranty

2. **OPERATE IN A CLEAN, DRY AND WELL VENTILATED AREA**

Allow at least 18" behind the belt guard for proper cooling of pump from flywheel blast. Do not operate in the rain or in areas of standing water. Never operate in an area where other gases, fumes or vapors are present which may become explosive when compressed. Do not operate compressor in an enclosed area.

3. **CHECK OIL LEVEL DAILY AND CHANGE AT REGULAR INTERVALS**

Refer to the maintenance section of this owner's manual for the correct type/weight of oil to use and how often the oil should be changed. Check oil levels daily.

4. **INSPECT/CLEAN/CHANGE INTAKE ELEMENTS ON A REGULAR BASIS**

The ingestion of dirt into the pump and engine is the primary cause of premature wear. Pay special attention to the intake filters. Check intake filters daily.

5. **USE LONGER, PROPERLY SIZED AIR HOSE RATHER THAN EXTENSION CORDS**

If an extension cord must be used, please refer to the chart below for the proper gauge and maximum length that can be used. The use of inadequately sized air hose will also lead to frictional pressure drops that could affect the proper performance of your air tools.

6. **DO NOT USE A GENERATOR AS THE POWER SOURCE**

Air compressors use inductive motors that require 3-5 times the full-load amp draw to properly start. Most generators will not provide the wattage needed to properly start this type of electric motor.

7. **CHECK TENSION OF BOLTS, BELTS, AND HARDWARE ON A REGULAR BASIS**

Operation of any equipment with loose bolts and/or fittings will lead to excessive vibration and the premature failure of the compressor system control components.

8. **MAINTAIN RUBBER VIBRATION PADS**

Excessive vibration is a major cause of premature compressor failure. Always maintain the rubber vibration pads located beneath tank assembly. Operation without them will void your warranty.

9. **DRAIN MOISTURE FROM AIR TANKS DAILY**

Water is a natural byproduct of compressed air. Drain air tank(s) after each use to combat internal tank corrosion. Keep drain valve(s) closed if storing compressor for any length of time.

### **ELECTRIC EXTENSION CORD TABLE**

Minimum Wire Size		
Extension Cord Length	Motor 1/2 and 3/4 HP	Motor 1, 1-1/2, and 2 HP
Up to 25 ft.	14 Ga.	12 Ga.
25 – 50 ft.	12 Ga.	10 Ga.
50 – 100 ft.	10 Ga.	8 Ga.

10. **DO NOT ALTER FACTORY RPM SETTINGS ON GAS-POWERED COMPRESSORS.** Engine throttle arm is factory set and locked into position at RPMs that will provide maximum performance, fuel consumption and service life. Alterations to this setting will void your warranty.



## OPERATION

**WARNING** — Your safety and the wellbeing of others during the operation of every ROLAIR® compressor is our main concern. Do not operate or permit anyone else to operate your air compressor until the information contained in this manual is read and completely understood. Please contact your distributor or our customer service department if you have any questions on the proper use of your air compressor.

### **DIRECT-DRIVE ELECTRIC**

Establish that the air compressor is ready to operate by reviewing the topics and information provided in the "Pre-Start Checklist" section of this manual. Slowly open tank drain to remove any condensate that has accumulated and keep drain open for a few seconds after starting to warm up motor/pump assembly. Make sure the pressure switch lever is in the "Off" position before plugging power cord into a properly grounded outlet. Move pressure switch lever to the "On/Auto" position to build and automatically maintain top end tank pressure setting. Rotate regulator adjustment knob counterclockwise until the gauge attached reads 0 PSI before attaching air hose and accessory. Set working pressure by rotating regulator adjustment knob clockwise and lock in working pressure according to specifications provided by the tool manufacturer. Always use the pressure switch "On(Auto)/Off" lever to start or stop the air compressor. **Never** stop the compressor by unplugging it from the power source. Store compressor in a warm/dry location and perform maintenance as indicated in manual.

### **BELT-DRIVE ELECTRIC**

#### **START/STOP OPERATION:**

Follow same procedures described above for use of direct-drive electric compressors. Open drain valve located on pump aftercooler for cold starting purposes. An electric belt-driven motor should not be subjected to more than 15 starts per hour. Consult your dealer or any authorized ROLAIR® service center for information on a conversion kit if you experience nuisance tripping of the motor overload due to an excessive amount of motor starts per hour.

#### **CONSTANT-SPEED OPERATION:**

Constant speed or continuous-running operation should be used during periods of heavy use to extend motor life and prevent overheating. **If your machine is built to only operate continuously, special care must be taken to safely start and stop the machine. Always shut off the power to the electrical outlet at the main breaker or optional on/off switch before plugging in or unplugging the power cord.** We also highly

recommend complete draining of storage tank(s) and opening of aftercooler drain valve prior to starting, especially when operating in cold temperatures. **Never stop the compressor by pulling the plug from the outlet. Use the breaker or optional on/off switch to shut off the power to the outlet first.**

#### **DUAL-CONTROL OPERATION:**

Dual controls allow an easy transition between start/stop and continuous-running operation. See figure 1 for instructions to switch operation from start/stop to constant speed. Always flip the lever on the pressure switch to the "off" position before plugging in or unplugging the power cord.

#### **DUTY CYCLE:**

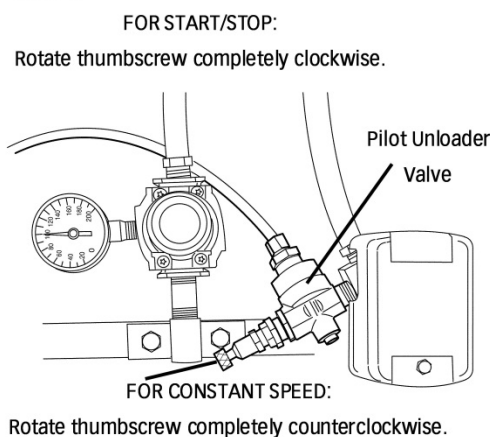
All ROLAIR® belt-driven air compressors are equipped with S1 or 100% duty cycle motors and pumps. Given proper ventilation and electrical power, your ROLAIR® compressor is capable of operating continuously when set up for constant speed operation. However, an excessive amount of starts per hour may generate enough heat to trip the motor overload. Please contact our factory Customer Service Department if overload problems repeatedly occur.

Several ROLAIR® direct-drive machines, Models FC1500HBP2, FC1500HS3 and JC10, are rated for 70% duty cycle. If subjected to continuous operation the internal overload will shut down the motor and only restart when sufficient cooling has occurred.

### **GAS POWERED**

Refer to item numbers 12, 16, 17 & 18 in the "System Controls" section of this manual for information on the engine automatic idle control, kill switch, choke and fuel shut-off valve. Also note the engine throttle arm is locked into a top RPM setting that will provide maximum service life and does not need to be moved to start or stop the machine. Additional instructions can be found in the engine owner's manual. Use the drain valve located on the pump aftercooler or intercooler for cold-starting purposes. Take additional care to keep dirt/debris from entering the fuel tank or obstructing the air flow through the engine or past the pump. Make sure the air flow to the regulator is completely closed (gauge attached reads 0 PSI) before attaching air hose and accessory. A slight *hissing* noise caused by the air flow being directed to atmosphere during engine idle is normal. Store compressor in a warm/dry location and perform maintenance as indicated in your manuals.

Figure 1



# OPERATION

(con't.)

## High-Altitude Operation:

Due to a decrease in atmospheric pressure air compressor pumps produce less CFM at higher elevations. As a rule of thumb the output will decrease approximately three percent per 1000 feet of elevation. Also, because air at higher elevations is less dense and does not cool as well, electric motors cannot be subjected to the full nameplate service factor amp rating and may need to be upgraded to avoid repeated overheating.

Direct drive or hand-carry compressors built with cold-start valves may need to be modified when operated in higher elevations. Carburetors on gas-powered air compressors may also need to be rejetted to perform properly at higher elevations. Contact our factory Customer Service Department if your normally reliable air compressor fails to operate correctly at higher elevations.

## MAINTENANCE

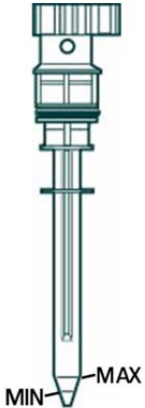
Your new air compressor represents the finest engineering and construction available. Even the best machinery requires periodic maintenance. Please stick to the maintenance schedule and consider the suggestions that follow to keep your compressor in peak condition.

**NOTE:** Always unplug or shut down your compressor and drain the air tanks completely before attempting any type of maintenance. Wait for compressor to cool before servicing.

**IMPORTANT:** Replace the oil after the first 50 hours of operation.

### MAINTENANCE HINTS:

- 1) Use a soap/water solution to check for air leaks.
- 2) Never clean filters with a flammable solvent.
- 3) Retorque head bolts only after pump has cooled.
- 4) Move motor 1/4" and roll belts back on to increase belt tension on electric units.
- 5) Never weld on air tank(s).
- 6) Use heat to loosen Loctite seal on drain valves, engine pulleys, and flywheels before attempting to remove.



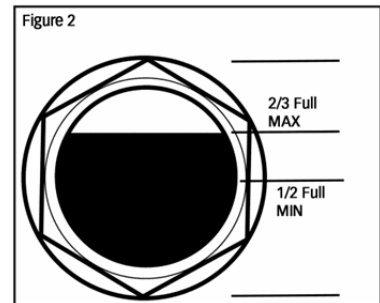
## LUBRICATION

Prior to each use, make a habit of checking the pump oil level. Most direct-drive air compressors have a dipstick with casting marks that indicate the minimum and maximum acceptable levels of oil. Our belt-driven pumps have a sight gauge, located on the outside of the crankcase, to make the task even easier. Always maintain the oil level at the maximum mark on the dipstick or to 2/3 full in the sight gauge

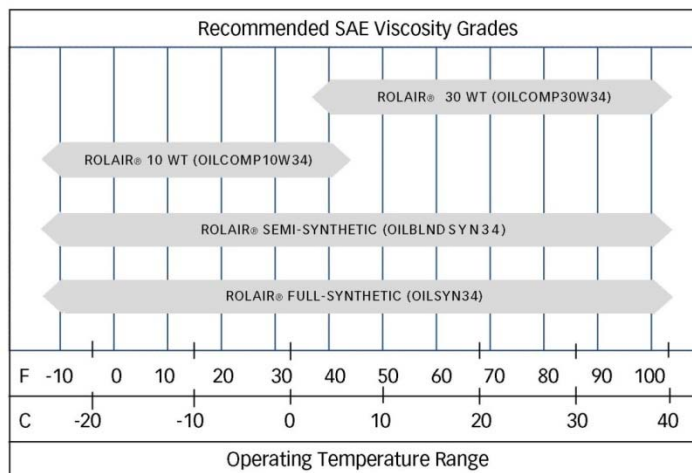
Do not operate the pump with an inadequate or excessive amount of oil. The cost of failures which occur due to incorrect oil levels will not be covered under warranty.

**DO NOT USE A DETERGENT OIL!**

**NOTE: Unit must be level when in operation**



## OIL CHART



- ROLAIR® Standard 10 WT or 30 WT Should be changed every 200-400 hours after the break-in period
- ROLAIR® Semi-synthetic should be changed every 1,000 - 2,000 hours
- ROLAIR® Full-synthetic should be changed every 2,000 - 4,000 hours

# MAINTENANCE (continued)

## MAINTENANCE SCHEDULE

Recommendation	Daily	Weekly	Monthly	Quarterly
Check Oil Level	X			
Drain Moisture from Tank(s)	X			
Inspect Air Filter(s)	X			
Check for Unusual Noise or Vibration	X			
Inspect Belt Guard	X			
Check for Air or Oil Leaks	X			
Clean Exterior of Air Compressor		X		
Check Condition of Vibration Pads		X		
Tighten/Retorque Bolts		X		
Check Belt Tension		X		
Check Operation of Safety Valve		X		
Change Compressor Oil			X	
Clean/Change Air Filter			X	
Perform Pump Up Time Test			X	
Check Operation of System Controls				X
Check Air Tanks for Dents/Leaks				X

## TORQUE CHART (INCH/LB)

Pump Type	Direct Drive	K12	K17	K18	K24	K28	K30
Head Bolts	96	243	243	243	243	347	347
Cylinder Bolts	120	182	182	182	182	330	330
Bearing-Carrier Bolts	N/A	130	130	130	130	130	130
Connecting-Rod Bolts	N/A	121.5	121.5	121.5	121.5	121.5	173.6
Flywheel	N/A	243	382	382	382	477	477

Determine pump type using suffix of Model number (Example: 4090HK17 uses K17 pump)

## PILOT VALVE ADJUSTMENT

### RESETTING DIFFERENTIAL (2)

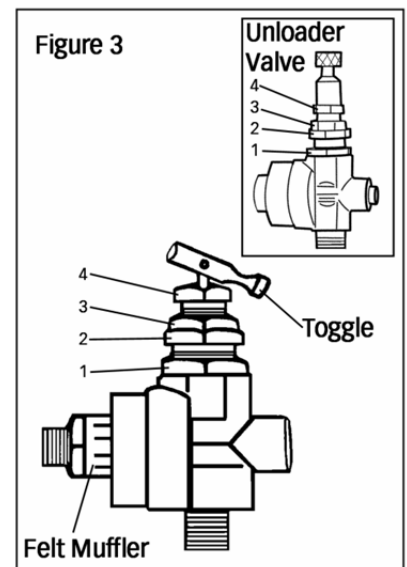
Make sure the top toggle lever is positioned as shown. (See Figure 3). Loosen locknut (1) by turning counterclockwise several full turns. Gently turn differential setting (2) clockwise only until the internal rod makes contact with the steel ball inside. After making contact, turn differential (2) counterclockwise 1/4 turn. Secure position by tightening locknut (1) and proceed to top end setting.

### TOP-END SETTING (4)

Loosen locknut (3) by turning counterclockwise several full turns. (4) is the top end setting. Turning (4) clockwise will increase the top end pressure setting. Turning counterclockwise will decrease the top end pressure setting. Begin at a low setting by turning counterclockwise one full turn. Proceed to fine tuning instructions.

### FINE-TUNING INSTRUCTIONS

Start engine/motor and observe tank pressure gauge. As tank pressure approaches 100-130 P.S.I.G., the pilot valve should begin unloading at felt muffler and cause gas engine to slow down to idle speed. If pilot valve does not unload as tank pressure approaches 130 P.S.I.G., slowly turn top end setting (4) counterclockwise until pilot starts to unload prematurely (at 100 P.S.I.G.), turn top end setting (4) clockwise in 1/4 turn increments, tap down on the internal rod at toggle attachment and repeat until desired top end setting is reached. If pilot valve begins to rattle (sputter), fine tune differential setting (2) 1/16 turn in either direction until rattling stops. After fine tuning, secure setting by turning locknuts (1 & 3) clockwise until tight. Hold setting (2 & 4) in place while turning locknuts to secure.



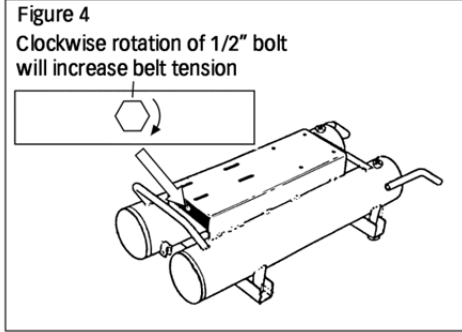
# MAINTENANCE

(con't)

## SCHMIDT BELT-TIGHTENING DEVICE (FOR GAS UNITS ONLY)

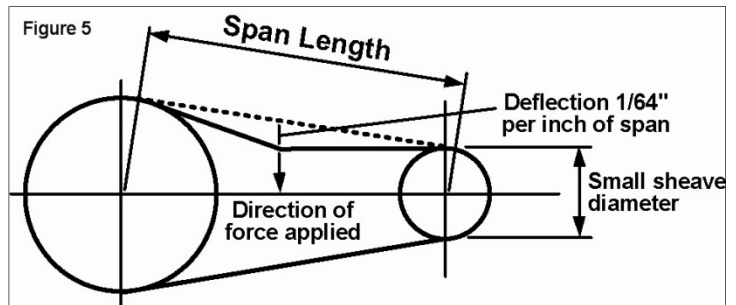
To tighten belt tension, proceed as follows:

1. Loosen locknuts for engine hold-down bolts only until washers beneath spin freely.
2. Rotate 1/2" adjusting bolt clockwise until desired tension is reached. (See Figure 4).
3. Retighten locknuts to secure engine.



### DRIVE PULLEYS

Drive pulleys must be properly aligned and drive belt tension set to specification. Improper pulley alignment and belt tension can cause motor overloading, excessive vibration and premature belt and/or bearing failure. (See Figure 5).



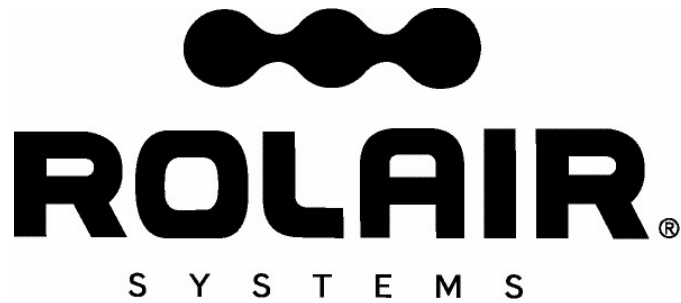
GASOLINE ENGINE RPM SETTINGS			
Model	Top RPM	Idle RPM	Pump RPM
4090 Series	2950	1900	1025
1040 & 2040 Series	2775	1900	1175
6590 Series	3150	1900	1125
8422 & 8230 Series	3000	1900	900

**NOTE:** Engine RPM's (High - Low Settings) are factory set for maximum efficiency. Adjusting RPM's above factory specification will void the warranty.

## TROUBLESHOOTING

**WARNING** - Make sure you completely understand all of the safety warnings and operation of each system control component before attempting any maintenance or repair. Always drain the tank pressure completely, make sure the power cord is unplugged, and unit has time to cool before performing any maintenance or service operations.

<b>PROBLEM</b>	<b>CAUSE</b>	<b>SOLUTION</b>
Pump is slow to build tank pressure	Loose/slipping belt	Adjust belt tension
	Excessive leaks in system	Correct air leaks
	Blown gasket	Replace head gaskets
	Broken reed valve	Replace reed valves
	Obstructed intake filter	Clean or replace intake element
	Leaking regulator	Replace regulator
	Defective pilot valve	Replace pilot valve
Excessive oil consumption	Too much oil in crankcase	Drain to proper level
	Improper weight of oil	Replace with proper oil
	Obstructed crankcase vent	Replace dipstick or oil fill plug/crankcase vent
	Dirty/plugged intake filter	Clean/replace intake filter
	Worn piston rings	Take unit in for service
	Scored cylinder	Take unit in for service
Knocking noise	Loose pulley or flywheel	Tighten appropriate parts
	Loose belts	Adjust belt tension
	Internal pump problem	Take unit in for service
Overheating compressor	Poor ventilation	Relocate compressor
	Improper pump rotation	Contact an electrician
	Internal pump problem	Take unit in for service
Electric motor dead, will not even hum	Thermal overload tripped	Locate and push reset button
	Reset physically broken	Replace overload/reset
	Loose motor leads or electrical connection	Locate and correct loose electrical connection(s)
	Short in power cord	Replace power cord
Motor trips overload/reset button	Motor is starting/stopping excessively	Install constant speed or dual control kit
	Overload is defective/weak	Replace overload
	Improper gauge of extension cord	Use longer lengths of air hose or heavier cord
	Stripped or poorly tightened motor thru bolts	Retighten or replace stripped thru bolts
	Cracks in end bell or housing	Take unit in for service
Gasoline engine is hard to start	Fouled, incorrect, or improperly gapped spark plug	Install proper spark plug after gapping to factory specs
	Improper engine oil level	Fill to top of threads for oil plug
	Improper weight of pump or engine oil	Change to proper weight of oil for operating temperature
	Improper or old gas	Take unit in for service



## Guarantee

Associate Engineering Corporation warrants that all ROLAIR® compressors will be free of defects in material and workmanship for a period of twelve months from the date of initial retail purchase, or eighteen months from the date of manufacture, whichever may occur first.

Should any failure to conform to this warranty be reported to the company within said period, the company shall, upon purchaser shipping the compressor to our plant transportation prepaid, correct such nonconformity by suitable repair or, at its option, furnish a replacement part F.O.B. our plant.

Associate Engineering Corporation shall not be liable for any unauthorized repairs, replacements, adjustments to the compressors, or the costs of labor performed by the purchaser.

**This warranty is expressly in lieu of all other warranties expressed, implied or statutory (including, but not limited to, warranties of merchantability and fitness for purpose) and of any other obligations, and/or liabilities on the part of Associate Engineering Corporation. Associate Engineering Corporation neither assumes nor authorizes any other person to assume for it any other obligations or liability in connection with or with respect to any compressor.**

Associate Engineering Corporation shall in no event be liable neither for any consequential, incidental or special damages nor for the improper selection of any compressor for a particular application.

## Quality

Associate Engineering Corporation is devoted to continual quality control and thorough research of the products we build. It is our creed to give you, the user, all of the experience and engineering available in the production of every piece of equipment we produce.

Our line covers the complete needs of today's varied air requirements. Rely on ROLAIR® for all the newest and finest features that are available for the modern compressor.



## COMPRESSEUR D'AIR PORTATIF MANUEL DE L'UTILISATEUR

### PIÈCES

Les pièces de rechange d'origine ROLAIR® sont vendues à l'échelle du pays par l'intermédiaire d'un réseau de concessionnaires et de centres de services agréés. Veuillez communiquer avec le concessionnaire où le compresseur d'air a été acheté ou le Service à la clientèle de l'usine pour de l'aide en matière de dépannage, obtenir des pièces ou localiser un représentant du service autorisé par ROLAIR®.

Pour commander des pièces de rechange :

6. Donner le numéro de modèle du compresseur
7. Donner le numéro de série du compresseur
8. Nom de la pièce
9. Numéro de pièce
10. Quantité requise

### DOSSIER D'INFORMATION PERTINENTE

Consigner ici le modèle et le numéro de série de votre nouveau compresseur d'air. Vous économiserez temps et argent en incluant cette information de référence au moment d'une demande de révision ou de pièces de rechange.

Lieu et date de l'achat		Volts
Modèle		Hz
N° de série		HP

Après vous être assuré que la vanne d'arrêt sur la ou les conduite(s) extérieure(s) est fermée et la pression dans le réservoir est à 0 lb/po2, remplissez ce dernier jusqu'à la pression requise et consignez dans l'espace prévu ci-dessous le temps nécessaire pour que la pression s'accumule dans le réservoir. Vérifiez périodiquement le compresseur en fonction de ce temps de remplissage pour déterminer s'il fonctionne correctement. Si le temps de remplissage varie considérablement, communiquer avec le représentant local ROLAIR® pour planifier une révision.

De 0 à ____*lb/po2		
Date	min	s

De 0 à ____*lb/po2		
Date	min	s



# TABLE DES MATIÈRES

Introduction et définitions des avertissements de sécurité	2
Consignes de sécurité – risque d'asphyxie et d'éclatement	3
Consignes de sécurité – risque d'électrocution, de choc électrique, d'explosion et d'incendie	3
Consignes de sécurité – risque associé aux pièces mobiles, risque de brûlures et risque associé au levage de l'appareil	4
Consignes de sécurité – risque associé aux objets projetés, utilisation dangereuse et dommages au compresseur et à la propriété	4
Identification des commandes du système	6-8
Fiche de contrôle pour le prédémarrage	8-9
Fonctionnement	9-10
Maintenance	10-12
Dépannage	13
Garantie	14

## INTRODUCTION

Merci d'avoir acheté ce nouveau compresseur ROLAIR®!

Avec plus de 50 ans d'expérience en fabrication de compresseurs ROLAIR®, spécialement conçus pour les professionnels, Associate Engineering Corporation s'est acquise la réputation de fournir un produit de grande qualité et fiabilité. Nous nous sommes engagés à poursuivre cette tradition en analysant les besoins changeants et les exigences rigoureuses de votre secteur d'activité et en nous y adaptant. Vous pouvez compter sur ROLAIR® parce que nos appareils sont construits pour durer.

Ce manuel a été élaboré à l'intention de l'opérateur. Ne pas utiliser ou permettre à quiconque d'utiliser le compresseur d'air jusqu'à ce que ce manuel soit lu et les consignes de sécurité/fonctionnement comprises. En lisant et en suivant les consignes contenues dans ce manuel, le nouveau compresseur d'air offrira des années de service sans problème. Pour des questions supplémentaires au sujet de la sécurité et du fonctionnement, veuillez communiquer avec le distributeur ou notre service à la clientèle. Ne pas enlever ou peindre les étiquettes d'avertissement apposées au compresseur.

### Définitions – avertissements de sécurité

Les symboles de sécurité sont utilisés dans ce manuel pour attirer votre attention sur les situations potentiellement dangereuses. Les définitions qui suivent décrivent le niveau de gravité de chaque mot d'avertissement.



**DANGER :** Indique une situation éminemment dangereuse qui, si elle n'est pas évitée, ENTRAÎNERA la mort ou une blessure grave.



**AVERTISSEMENT :** Indique une situation potentiellement dangereuse qui, si elle n'est pas évitée, POURRAIT entraîner la mort ou une blessure grave.



**MISE EN GARDE :** Indique une situation potentiellement dangereuse qui, si elle n'est pas évitée, POURRA entraîner une blessure bénigne ou modérée ou endommager le compresseur d'air.



**AVERTISSEMENT**

Les gaz d'échappement de ce produit contiennent des produits chimiques identifiés par l'État de la Californie comme causes de cancer, de malformations congénitales et d'autres troubles de l'appareil reproducteur.







**AVERTISSEMENT**

Ne pas démarrer, faire fonctionner ou réviser la machine avant la lecture et la compréhension du manuel de l'opérateur.

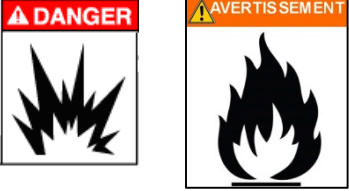




Le non-respect de cet avertissement pourrait entraîner des blessures graves.

## AVERTISSEMENTS DE SÉCURITÉ



LIRE ET COMPRENDRE TOUS LES AVERTISSEMENTS DE SÉCURITÉ AVANT D'UTILISER LE COMPRESSEUR D'AIR

Niveau de risque	Risque potentiel	Pour éviter tout risque
  <b>Risque d'asphyxie</b>	<p>L'inhalation d'air comprimé pourra entraîner des blessures graves ou la mort. Le flux d'air peut contenir du monoxyde de carbone, des vapeurs toxiques ou des particules solides.</p>	<p>Ne jamais inhaler de l'air comprimé directement de la pompe, du réservoir ou d'un dispositif de respiration raccordé au compresseur d'air.</p>
	<p>Les substances pulvérisées comme la peinture, le stuc, les insecticides, les solvants, etc. contiennent des vapeurs nocives et des poisons dont l'inhalation pourra entraîner des blessures graves ou la mort.</p>	<p>Faire fonctionner le compresseur uniquement dans un endroit bien ventilé. Utiliser un dispositif de protection respiratoire et suivre les recommandations du fabricant quant à son équipement de pulvérisation. Placer le compresseur à au moins 7,6 m (25 pi) de l'équipement de pulvérisation.</p>
	<p>Des blessures graves ou la mort pourront se produire si les gaz d'échappement provenant d'un petit moteur à essence sont inhalés. Les gaz d'échappement contiennent du monoxyde de carbone toxique, qui est inodore et incolore.</p>	<p>Faire fonctionner le compresseur à essence uniquement dans un endroit bien ventilé. Éviter d'inhaler les fumées d'échappement du moteur et ne jamais faire fonctionner un petit moteur à essence dans un espace fermé ou confiné sans une ventilation adéquate.</p>
  <b>Risque d'éclatement</b>	<p>Des blessures graves ou la mort pourront survenir par suite de l'explosion du réservoir d'air si ce dernier ne fait pas l'objet d'une maintenance appropriée ou si des modifications, des transformations ou des réparations sont effectuées aux réservoirs d'air.</p>	<p>Purger les réservoirs d'air chaque jour ou après chaque utilisation. Ne jamais percer, souder, rapiécer ou modifier les réservoirs d'air. Si le réservoir fuit, le remplacer immédiatement ou remplacer le compresseur au complet.</p>
	<p>Des blessures graves ou la mort pourront survenir si des modifications sont apportées à la soupape de décharge pilote, au pressostat, à la soupape de sûreté et de décharge ou à d'autres composants qui contrôlent la pression du réservoir.</p>	<p>Ne jamais faire aucun ajustement aux composants qui contrôlent la pression du réservoir. Ne pas transformer les paramètres de la pression de service établis en usine. Vérifier le fonctionnement de la soupape de sûreté sur une base régulière et ne jamais faire fonctionner sans une soupape de sûreté approuvée par l'usine.</p>
	<p>Des blessures graves pourront survenir si des accessoires ou des pièces fonctionnent au-dessus des pressions nominales recommandées par le fabricant, les faisant exploser ou voler en éclats.</p>	<p>N'utiliser aucun outil à air ou aucune pièce avant de lire le manuel d'utilisation afin de connaître les recommandations concernant la pression maximale. Ne jamais dépasser les puissances nominales admissibles, maximales, du fabricant. Ne pas utiliser le compresseur pour gonfler de petits objets à faible pression tels que les jouets.</p>
    <b>Risque d'électrocution ou de choc électrique</b>	<p>Des blessures graves ou la mort pourraient se produire si le compresseur d'air n'est pas correctement mis à la terre.</p>	<p>Toujours brancher le compresseur sur une prise correctement mise à la terre qui fournit une tension correcte, une mise à la terre appropriée et une protection par fusible adéquate.</p>
	<p>Un choc électrique pourra survenir si le compresseur n'est pas correctement utilisé.</p>	<p>Ne jamais faire fonctionner le compresseur d'air dans des conditions humides ou à l'extérieur lorsqu'il pleut. Ne pas laisser les fils électriques pendre dans l'eau. Ne pas faire fonctionner avec le cordon d'alimentation endommagé ou les couvercles de protection électrique retirés. Ne pas toucher à la fiche avec les mains humides. Ne pas tirer sur le cordon électrique pour le débrancher de la prise.</p>
	<p>Des blessures graves ou la mort pourront survenir si des réparations électriques sont effectuées par du personnel non qualifié.</p>	<p>Toute réparation électrique ou tout câblage effectué(e) sur ce compresseur ne doit être effectué(e) que par du personnel de service autorisé, en conformité avec les codes nationaux et locaux de l'électricité.</p>

# AVERTISSEMENTS DE SÉCURITÉ (suite)

 <p><b>Risque d'explosion ou d'incendie</b></p>	<p>Des blessures graves ou la mort pourront survenir par suite d'étincelles électriques normales qui se produisent dans le moteur et/ou le pressostat.</p>	<p>Toujours faire fonctionner le compresseur dans un endroit bien aéré, exempt de matières combustibles, d'essence, de solvants ou de vapeurs inflammables. Toujours placer le compresseur à au moins 6 m (20 pi) de l'aire de travail en cas de pulvérisation de matières inflammables.</p>
 <p><b>Risque associé aux pièces mobiles</b></p>	<p>Des blessures graves pourront survenir par suite d'un contact ou celui des vêtements avec les pièces mobiles telles que les courroies, les poulies, les volants moteur ou les ventilateurs.</p>	<p>Ne jamais faire fonctionner le compresseur d'air sans l'installation d'un garde-courroie. Remplacer immédiatement les garde-courroie ou les couvre-courroie endommagés.</p>
 <p><b>Risque de brûlure</b></p>	<p>Un compresseur d'air électrique avec commandes automatiques peut redémarrer à tout moment et entraîner des blessures corporelles à un moment inattendu.</p>	<p>Toujours débrancher le compresseur d'air et purger les réservoirs d'air complètement avant d'effectuer quelque réparation ou entretien. Ne jamais laisser les enfants ou les adolescents faire fonctionner le compresseur d'air.</p>
 <p><b>Risque de blessure par suite d'un levage</b></p>	<p>Des blessures graves pourront survenir si des réparations sont effectuées sur les dispositifs de protection, des couvercles ou des déflecteurs sont endommagés, manquants ou supprimés.</p>	<p>Toutes les réparations au compresseur d'air doivent être effectuées uniquement par un personnel de service autorisé ou formé.</p>
 <p><b>Objets volants</b></p>	<p>Des brûlures graves pourront survenir par suite du contact avec les parties métalliques exposées telles que la tête du compresseur, les conduites de refoulement cuivrées/tressées et le silencieux d'échappement du moteur pendant le fonctionnement, et même après le compresseur se sera arrêté pendant un certain temps.</p>	<p>Ne jamais toucher aux pièces métalliques exposées pendant le fonctionnement et une période de temps prolongée après que le compresseur d'air se sera arrêté. Ne pas effectuer de travaux de maintenance sur l'appareil tant qu'il ne s'est pas refroidi complètement.</p>
	<p>Des blessures graves peuvent survenir par suite du levage d'un objet trop lourd.</p>	<p>Toujours demander de l'aide pour lever tout objet qui est trop lourd pour une seule personne.</p>
	<p>Des blessures graves pourront survenir à cause des débris projetés à des vitesses élevées provenant du flux d'air comprimé.</p>	<p>Toujours porter des lunettes de sécurité conformément au règlement 287 de l'OSHA, afin de protéger les yeux pendant le fonctionnement du compresseur d'air. Ne jamais pointer aucun flux d'air ou outil en direction de votre propre corps, d'autrui ou d'un animal.</p> <p>Toujours éteindre le compresseur d'air et purger complètement le réservoir d'air avant d'effectuer des travaux de maintenance ou de fixer des outils pneumatiques.</p>

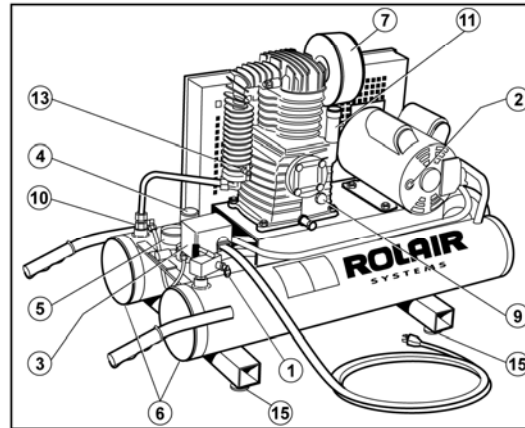
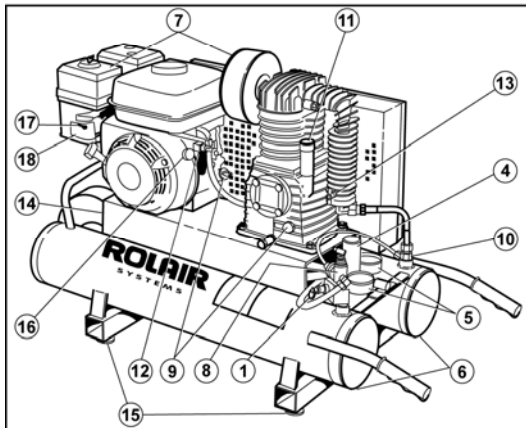
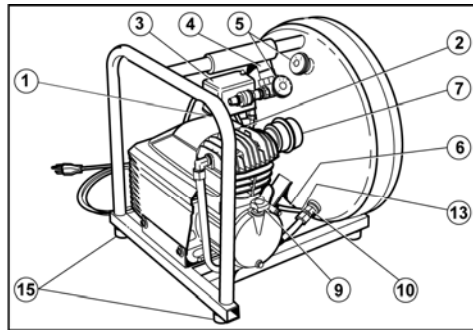
## AVERTISSEMENTS DE SÉCURITÉ (suite)

<p style="text-align: center;"> <b>Avertissement</b> <b>Risque de fonctionnement non sécuritaire</b></p>	<p>L'utilisation du compresseur d'air d'une manière non sécuritaire pourra entraîner des blessures graves à vous ou à quelqu'un <u>d'autre ou</u> même la mort.</p>	<p>Passer en revue et comprendre toutes les consignes et les avertissements contenus dans le manuel de l'utilisateur. Savoir comment arrêter le compresseur d'air. Ne pas faire fonctionner jusqu'à ce que l'appareil et tous les contrôles vous soient familiers. Ne pas faire fonctionner si de la fatigue est ressentie ou avec les facultés affaiblies par l'alcool ou la drogue. Rester vigilant pendant le fonctionnement du compresseur et porter une attention particulière à la tâche à accomplir.</p>
<p style="text-align: center;"> <b>Mise en garde</b> <b>Risque de dommage au compresseur d'air ou à la propriété</b></p>	<p>Le défaut de transporter ou de faire fonctionner le compresseur d'air de façon appropriée pourra entraîner des dépenses importantes en réparation. Les fuites d'huile endommageront les moquettes, les surfaces peintes, les revêtements de plancher et autres éléments.</p>	<p>Vérifier les niveaux d'huile chaque jour et maintenir les niveaux d'huile à un niveau approprié. Toujours faire fonctionner le compresseur dans une position de niveau, sécuritaire, qui l'empêche de basculer ou de tomber pendant l'utilisation. Ne pas faire fonctionner sans filtre à air ou dans un environnement corrosif.</p> <p>Toujours transporter dans une position de niveau et utiliser des tapis de protection pour maintenir les plateformes de camion propres, etc. Vérifier les boulons de vidange régulièrement et ne pas trop remplir l'appareil d'huile.</p>

Veillez noter que ce produit ne peut être muni d'un silencieux avec pare-étincelles. Si le compresseur fonctionne à proximité de matières inflammables ou de cultures agricoles, de broussailles, de forêts et de prairies, un pare-étincelles approuvé doit être installé, faire l'objet de maintenance et être en bon état de fonctionnement. Un pare-étincelles homologué est exigé par la loi dans l'État de la Californie, conformément aux dispositions 4442 et 4443 de l'article 130050 des statuts du code des ressources publiques de la Californie.

Ce produit contient des produits chimiques identifiés par l'État de la Californie comme causes de cancer, de malformations congénitales et d'autres troubles de l'appareil reproducteur. Toujours se laver les mains après avoir manipulé ce produit.

# COMMANDES DU SYSTÈME



**(1) SOUPAPE DE SÛRETÉ ET DE DÉCHARGE** Chaque compresseur d'air ROLAIR® est muni d'une soupape de sûreté et de décharge qui est conçue pour refouler la pression du réservoir à un réglage prédéterminé lorsque se produit une défaillance du système. Vérifier périodiquement la soupape de sûreté en tirant sur l'anneau uniquement lorsque la pression du réservoir est complètement purgée. La soupape à ressort doit se déplacer librement dans le corps de la soupape de sûreté. Une soupape de sûreté hors service pourrait laisser s'accumuler une pression excessive dans le réservoir qui entraînerait son éclatement ou une explosion.



**Ne pas modifier ni tenter de retirer la soupape de sûreté.**

**(2) BOUTON DE RÉINITIALISATION DE SURCHARGE/MOTEUR** Chaque compresseur d'air électrique ROLAIR® est muni d'une protection manuelle contre la surcharge. Si le moteur surchauffe, le capteur de surcharge déclenchera le bouton de réinitialisation pour protéger le moteur. Si ceci se produit, veuillez laisser le moteur refroidir pendant environ cinq minutes. Localiser le bouton de réinitialisation et appuyer dessus. L'utilisation d'une rallonge de calibre insuffisant ou qui est trop longue pourra être cause de surchauffe. Réévaluer la source d'alimentation, le calibre et la longueur de la rallonge utilisée. (Consulter le tableau à la Page 8)

**(3) PRESSOSTAT** La plupart des compresseurs d'air électriques sont munis d'un pressostat. Toujours s'assurer que le levier est à la position « Off » (arrêt) avant de brancher le cordon d'alimentation. En déplaçant le levier à la position « On/Auto » (marche/automatique), le compresseur démarre et s'arrête automatiquement en fonction des paramètres du pressostat qui est généralement entre 105 et 130 lb/po2. Ne pas tenter d'arrêter le compresseur en débranchant le cordon d'alimentation. Pour arrêter, déplacer simplement le levier à la position « Off » (arrêt). Le levier active une soupape de refoulement qui libère la pression à la tête et permet au compresseur de redémarrer sans charge lors de l'utilisation suivante.

**(4) RÉGULATEUR – PRESSION DE FONCTIONNEMENT** Pour régler la pression de sortie/de la conduite, lever simplement le bouton de réglage du régulateur et le tourner dans le sens horaire pour augmenter la pression de fonctionnement ou dans le sens antihoraire pour la diminuer. Enfoncer le bouton de réglage vers le bas pour verrouiller le paramètre. Ne jamais dépasser les puissances nominales admissibles, maximales, du fabricant et de l'outil qui est utilisé ou de l'objet qui est gonflé.

**(5) MANOMÈTRE(S)** En règle générale, la plupart des compresseurs sont munis d'une jauge pour mesurer la pression du réservoir ou de stockage et une autre jauge fixée au régulateur qui indique la pression de sortie ou de fonctionnement.

**(6) SOUPAPE(S) DE PURGE** Une ou plusieurs soupape(s) de purge est ou sont installée(s) pour évacuer, quotidiennement, l'humidité du ou des réservoir(s) de stockage du compresseur. Ouvrir les soupapes de purge lentement et avec précaution pour éviter que le tartre, la rouille, les débris soient projetés à une vitesse élevée.

**(7) FILTRE D'ADMISSION D'AIR** Des filtres d'admission d'air sont installés pour empêcher les corps étrangers de pénétrer dans le moteur de la pompe ou du compresseur. Vérifier les éléments d'admission sur une base régulière et soit nettoyer ou remplacer, le cas échéant. De l'eau tiède savonneuse ou de l'air comprimé de faible pression pourra être utilisé(e) pour nettoyer les éléments. Vérifier les bouteilles d'admission ou les éléments du coude pour la présence de fissures ou de joints brisés et les remplacer si des problèmes structurels sont détectés.

## COMMANDES DU SYSTÈME (suite)

**(8) SOUPAPE DE DÉCHARGE PILOTE** Une soupape de décharge pilote est utilisée sur tous les appareils à essence et peut être utilisée sur les compresseurs d'air électriques en vue d'un fonctionnement continu. Lorsque le réservoir de stockage atteint le paramètre de pression maximale de la soupape pilote, l'air en cours de compression est refoulé dans l'atmosphère plutôt que dans le réservoir de stockage. Lorsque la pression du réservoir chute au niveau du paramètre de pression minimale de la soupape pilote, l'air comprimé est redirigé vers le réservoir d'air. Ne pas tenter de remplacer la soupape pilote sans avoir d'abord purgé la pression du réservoir complètement. Consulter la Figure 3 pour les consignes de réglage fin. Ne pas régler l'appareil au-dessus des recommandations de l'usine indiquées ci-dessous.

Classification	Paramètre de pression
Compresseur à entraînement direct	entre 105 et 130 lb/po <sup>2</sup>
Compresseur à 1 étage	entre 110 et 135 lb/po <sup>2</sup>
Compresseur à 2 étages	entre 130 et 150 lb/po <sup>2</sup>

**(9) JAUGE VISUELLE/PIGE** Tous les jours, avant la mise en marche, prendre l'habitude de vérifier le niveau d'huile dans la pompe du compresseur. Chaque compresseur portatif à entraînement direct est muni d'une pige permettant de vérifier et de maintenir l'huile à un niveau approprié. La pige sert également d'orifice du carter. Ne jamais faire fonctionner un appareil à entraînement direct sans la pige fournie par l'usine. Nos compresseurs d'air à entraînement par courroie sont munis d'une jauge visuelle pour faciliter la tâche quotidienne de vérification du niveau d'huile. Toujours maintenir le niveau d'huile de la jauge visuelle aux 2/3.

**(10) SOUPAPE ANTIRETOUR** Chaque compresseur d'air ROLAIR® est muni d'une soupape antiretour pour retenir et maintenir la pression du réservoir une fois que le paramètre de pression maximale de la soupape pilote ou pressostat sera atteint. La soupape antiretour fonctionne en conjonction avec la soupape de sûreté du pressostat pour fournir un démarrage sans charge pour le système du compresseur. Un jet d'air rapide s'échappant de la soupape de sûreté du pressostat une fois que l'appareil électrique aura atteint le paramètre de pression maximale, indiquera que la soupape antiretour fonctionne de façon appropriée. Si le compresseur a une fuite inexplicable après l'arrêt, qui ne peut pas être attribuée à une autre cause, la soupape antiretour pourra être révisée/remplacée.

**(11) RENIFLARD/BOUCHON DE REMPLISSAGE DE L'HUILE** Toutes les pompes des compresseurs d'air alternatifs sont munis d'un reniflard de carter pour libérer la pression qui est créée par la descente du piston dans le cylindre de la pompe. Nos compresseurs d'air à entraînement direct évacuent la pression du carter par les ports spéciaux dans la pige. Nos appareils à entraînement par courroie évacuent la pression par le bouchon de remplissage de l'huile. Ne jamais faire fonctionner le compresseur d'air sans la pige ou le bouchon de remplissage de l'huile.

**(12) COMMANDE AUTOMATIQUE DE RALENTI** Chaque compresseur d'air à essence ROLAIR® est muni d'un ensemble commande de ralenti moteur, qui diminue automatiquement la vitesse du moteur lorsque le paramètre de pression maximale de la soupape de décharge pilote sera atteint. Le paramètre tr/m haut du moteur est réglé en usine pour une performance et une durée de vie maximales. Ne pas modifier le paramètre tr/m haut de l'usine. La vitesse de ralenti du moteur est réglée en usine et contrôlée par une vis en plastique noir à tête Phillips située sur le carburateur. Une légère augmentation au paramètre de ralenti pourra s'avérer nécessaire pour un fonctionnement en températures plus froides. Tourner la vis dans le sens horaire par incréments de 1/4 de tour pour augmenter la vitesse de ralenti. Si le paramètre ralenti est trop bas, l'encrassement prématuré de la bougie se produira.

**(13) SOUPAPE DE DÉMARRAGE À FROID** La plupart des compresseurs d'air à entraînement direct ROLAIR® sont munis d'une soupape de démarrage à froid automatique qui permet au moteur/à la pompe de se réchauffer avant d'être soumis à la pression du réservoir. Nos appareils à entraînement par courroie portatifs ont une soupape de purge manuelle installée sur le postrefroidisseur de la pompe pour faciliter le démarrage par temps froid. Ouvrir la soupape de purge et laisser le moteur et la pompe fonctionner sans charge pendant *une minute* pour se réchauffer. Fermer le drain et répéter la procédure si le moteur ou ce dernier continue à forcer.

**(14) DISPOSITIFS DE SERRAGE DE COURROIE SCHMIDT (POUR LES APPAREILS À ESSENCE SEULEMENT)** Chaque compresseur d'air à entraînement par courroie ROLAIR® comporte un système unique pour maintenir la tension de la courroie. Desserrer simplement les contre-écrous de 12,5 mm (1/2 po) seulement jusqu'à ce que les rondelles en dessous tournent librement. Ceci permet de fixer solidement le moteur et de faire tourner dans le sens horaire le boulon à filetage fin, situé à l'extrémité de roue de la plaque de base jusqu'à ce que la tension de la courroie désirée soit atteinte. (Consulter le dessin à la section sur les consignes d'utilisation pour une tension appropriée) Resserrer les contre-écrous de 12,5 mm (1/2 po) pour fixer solidement le moteur et maintenir le paramètre de tension de courroie désiré.

**(15) AMORTISSEURS ANTIVIBRATION** Les coussinets en caoutchouc installés sous chaque ensemble réservoir de compresseur portatif ROLAIR® sont très importants pour le bon fonctionnement du compresseur d'air. Ils offrent une protection contre les vibrations qui pourront entraîner des dommages à de nombreux composants du système si rien n'est fait.

**(16) COUPE-CIRCUIT MOTEUR** Un coupe-circuit moteur est installé pour éteindre facilement le moteur. Ne pas tenter de déplacer le levier d'accélération (tel qu'il est décrit dans le manuel d'utilisation de Honda) au moment de l'arrêt du moteur. Le levier d'accélération du moteur est réglé en usine et verrouillé sur un paramètre tr/min haut qui offrira une performance et une durée de vie maximales pour le compresseur. Le coupe-circuit doit être déplacé vers la position « ON » (marche) avant de tirer sur l'ensemble câble du lanceur pour démarrer le moteur.



## COMMANDES DU SYSTÈME (suite)

**(17) ÉTRANGLEUR DU MOTEUR** Le déplacement du levier d'étrangleur complètement vers la gauche (position fermée) facilitera le démarrage du moteur à froid. Voir aussi les consignes pour la soupape de démarrage à froid (article n° 13). Après le démarrage, le levier d'étrangleur doit être complètement déplacé vers la droite (position ouverte) pour que le moteur fonctionne de façon appropriée. L'encrassement de la bougie et l'accumulation interne excessive de carbone se produiront si le moteur est utilisé avec le levier d'étrangleur, même partiellement fermé.

**(18) SOUPAPE D'ARRÊT DU CARBURANT** La soupape d'arrêt du carburant ne doit être déplacée vers la position « Ouverte » (complètement à droite) que lorsque le moteur tourne. Toujours couper l'arrivée de carburant en déplaçant la soupape d'arrêt complètement vers la gauche lorsque le moteur ne tourne pas. Ne pas déplacer ou transporter le compresseur d'air avec la soupape de carburant en position ouverte.

### FICHE DE CONTRÔLE POUR LE PRÉ-DÉMARRAGE

Lire attentivement le manuel de l'utilisateur. S'assurer de bien comprendre tous les avertissements de sécurité, les commandes du système et les consignes données avant de faire fonctionner ce compresseur d'air. Tous les efforts ont été déployés pour vous fournir l'information requise pour que vous obteniez de nombreuses années de service fiable et sans problème de votre nouveau compresseur d'air. Il incombe à l'utilisateur la responsabilité de faire fonctionner le compresseur d'air de façon appropriée. Pour obtenir une durée de vie la plus longue possible du compresseur d'air, toujours garder à l'esprit les consignes suivantes.

#### **11. TOUJOURS FAIRE FONCTIONNER LE COMPRESSEUR DANS UNE POSITION DE NIVEAU**

Toutes les pompes lubrifiées par injection comportent un balancier sur la bielle qui doit rester immergée dans le bain d'huile. Le fonctionnement à un angle de plus de 10 degrés entraînera le grippage de la pompe, annulant ainsi la garantie du produit.

#### **12. TOUJOURS FAIRE FONCTIONNER DANS UN ENDROIT PROPRE, SEC ET BIEN VENTILÉ**

Laisser au moins 46 cm (18 po) derrière le couvre-courroie pour un refroidissement approprié de la pompe contre le souffle du volant moteur. Ne pas faire fonctionner sous la pluie ou dans des zones d'écoulement d'eau. Ne jamais faire fonctionner dans une zone où d'autres gaz, fumées ou vapeurs sont présent(e)s, pouvant créer une atmosphère explosive lorsque l'air sera comprimé. Ne pas faire fonctionner le compresseur dans un endroit clos.

#### **13. VÉRIFIER LE NIVEAU D'HUILE CHAQUE JOUR ET CHANGER L'HUILE À DES INTERVALLES RÉGULIERS**

Consulter la section de maintenance de ce manuel de l'utilisateur pour le type/poids d'huile approprié à utiliser et la fréquence à laquelle elle doit être changée. Vérifier le niveau d'huile chaque jour.

#### **14. INSPECTER/NETTOYER/CHANGER LES ÉLÉMENTS D'ADMISSION SUR UNE BASE RÉGULIÈRE**

L'ingestion de la saleté dans la pompe et le moteur est la principale cause d'une usure prématurée. Porter une attention particulière aux filtres d'aspiration. Vérifier les filtres d'admission chaque jour.

#### **15. UTILISER UN FLEXIBLE D'AIR PLUS LONG, DE DIAMÈTRE APPROPRIÉ, PLUTÔT QU'UNE RALLONGE**

Si une rallonge doit être utilisée, veuillez consulter le tableau ci-dessous pour le calibre approprié et la longueur maximale pouvant être utilisés. L'utilisation d'un flexible d'air d'une dimension inappropriée entraînera également des pertes de charge par frottement qui pourraient affecter la performance des outils pneumatiques.

#### **16. N'UTILISER AUCUN GÉNÉRATEUR COMME SOURCE D'ALIMENTATION**

Les compresseurs d'air utilisent des moteurs à induction qui nécessitent un ampérage de 3 à 5 fois plus de courant pleine charge pour un démarrage approprié. La plupart des générateurs ne fourniront pas la puissance nécessaire pour démarrer de façon appropriée ce type de moteur électrique.

#### **17. VÉRIFIER LA TENSION DES BOULONS, DES COURROIES ET DU MATÉRIEL SUR UNE BASE RÉGULIÈRE**

L'utilisation de tout équipement avec les boulons et/ou raccords desserrés entraînera des vibrations excessives et la défaillance prématurée des éléments de commande du compresseur.

#### **18. MAINTENIR EN BON ÉTAT LES COUSSINETS ANTIVIBRATION EN CAOUTCHOUC**

Des vibrations excessives sont une cause importante de la défaillance prématurée du compresseur. Toujours maintenir en bon état les coussinets antivibration en caoutchouc situés sous l'ensemble réservoir. Le fonctionnement sans les coussinets antivibration annulera la garantie.

#### **19. ÉVACUER L'HUMIDITÉ DES RÉSERVOIRS D'AIR CHAQUE JOUR**

L'eau est un dérivé naturel de l'air comprimé. Évacuer le(s) réservoir(s) d'air après chaque utilisation pour prévenir contre la corrosion du réservoir interne. Garder fermées les soupapes de purge en cas de rangement du compresseur pour une longue période de temps.



## FICHE DE CONTRÔLE POUR LE PRÉ-DÉMARRAGE (suite)

### TABLEAU DES RALLONGES ÉLECTRIQUES

Calibre de fil minimal		
Longueur de rallonge	Moteur 1/2 et 3/4 HP	Moteur 1, 1 1/2 et 2 HP
Jusqu'à 7,6 m (25 pi)	14 gal (64 L)	12 gal (54 L)
entre 7,6 et 15 m (25 et 50 pi)	12 gal (54 L)	10 gal (45 L)
entre 15 et 30 m (50 et 100 pi)	10 gal (45 L)	8 gal (36 L)

**20. NE PAS MODIFIER LES PARAMÈTRES TR/MIN DÉFINIS EN USINE SUR LES COMPRESSEURS À GAZ.** Le levier d'accélération du moteur est réglé en usine et verrouillé en position sur les tr/min, qui fournira une performance, une consommation en carburant et une durée de vie maximales. Les modifications apportées à ce paramètre annuleront la garantie.

### FUNCTIONNEMENT

**AVERTISSEMENT** — La sécurité et le bien-être des autres pendant le fonctionnement de chaque compresseur ROLAIR® est notre principale préoccupation. Ne pas utiliser ou permettre à quiconque de faire fonctionner le compresseur d'air jusqu'à ce que l'information contenue dans ce manuel soit lue et parfaitement comprise. Pour toute question supplémentaire à propos de l'utilisation appropriée du compresseur d'air, veuillez communiquer avec le distributeur ou notre service à la clientèle.

#### ÉLECTRIQUE À ENTRAÎNEMENT DIRECT

Établir que le compresseur d'air est prêt à fonctionner en passant en revue les sujets et l'information fournie à la Section « Fiche de contrôle du pré-démarrage » de ce manuel. Ouvrir lentement la purge du réservoir pour évacuer toute présence de condensation qui se serait accumulée et garder la purge ouverte pendant quelques secondes après le démarrage pour faire réchauffer l'ensemble moteur/pompe. S'assurer que le levier de commande du pressostat est à la position « Off » (arrêt) avant de brancher le cordon d'alimentation dans une prise mise à la terre de façon appropriée. Déplacer le levier du pressostat à la position « On/Auto » (marche/automatique) pour accumuler la pression et maintenir automatiquement le paramètre pression haut du réservoir. Tourner le bouton de réglage du régulateur dans le sens antihoraire jusqu'à ce que la jauge indique 0 lb/po<sup>2</sup> avant de fixer le flexible d'air et l'accessoire. Régler la pression de fonctionnement en tournant le bouton de réglage du régulateur dans le sens horaire, puis verrouiller la pression de fonctionnement selon les spécifications fournies par le fabricant de l'outil. Toujours utiliser le levier du pressostat sur « On(Auto)/Off » (marche (automatique)/arrêt) pour démarrer ou arrêter le compresseur d'air. **Ne jamais** arrêter le compresseur en le débranchant de la source d'alimentation. Ranger le compresseur dans un endroit chaud/sec et effectuer l'activité de maintenance, tel qu'il est indiqué dans le manuel.

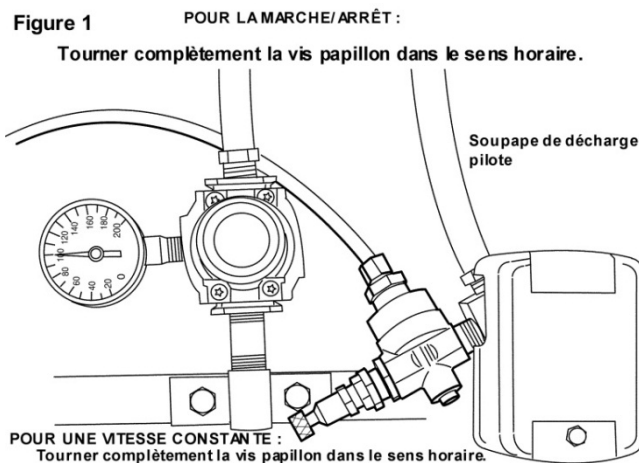
#### ÉLECTRIQUE À ENTRAÎNEMENT PAR COURROIE

##### FONCTIONNEMENT DE MARCHÉ/ARRÊT :

Suivre les procédures décrites ci-dessus pour l'utilisation des compresseurs à entraînement direct électriques. Ouvrir la soupape de purge située sur le postrefroidisseur de la pompe à des fins de démarrage à froid. Un moteur à entraînement par courroie électrique ne doit pas être soumis à plus de 15 démarrages par heure. Consulter le concessionnaire ou un centre de service agréé ROLAIR® pour de l'information sur un ensemble de conversion si des déclenchements intempestifs du moteur dus à un nombre excessif de démarrages par heure se produisent.

##### FONCTIONNEMENT À VITESSE CONSTANTE :

Le fonctionnement en continu ou à vitesse constante doit être utilisé pendant les périodes de forte utilisation afin de prolonger la durée de vie du moteur et éviter une surchauffe. **Si la machine est conçue pour fonctionner seulement en continu, une attention particulière doit être portée au démarrage et à l'arrêt en toute sécurité. Toujours couper le courant de la prise secteur au disjoncteur principal ou en option à l'interrupteur de marche/arrêt avant de brancher ou de débrancher le cordon d'alimentation.** Nous vous recommandons également la purge complète du ou des réservoir(s) de stockage et l'ouverture de la soupape de purge du postrefroidisseur avant de commencer, surtout pour le fonctionnement à des températures froides. **Ne jamais arrêter le compresseur en débranchant la fiche de la source d'alimentation. Utiliser le disjoncteur ou en option l'interrupteur de marche/arrêt pour couper l'alimentation de la prise.**



## FONCTIONNEMENT (suite)

### **DOUBLE COMMANDE DE FONCTIONNEMENT :**

La double commande permet une transition facile entre le fonctionnement en marche/arrêt et en continu. Voir la Figure 1 pour les consignes pour passer du fonctionnement marche/arrêt au fonctionnement à vitesse constante. Toujours faire passer le levier sur le pressostat à la position « off » (arrêt) avant de brancher ou de débrancher le cordon d'alimentation.

### **CYCLE D'UTILISATION :**

Tous les compresseurs d'air ROLAIR® à entraînement par courroie sont équipés de moteurs et de pompes S1 capables de fonctionner selon des cycles de service de 100 %. Grâce à la ventilation et l'alimentation électrique appropriée, votre compresseur ROLAIR® est capable de fonctionner en continu lorsque réglé pour un fonctionnement à vitesse constante. Une quantité excessive de démarrages par heure peut cependant générer suffisamment de chaleur pour déclencher le système de protection contre les surcharges du moteur. Veuillez communiquer avec notre service à la clientèle en usine si des problèmes de surcharges se produisent répétitivement.

Plusieurs appareils à entraînement direct ROLAIR® comme les modèles FC1500HBP2, FC1500HS3 et JC10 sont conçus pour un cycle de service de 70 %. S'ils sont soumis à un fonctionnement en continu, le système de protection contre les surcharges internes va arrêter le moteur et ne va permettre le redémarrage que lorsqu'un refroidissement suffisant se sera produit.

## À ESSENCE

Consulter les numéros d'article 12, 16, 17 et 18 à la Section « Commandes du système » de ce manuel pour de l'information sur la commande de ralenti automatique du moteur, du coupe-circuit, de l'étrangleur et de la soupape d'arrêt du carburant. Vérifier également que le levier d'accélération du moteur est verrouillé sur le paramètre tr/min haut qui fournira une durée de vie maximale et qui ne doit pas être déplacé pour démarrer ou arrêter la machine. Des consignes supplémentaires se trouvent dans le manuel d'utilisation du moteur. Utiliser la soupape de purge située sur le postrefroidisseur de la pompe ou le refroidisseur intermédiaire à des fins de démarrage à froid. Prendre des mesures de précaution supplémentaires pour empêcher la saleté/les débris de pénétrer dans le réservoir de carburant ou de gêner le débit d'air dans le moteur ou en aval de la pompe. S'assurer que le débit d'air du régulateur est complètement fermé (la jauge indique 0 lb/po<sup>2</sup>) avant de fixer le flexible d'air et l'accessoire. Un léger *sifflement*, causé par le débit d'air dirigé vers l'atmosphère au cours de ralenti du moteur, est normal. Ranger le compresseur dans un endroit chaud/sec et effectuer l'activité de maintenance, tel qu'il est indiqué dans le manuel.

### **UTILISATION À HAUTE ALTITUDE :**

Les pompes de compresseurs d'air produisent moins de pi<sup>3</sup>/min à des altitudes plus élevées en raison d'une diminution de la pression atmosphérique. En règle générale, la capacité diminue d'environ 3 % pour chaque augmentation de l'altitude de 305 m (1000 pi). De plus, étant donné que l'air à plus haute altitude est moins dense et ne refroidit pas autant, les moteurs électriques ne peuvent pas être soumis à la totalité de l'intensité électrique indiquée sur la plaque signalétique et peuvent devoir être mis à niveau afin d'éviter une surchauffe répétée.

Les compresseurs à entraînement direct ou à main qui sont construits avec des soupapes de démarrages à froid peuvent avoir besoin d'être modifiés lorsqu'ils sont utilisés à des altitudes plus élevées. Les carburateurs sur les compresseurs d'air à essence peuvent également devoir être réajustés pour pouvoir fonctionner adéquatement à des altitudes plus élevées. Communiquez avec notre service à la clientèle en usine si votre compresseur d'air (qui fonctionne habituellement bien) ne fonctionne pas adéquatement à des altitudes plus élevées.

## MAINTENANCE

Votre nouveau compresseur correspond à ce qui se fait de mieux en matière d'ingénierie et fabrication. Cependant, même la meilleure des machines nécessite une maintenance périodique. Veuillez respecter le calendrier de maintenance et tenir compte des suggestions qui suivent pour maintenir le compresseur dans un état optimal.

**REMARQUE :** Toujours débrancher ou éteindre le compresseur et purger les réservoirs d'air complètement avant de tenter toute activité de maintenance. Attendez que le compresseur refroidisse avant toute révision.

**IMPORTANT :** Remplacer l'huile après les 50 premières heures de fonctionnement

**CONSEILS DE MAINTENANCE :** 1) Utiliser une solution de savon/eau pour vérifier les fuites d'air.

2) Ne jamais nettoyer les filtres à l'aide d'un solvant inflammable.

3) Resserrer au couple les boulons de la culasse seulement après que la pompe aura refroidi.

4) Déplacer le moteur de 6,35 mm (1/4 po) et remettre les courroies en place pour augmenter la tension des courroies sur les appareils électriques.

5) Ne jamais souder le(s) réservoir(s) d'air.

6) Utiliser la chaleur pour desserrer le joint Loctite sur les soupapes de purge, les poulies et les volants du moteur avant de les retirer.

## MAINTENANCE (suite)

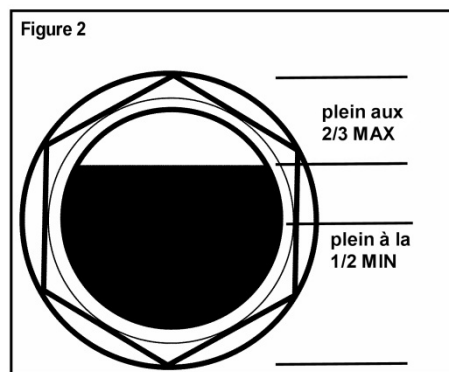
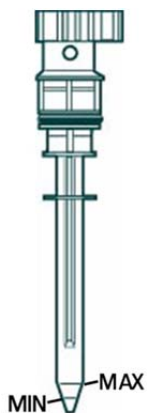
### LUBRIFICATION :

Avant chaque utilisation, prendre l'habitude de vérifier le niveau d'huile de la pompe. La plupart des compresseurs d'air à entraînement direct sont munis d'une pige avec des marques de moulage qui indiquent les niveaux minimal et maximal acceptables de l'huile. Nos pompes à entraînement par courroie ont une jauge visuelle, située à l'extérieur du carter, pour faciliter la tâche. Toujours maintenir le niveau d'huile à la marque maximale de la pige ou aux 2/3.

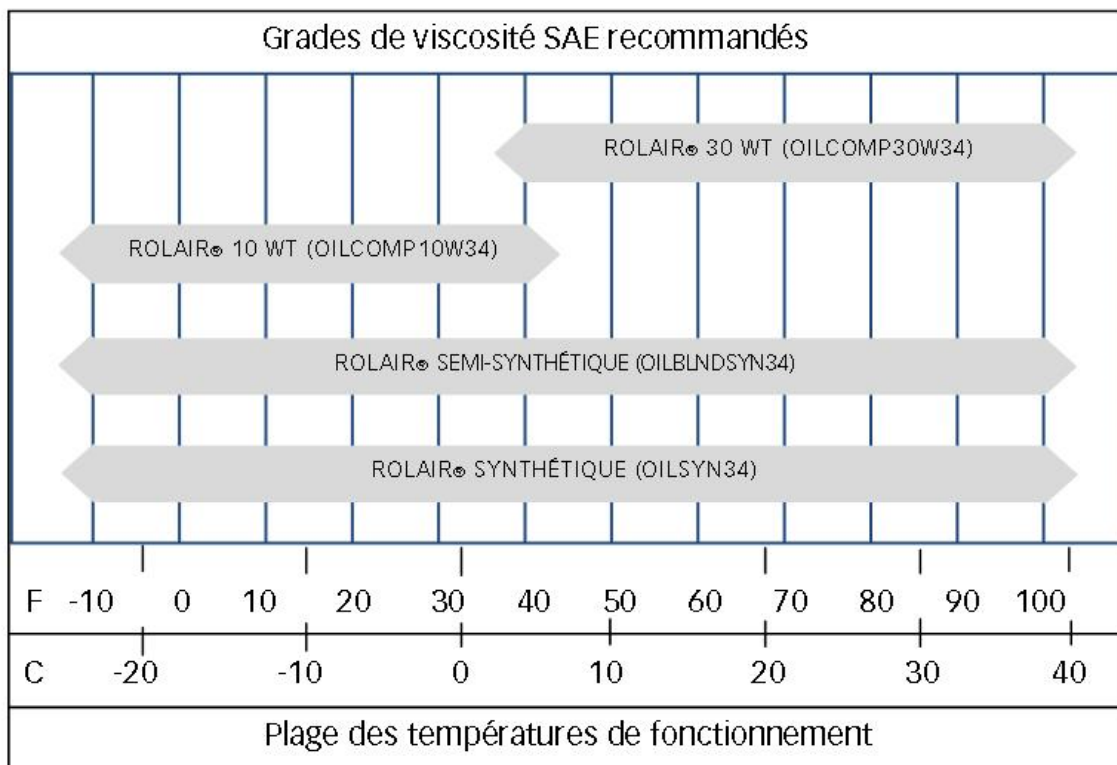
Ne pas faire fonctionner la pompe avec une quantité insuffisante ou excessive d'huile. Le coût des défaillances qui se produisent en raison d'un niveau d'huile incorrect ne sera pas couvert par la garantie.

**N'UTILISER AUCUNE HUILE DÉTERGENTE!**

**REMARQUE : L'appareil doit être de niveau lorsqu'il est en fonctionnement**



### TABLEAU DES TYPES D'HUILE



- Les huiles standard 10 WT ou 30 WT de ROLAIR® devraient être vidangées toutes les 200 à 400 heures après la période de rodage
- L'huile semi-synthétique ROLAIR® devrait être vidangée tous les 1000 à 2000 heures
- L'huile synthétique ROLAIR® devrait être vidangée tous les 2000 à 4000 heures

# MAINTENANCE (suite)

## PROGRAMME DE MAINTENANCE

Recommandation	Quotidienne	Hebdomadaire	Mensuelle	Trimestrielle
Vérifier le niveau d'huile	X			
Évacuer l'humidité du ou des réservoir(s)	X			
Inspecter le(s) filtre(s) à air	X			
Vérifier la présence de bruit ou de vibration inhabituel(le)	X			
Inspecter le couvre-courroie	X			
Vérifier la présence de fuite d'air ou d'huile	X			
Nettoyer l'extérieur du compresseur d'air		X		
Vérifier la condition des coussinets antivibration		X		
Serrer/Resserrer au couple les boulons		X		
Vérifier la tension de la courroie		X		
Vérifier le fonctionnement de la soupape de sûreté		X		
Changer l'huile du compresseur			X	
Nettoyer/Remplacer le filtre à air			X	
Effectuer l'essai de temps de remplissage			X	
Vérifier le fonctionnement des commandes du système				X
Vérifier la présence de bosses/fuites sur les réservoirs d'air				X

### TABLEAU DES COUPLES (POUCE/LB)

Type de pompe	Entraînement direct	K12	K17	K18	K24	K28	K30
Boulons de la culasse	96	243	243	243	243	347	347
Boulons du cylindre	120	182	182	182	182	330	330
Boulons du palier	S/O	130	130	130	130	130	130
Boulons de la bielle	S/O	121.5	121.5	121.5	121.5	121.5	173.6
Volant moteur	S/O	243	382	382	382	477	477

Déterminer le type de pompe à l'aide du suffixe du numéro de modèle (exemple, 4090HK17 utilise la pompe K17).

## RÉGLAGE DE LA SOUPAPE PILOTE

### RÉARMEMENT DU DIFFÉRENTIEL (2)

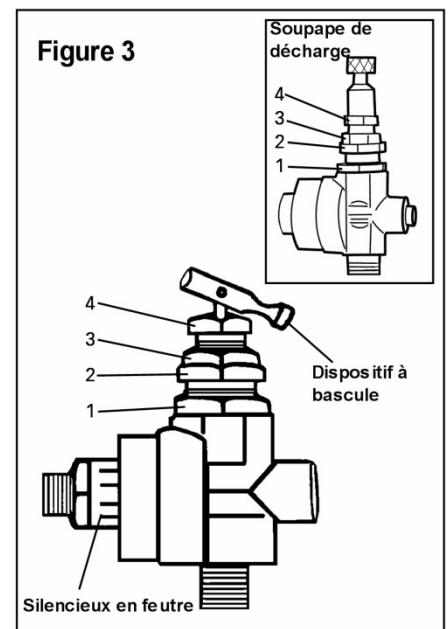
S'assurer que le levier articulé supérieur est positionné, tel qu'il est indiqué. (Voir la Figure 3). Desserrer le contre-écrou (1) en tournant dans le sens antihoraire plusieurs tours complets. Tourner doucement dans le sens horaire le différentiel (2) jusqu'à ce que la bielle interne entre en contact avec la bille en acier à l'intérieur. Après le contact, tourner 1/4 tour le différentiel (2) dans le sens antihoraire. Fixer solidement le contre-écrou de serrage (1), puis régler le paramètre haut.

### PARAMÈTRE HAUT (4)

Desserrer le contre-écrou (3) en tournant dans le sens antihoraire plusieurs tours complets. (4) est le paramètre haut. Tourner (4) dans le sens horaire augmentera le paramètre de pression haut. Tourner dans le sens antihoraire diminuera le paramètre de pression haut. Commencer par un paramètre bas en tournant dans le sens antihoraire d'un tour complet. Passer aux consignes de réglage fin.

### CONSIGNES DE RÉGLAGE FIN

Démarrer le moteur et observer le manomètre du réservoir. Au fur et à mesure que la pression du réservoir s'approche de 100 à 130 lb/po<sup>2</sup>, la soupape pilote devrait commencer le déchargement au silencieux en feutre pour faire fonctionner le moteur au ralenti. Si la soupape pilote ne décharge pas au moment où la pression du réservoir s'approche de 130 lb/po<sup>2</sup>, tourner lentement le paramètre haut (4) dans le sens antihoraire jusqu'à ce que la soupape pilote commence à décharger prématurément (à 100 lb/po<sup>2</sup>), tourner le paramètre haut (4) dans le sens horaire par incréments de 1/4 tour, appuyer sur la bielle interne au dispositif à bascule, puis répéter jusqu'à ce que la valeur haut souhaitée soit atteinte. Si la soupape pilote commence à feuilletter (tousser), régler finement le paramètre différentiel (2) de 1/16 tour dans un sens ou l'autre jusqu'à l'arrêt du feuilletter. Une fois le réglage fin terminé, fixer solidement en tournant les contre-écrous (1 et 3) dans le sens horaire jusqu'à ce qu'ils soient bien serrés. Maintenir le paramètre (2 et 4) tout en tournant les contre-écrous pour le fixer solidement.



## MAINTENANCE (suite)

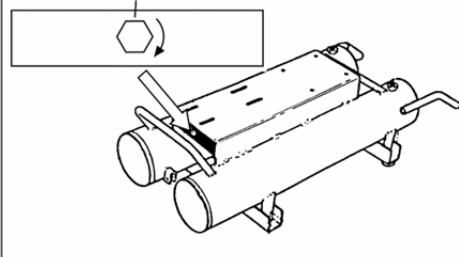
### DISPOSITIF DE SERRAGE DE COURROIE SCHMIDT (POUR LES APPAREILS À ESSENCE SEULEMENT)

Pour serrer la tension des courroies, procéder comme suit :

4. Desserrer les contre-écrous sur les boulons de fixation du moteur seulement jusqu'à ce que les rondelles en dessous tournent librement.
5. Tourner le boulon réglage de 13 mm (½ po) dans le sens horaire jusqu'à ce que la tension souhaitée soit atteinte. (Voir la Figure 4).
6. Reserrer les contre-écrous pour fixer solidement le moteur.

Figure 4

La rotation dans le sens horaire de 13 mm (½ po) du boulon augmentera la tension de la courroie.

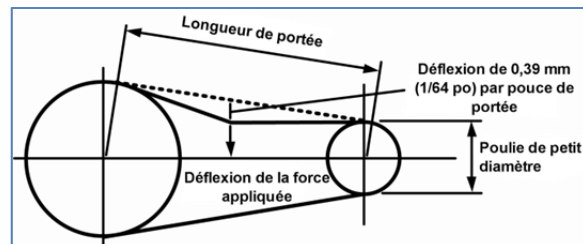


### POULIES D'ENTRAÎNEMENT

Les poulies d'entraînement doivent être correctement alignées et la tension de leur courroie conforme aux spécifications. L'alignement incorrect des poulies et la tension inappropriée de leur courroie peuvent provoquer la surcharge du moteur, des vibrations excessives et la défaillance prématurée de la courroie et/ou du palier.

(Voir la Figure 5).

Figure 5



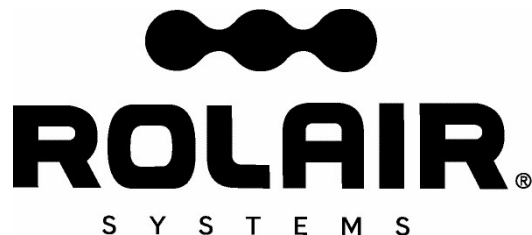
PARAMÈTRES TR/MIN DU MOTEUR À ESSENCE			
Modèle	Paramètre haut	Tr/min du ralenti	Tr/min de la pompe
Série 4090	2950	1900	1025
Séries 1040 et 2040	2775	1900	1175
Série 6590	3150	1900	1125
Séries 8422 et 8230	3000	1900	900

**REMARQUE :** Les paramètres tr/min du moteur (haut – bas) sont réglés en usine pour une efficacité maximale. Le réglage du tr/min au-delà des spécifications en usine annulera la garantie.

## DÉPANNAGE

**AVERTISSEMENT** – S'assurer de bien comprendre tous les avertissements de sécurité et le fonctionnement de chaque élément de contrôle du système avant d'effectuer quelque activité de maintenance ou de réparation que ce soit. Toujours purger le réservoir complètement de sa pression, s'assurer que le cordon d'alimentation est débranché et que l'appareil a eu le temps de refroidir avant d'effectuer quelque activité de maintenance ou de réparation que ce soit.

PANNE	CAUSE	SOLUTION
La pression dans le réservoir de la pompe s'accumule lentement	Courroie lâche/desserrée	Ajuster la tension de la courroie
	Fuites excessives dans le système	Corriger les fuites d'air
	Joint de culasse endommagé	Remplacer les joints de la culasse
	Rupture de la soupape à clapet	Remplacer les soupapes à clapet
	Filtre d'admission obstrué	Nettoyer ou remplacer l'élément d'admission
	Fuite du régulateur	Remplacer le régulateur
	Soupape pilote défectueuse	Remplacer la soupape pilote
Consommation en huile excessive	Huile excessive dans le carter	Vidanger au niveau approprié
	Poids de l'huile inapproprié	Remplacer avec de l'huile appropriée
	Reniflard du carter obstrué	Remplacer la pige ou le bouchon de remplissage d'huile/le reniflard du carter
	Filtre d'admission sale/bloqué	Nettoyer/remplacer le filtre d'admission
	Joints du piston usés	Faire réviser l'appareil
Claquement	Cylindre rayé	Faire réviser l'appareil
	Poulie/volant lâche	Serrer les pièces appropriées
	Courroies lâches	Ajuster la tension de la courroie
Surchauffe du compresseur	Panne de la pompe interne	Faire réviser l'appareil
	Faible ventilation	Déplacer le compresseur d'air
	Rotation de la pompe inappropriée	Communiquer avec un électricien
Moteur électrique hors tension, ne bourdonne même pas	Panne de la pompe interne	Faire réviser l'appareil
	Surcharge thermique déclenchée	Localiser et appuyer sur le bouton de réinitialisation
	Bouton de réinitialisation brisé	Remplacer le bouton de surcharge/réinitialisation
	Fils du moteur ou raccordement électrique lâche(s)	Localiser et corriger le(s) raccordement(s) électrique(s) lâche(s)
Le moteur déclenche le bouton de surcharge/réinitialisation	Court-circuit dans le cordon d'alimentation	Remplacer le cordon d'alimentation
	Le moteur démarre/arrête excessivement	Installer l'ensemble double commande ou vitesse constante
	Le bouton de surcharge est défectueux/faible	Remplacer le bouton de surcharge
	Calibre de la rallonge inapproprié	Utiliser des longueurs de flexible plus longues ou une rallonge de plus gros calibre
	Boulons traversants du moteur faussés ou serrés de façon inappropriée	Reserrer ou remplacer les boulons traversants faussés
Le moteur à essence démarre difficilement	Fissures dans l'extrémité du moteur ou le boîtier	Faire réviser l'appareil
	Bougie écartée de façon inappropriée, incorrecte ou encrassée	Installer une bougie appropriée, après l'avoir écartée conformément aux spécifications d'usine
	Niveau de l'huile moteur inapproprié	Remplir jusqu'au haut des filets pour le bouchon d'huile
	Poids inapproprié de l'huile de la pompe ou de l'huile moteur	Changer à un poids d'huile approprié pour la température de fonctionnement
	Essence vieille ou inappropriée	Faire réviser l'appareil



## Garantie

Associate Engineering Corporation garantit que tous les compresseurs seront exempts de quelque défaut de matériau et de fabrication que ce soit, pour une période de douze mois à compter de la date d'achat du produit d'origine ou dix-huit mois à compter de la date de fabrication, selon la date la plus proche.

Advenant quelque manquement à se conformer à la présente garantie, signalé à la Société à l'intérieur de ladite période, la Société, sur l'expédition par l'acheteur du compresseur à notre usine, frais de transport prépayés, corrigera la non-conformité par une réparation appropriée ou, à sa discrétion, fournira une pièce de remplacement FAB de notre usine.

Associate Engineering Corporation ne sera pas tenu responsable des réparations, des remplacements, des ajustements non autorisés effectués sur les compresseurs ou des coûts de main-d'œuvre assumés par l'acheteur.

**La présente garantie remplace expressément quelque autre garantie explicite, implicite ou statutaire (y compris, mais sans s'y limiter, les garanties de qualité marchande et d'adéquation à l'usage prévu) et quelque autre obligation et/ou responsabilité de la part de Associate Engineering Corporation. Associate Engineering Corporation n'assume aucune responsabilité ni n'autorise aucune autre personne à assumer pour elle quelque autre obligation ou responsabilité en relation avec ou à l'égard de quelque compresseur.**

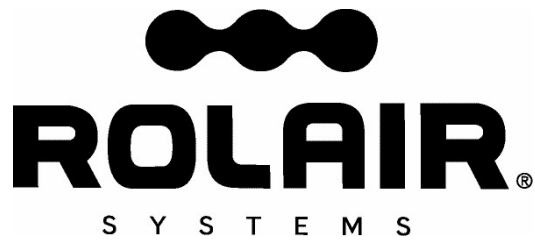
Associate Engineering Corporation ne sera en aucun cas tenu responsable de quelque dommage indirect, accessoire ou particulier, ni de la sélection inappropriée de quelque compresseur pour une application particulière.

## Qualité

Associate Engineering Corporation est dédiée au contrôle continu de la qualité, grâce à une recherche approfondie sur les produits que nous fabriquons. Le but recherché est de mettre à la disposition de l'utilisateur toute l'expérience et l'expertise en ingénierie dont nous disposons pour chaque pièce d'équipement que nous produisons.

Notre gamme de produits satisfait aux besoins variés du monde d'aujourd'hui en matière d'appareils à air comprimé. Vous pouvez compter sur ROLAIR® pour toutes les fonctionnalités les plus récentes et perfectionnées disponibles dans le domaine des compresseurs modernes.





# COMPRESORA DE AIRE PORTÁTIL

## MANUAL DEL PROPIETARIO

### ADVERTENCIA

EL AIRE DE DESCARGA DE LA COMPRESORA PUEDE CONTENER HIDROCARBUROS Y OTROS CONTAMINANTES. NO UTILICE EL AIRE DE DESCARGA PARA RESPIRAR.

### PARTES

Las partes genuinas de repuesto de ROLAIR® se venden en todo el país a través de una red de distribuidores y centros de servicio autorizados. Contacte al distribuidor donde adquirió su compresora de aire o a nuestro departamento de servicio al cliente en nuestra fábrica si necesita ayuda para solucionar problemas, obtener partes o localizar a un representante de servicio autorizado de ROLAIR®

Para solicitar partes de repuesto:

11. Proporcione el número de modelo de la compresora
12. Proporcione el número de serie de la compresora
13. Nombre de la parte
14. Número de parte
15. Cantidad requerida

### REGISTRO DE INFORMACIÓN PERTINENTE

Haga aquí un registro permanente del modelo y el número de serie de su nueva compresora de aire. Ahorrará tiempo y gastos si incluye esta información de referencia al solicitar servicio o partes de repuesto.

Lugar y fecha de compra		Voltios
Modelo		HZ
N.º de serie		C. F.

Con el medidor del tanque a 0 psi (0 kPa) y las líneas de aire desconectadas, cierre las válvulas de drenado y registre el tiempo que tarda en acumularse la presión del tanque en el espacio que se proporciona. Pruebe la compresora periódicamente para comparar el resultado con este tiempo de bombeo a fin de determinar si funciona correctamente. Si el resultado de la prueba de tiempo difiere considerablemente, comuníquese con el representante local de ROLAIR® para solicitar servicio.

De 0 a ____ *psi (kPa)		
Fecha	Min.	Seg.

De 0 a ____ *psi (kPa)		
Fecha	Min.	Seg.



# ÍNDICE

Introducción y definiciones de advertencias de seguridad	2
Advertencias de seguridad. Riesgo de asfixia y explosión	3
Advertencias de seguridad. Riesgo de electrocución, descargas, explosión e incendio	3-4
Advertencias de seguridad. Riesgo de partes en movimiento, quemaduras y levantamiento	4
Advertencias de seguridad. Riesgo de objetos disparados, operación no segura y daños a la compresora o a la propiedad	4-5
Identificación de los sistemas de control	6
Lista de comprobaciones previas al inicio	7-9
Operación	9-10
Mantenimiento	10-12
Solución de problemas	13
Garantía	14

## INTRODUCCIÓN

¡Felicitaciones por la compra de su nueva compresora de aire ROLAIR®!

Con más de 50 años de experiencia en la fabricación de compresoras de aire ROLAIR® específicamente diseñadas para profesionales, Associate Engineering Corporation se ha ganado la reputación de proporcionar un producto insuperable en cuanto a calidad y confiabilidad. Estamos comprometidos con seguir con esta tradición mediante el análisis y la adaptación a las necesidades cambiantes y a las demandas rigurosas de la industria. Usted puede confiar en ROLAIR® porque están fabricadas para durar.

Este manual fue escrito para beneficio del operador. No utilice ni permita que alguien más utilice su compresora de aire sin antes haber leído y comprendido todas las instrucciones operativas y de seguridad de este manual. Mediante la lectura y seguimiento de las instrucciones de este manual, podrá alcanzar años de vida útil sin problemas de su nueva compresora de aire. Si después de leer este manual tiene alguna pregunta adicional sobre la seguridad o el funcionamiento, comuníquese con su distribuidor o con nuestro departamento de servicio al cliente. No quite ni pinte ninguna de las calcomanías de advertencia adheridas a la compresora.

### Definiciones: Advertencias de seguridad

En este manual se utilizan símbolos de seguridad para indicar al lector las situaciones con peligros potenciales. Las siguientes definiciones describen el nivel de gravedad de cada palabra de señalización.



PELIGRO:

Indica una situación peligrosa inminente que, si no se evita, PROVOCARÁ lesiones graves o la muerte.



ADVERTENCIA:

Indica una situación potencialmente peligrosa que, si no se evita, PODRÍA provocar lesiones graves o la muerte.



PRECAUCIÓN:

Indica una situación potencialmente peligrosa que, si no se evita, PUEDE provocar lesiones menores o moderadas o daños a la compresora de aire.



## ADVERTENCIA

El escape del motor de este producto contiene químicos que el estado de California sabe que provocan cáncer, defectos de nacimiento u otros daños reproductivos.



## ADVERTENCIA

No arranque, opere o dé servicio a la máquina hasta que haya leído y comprendido el manual del operador.






Pasar por alto esta indicación podría provocar lesiones graves.

## ADVERTENCIAS DE SEGURIDAD



LEA Y COMPRENDA TODAS LAS ADVERTENCIAS DE SEGURIDAD ANTES DE USAR LA COMPRESORA DE AIRE

Nivel de peligro	Potencial de peligro	Cómo evitar peligros
 <p><b>Riesgo de asfixia</b></p>	<p>La inhalación de aire comprimido puede provocar lesiones graves o la muerte. El chorro de aire puede contener monóxido de carbono, vapores tóxicos o partículas sólidas.</p> <p>Los materiales pulverizados como pintura, estuco, insecticidas, solventes, etc., contienen vapores dañinos y venenos que pueden provocar lesiones graves o la muerte si se los inhala.</p> <p>Inhalar el gas que emiten los motores pequeños a gasolina puede provocar lesiones graves o la muerte. Los vapores del escape del motor contienen monóxido de carbono venenoso, el cual es inodoro e incoloro.</p>	<p>Nunca inhale aire directamente de la bomba, el receptor o de un dispositivo de respiración conectado a la compresora de aire.</p> <p>Haga funcionar la compresora únicamente en un área bien ventilada. Utilice un dispositivo respirador y siga las recomendaciones del fabricante para el equipo de pulverización. Mantenga la compresora a al menos 25 pies (7.62 m) de distancia del equipo de pulverización.</p> <p>Haga funcionar las compresoras a gasolina únicamente en un área bien ventilada. Evite inhalar los vapores del escape del motor y nunca haga funcionar un motor pequeño a gasolina en un edificio cerrado o en un área cerrada sin la ventilación adecuada.</p>
 <p><b>Riesgo de explosión</b></p>	<p>Una explosión del tanque de aire puede provocar lesiones graves o la muerte si los tanques de aire no reciben mantenimiento adecuado o si se intenta realizar modificaciones, alteraciones o reparaciones de los receptores de aire.</p> <p>Realizar modificaciones de la válvula de descarga del piloto, el interruptor de presión, la válvula de seguridad o los demás componentes que controlan la presión del tanque podría provocar lesiones graves o la muerte.</p> <p>Se pueden presentar lesiones graves si se hacen funcionar accesorios o aditamentos por encima de la capacidad nominal de presión que recomienda el fabricante, lo que los haría explotar o salir disparados.</p>	<p>Drene los tanques de aire diariamente o después de cada uso. Nunca perfore, suelde, parche o modifique los tanques de aire. Si se produce una fuga, reemplace inmediatamente el tanque o reemplace toda la compresora.</p> <p>Nunca realice ajustes a los componentes que controlan la presión del tanque. No altere la configuración de fábrica de la presión operativa. Verifique el funcionamiento de la válvula de seguridad periódicamente y nunca encienda la compresora sin una válvula de seguridad aprobada por la fábrica.</p> <p>No utilice herramientas neumáticas ni aditamentos antes de leer el manual del propietario para determinar las recomendaciones de presión máxima. Nunca supere la capacidad nominal de presión máxima permitida del fabricante. No utilice la compresora para inflar objetos pequeños de baja presión, como juguetes.</p>
  <p><b>Riesgo de electrocución o descargas eléctricas</b></p>	<p>Se pueden presentar lesiones graves o la muerte si la compresora de aire no se conecta adecuadamente a tierra.</p> <p>Si la compresora no se hace funcionar correctamente, se pueden presentar descargas eléctricas.</p> <p>Cuando personas no capacitadas intentan realizar reparaciones eléctricas, se pueden presentar lesiones graves o la muerte.</p>	<p>Siempre conecte la compresora a una toma de corriente que esté conectada adecuadamente a tierra y que ofrezca el voltaje correcto, la conexión a tierra apropiada y la protección adecuada mediante fusibles.</p> <p>Nunca haga funcionar la compresora de aire en condiciones húmedas o en exteriores cuando esté lloviendo. No permita que los cables eléctricos estén en el agua. No la haga funcionar con cables eléctricos dañados o sin las cubiertas de protección eléctrica. No toque el enchufe con las manos húmedas. No jale el cable eléctrico para desconectarlo de la toma de corriente.</p> <p>Toda reparación y todo cableado eléctrico que se realice en esta compresora deberá ser realizado por técnicos de servicio autorizados según las normas eléctricas nacionales y locales.</p>

# ADVERTENCIAS DE SEGURIDAD (continuación)

 <p><b>Riesgo de explosión o incendio</b></p>	<p>Las chispas eléctricas normales que se producen dentro del motor y/o del interruptor de presión pueden provocar lesiones graves o la muerte.</p> <p>Se pueden producir lesiones graves si se produce un incendio por sobrecalentamiento debido a una ventilación inadecuada o a restricciones de alguna de las aberturas de ventilación de la compresora.</p> <p>Se pueden producir lesiones graves o la muerte por incendio o explosión si los derrames de gasolina o los vapores entran en contacto con las partes calientes del motor y se encienden.</p>	<p>Siempre haga funcionar la compresora en un área bien ventilada y libre de materiales combustibles, gasolina, vapores o solventes inflamables. Siempre sitúe la compresora a al menos 20 pies (6 m) de distancia del área de trabajo si va a rociar materiales inflamables.</p> <p>Nunca apoye objetos en la compresora ni los coloque sobre la misma. Siempre haga funcionar la compresora de aire a al menos 18 pulgadas (45 cm) de distancia de cualquier muro u obstrucción. Siempre utilícela en un área limpia, seca y bien ventilada.</p> <p>Nunca intente llenar el tanque de gasolina mientras el motor esté caliente o en funcionamiento. Agregue el combustible en exteriores y en un área bien ventilada. No llene el tanque de gasolina cerca de cigarrillos encendidos ni cerca de otras fuentes de ignición.</p>
 <p><b>Riesgos de partes en movimiento</b></p>	<p>Las partes en movimiento, como correas, poleas, volantes o ventiladores, pueden producir lesiones graves si entran en contacto con su ropa o con usted.</p> <p>Una compresora de aire eléctrica con controles automáticos puede volver a arrancar en cualquier momento y provocar lesiones físicas cuando menos se espere.</p> <p>Si se intenta realizar reparaciones sin las protecciones, cubiertas o resguardos en su sitio, se pueden producir lesiones graves.</p>	<p>Nunca haga funcionar la compresora de aire sin las protecciones de las correas instaladas. Reemplace inmediatamente las protecciones o las cubiertas protectoras dañadas.</p> <p>Siempre desconecte la compresora de aire y drene completamente los tanques de aire antes de tratar de realizar reparaciones o de darle mantenimiento. Nunca permita que niños o adolescentes utilicen la compresora de aire.</p> <p>Todas las reparaciones de la compresora de aire deberán ser realizadas exclusivamente por técnicos de servicio autorizados o capacitados.</p>
 <p><b>Riesgo de quemaduras</b></p>	<p>Se pueden producir lesiones graves por quemaduras si se tocan las partes metálicas al descubierto, como el cabezal de la compresora, las líneas de descarga trenzadas/de cobre y el silenciador de escape del motor mientras se está utilizando, e incluso después de que la compresora haya estado apagada durante cierto tiempo.</p>	<p>Nunca toque las partes metálicas al descubierto mientras la compresora de aire está funcionando y durante un periodo prolongado después de que haya estado apagada.</p> <p>No trate de dar mantenimiento a la unidad hasta que la haya dejado enfriar completamente.</p>
 <p><b>Riesgo de lesiones por levantamiento</b></p>	<p>Se pueden producir lesiones graves al tratar de levantar un objeto que es demasiado pesado.</p>	<p>Siempre obtenga ayuda de otras personas antes de tratar de levantar cualquier objeto que sea demasiado pesado para una persona.</p>
 <p><b>Objetos que salen disparados</b></p>	<p>Los residuos sueltos que salen disparados a alta velocidad desde el chorro de aire comprimido pueden producir lesiones graves.</p>	<p>Siempre utilice gafas de seguridad "287" requeridas por OSHA para proteger sus ojos durante el funcionamiento de la compresora de aire. Nunca apunte las herramientas ni el chorro de aire a cualquier parte de su cuerpo, de otras personas o de animales.</p> <p>Siempre apague la compresora de aire y drene completamente la presión de aire del tanque antes de darle mantenimiento o de conectar herramientas de aire.</p>

## ADVERTENCIAS DE SEGURIDAD (continuación)

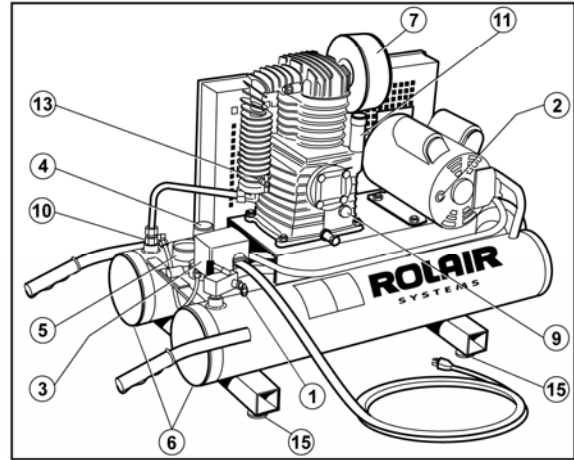
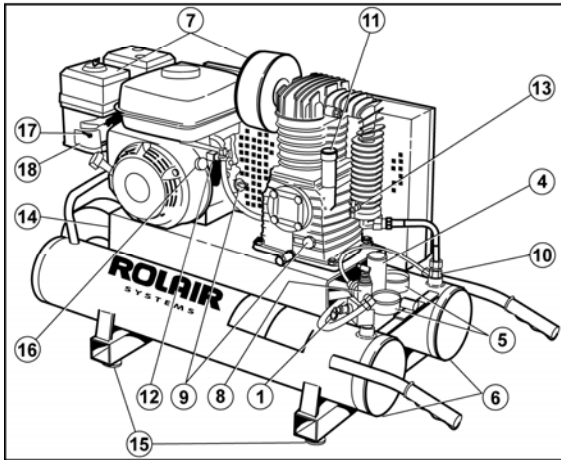
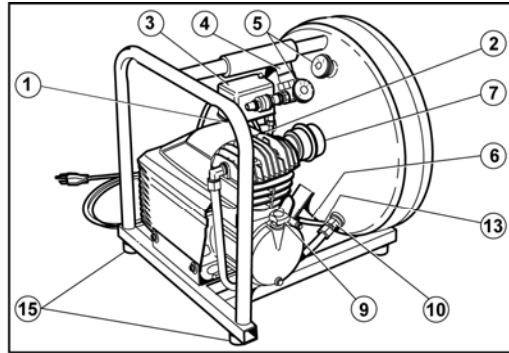
 <p><b>Advertencia</b> <b>Riesgo de uso no seguro</b></p>	<p>Usted u otras personas pueden sufrir lesiones graves o la muerte si la compresora de aire se utiliza de manera <u>no segura</u>.</p>	<p>Revise y comprenda todas las instrucciones y advertencias del manual del propietario. Sepa cómo apagar la compresora de aire. No la utilice hasta que se haya familiarizado completamente con todos los controles. No utilice la compresora si está cansado o bajo la influencia del alcohol o drogas. Cuando utilice la compresora, manténgase siempre alerta y atento a la tarea que ejecuta.</p>
 <p><b>Precaución</b> <b>Riesgo de daños a la compresora de aire o la propiedad</b></p>	<p>Si la compresora de aire no se transporta o utiliza correctamente, puede provocar gastos mayores de reparación. Las fugas de aceite dañarán alfombras, superficies pintadas, pisos y otros artículos.</p>	<p>Revise los niveles de aceite y mantenga los niveles de aceite adecuados. Siempre encienda la compresora en una posición nivelada y segura que evite que se incline o se vuelque durante su uso. No la utilice sin un filtro de aire o en un entorno corrosivo.</p> <p>Siempre transpórtela en posición nivelada y utilice tapetes protectores para mantener limpias las cajas de camionetas, etc. Revise los pernos de drenado periódicamente y no sobrepase el nivel de aceite de la máquina.</p>

Tenga en cuenta que es posible que este producto no esté equipado con un silenciador cortachispas. Si la compresora se hace funcionar cerca de materiales inflamables o cultivos agrícolas, maleza, bosques y pastizales, se deberá instalar un cortachispas aprobado y mantenerlo en buenas condiciones de funcionamiento. La sección 130050 del Código de Recursos Públicos de California, secciones 4442 y 4443, establece el uso obligatorio de un cortachispas aprobado en el estado de California.

Este producto contiene químicos, incluyendo plomo, que el estado de California sabe que provocan cáncer, defectos de nacimiento u otros daños reproductivos. Siempre lávese las manos después de manejar este producto.



# CONTROLES DEL SISTEMA



(1) **VÁLVULA DE SEGURIDAD** Cada compresora de aire ROLAIR® está equipada con una válvula de seguridad que está diseñada para descargar la presión de descarga del tanque a un valor predeterminado cuando se presenta una falla en el sistema. Revise periódicamente la válvula de seguridad jalando el anillo solamente cuando se haya drenado completamente la presión del tanque. La válvula de resorte se deberá mover libremente dentro del cuerpo de la válvula de seguridad. Si la válvula de seguridad no funciona, ésta podría permitir que se acumule una cantidad excesiva de presión en el tanque, lo que provocaría la explosión o ruptura catastrófica del tanque de aire.



**No altere la válvula de seguridad ni intente eliminarla.**

(2) **SOBRECARGA MANUAL/REINICIO DEL MOTOR** Cada compresora de aire eléctrica ROLAIR® está fabricada con protección de sobrecarga manual. Si el motor se sobrecalienta, el sensor de sobrecarga *accionará* el botón de reinicio para proteger el motor. Si esto ocurre, deje que el motor se enfríe durante aproximadamente cinco minutos. Localice y presione el botón de reinicio. El uso de un cable de extensión de calibre pequeño o de longitud excesiva podría ser la causa del sobrecalentamiento. Reevalúe la fuente de alimentación y el calibre o la longitud del cable de extensión que utiliza. (Consulte la tabla en la página 8)

(3) **INTERRUPTOR DE PRESIÓN** La mayoría de las compresoras de aire eléctricas funcionan mediante el uso de un interruptor de presión. Siempre asegúrese de que la palanca se encuentre en la posición de "Apagado" antes de conectar el cable de alimentación. Al mover la palanca a la posición de "Encendido/Automático", la compresora arrancará y se apagará automáticamente dentro de los valores del interruptor de presión que normalmente son de 105 a 130 psi (724 a 896 kPa). No trate de apagar la compresora desconectando el cable de alimentación. Para apagarla, simplemente mueva la palanca a la posición de "Apagado". La palanca acciona una válvula de seguridad que libera la presión del cabezal y permite que la compresora se reinicie sin carga la siguiente vez que se utilice.

(4) **REGULADOR: PRESIÓN OPERATIVA** Para ajustar la presión de línea/salida, levante la perilla de ajuste del regulador y gírela en el sentido de las manecillas del reloj para aumentar la presión operativa o en sentido contrario para reducirla. Presione la perilla de ajuste nuevamente hacia abajo para fijar el valor. Nunca supere la capacidad nominal de presión máxima permitida del fabricante de la herramienta que se utiliza o del artículo que se infla.

(5) **MEDIDORES DE PRESIÓN** Normalmente, la mayoría de las compresoras están diseñadas con un medidor que mide la presión de almacenamiento o del tanque y otro medidor conectado al regulador que indica la presión operativa o de salida.

(6) **VÁLVULAS DE DRENADO** Hay una o más válvulas de drenado instaladas que permiten drenar diariamente la humedad de los tanques de almacenamiento de la compresora. Abra las válvulas con cuidado y lentamente para evitar que escamas, óxido o residuos salgan disparados a gran velocidad.

## CONTROLES DEL SISTEMA (continuación)

**(7) FILTRO DE ADMISIÓN DE AIRE** Los filtros de admisión de aire se instalan para evitar que se introduzca materia extraña al motor o a la bomba de la compresora. Revise los elementos de la admisión diariamente y límpielos o reemplácelos si es necesario. Se puede usar agua jabonosa tibia o aire comprimido a baja presión para limpiar los elementos. Revise los recipientes de entrada o los codos en busca de grietas o sellos rotos y reemplácelos si encuentra problemas estructurales.

**(8) VÁLVULA DE DESCARGA DE PILOTO** Se usa una válvula de descarga de piloto en todas las unidades a gasolina y se pueden usar en compresoras de aire eléctricas para funcionar de manera continua. Cuando el tanque de almacenamiento alcanza el valor de presión máxima de la válvula piloto, el aire comprimido se descarga en la atmósfera y no en el tanque de almacenamiento. Cuando la presión del tanque disminuye por debajo del valor de presión mínima de la válvula piloto, el aire comprimido se desvía al tanque de aire. No trate de reemplazar la válvula piloto sin drenar primero completamente la presión del tanque. Consulte la figura 3 para obtener instrucciones de ajuste y de afinación. No ajuste los valores de manera que estén fuera de las siguientes recomendaciones de fábrica.

Clasificación	Valor de presión
Compresora de acción directa	105-130 psi (724 a 896 kPa)
Compresora de etapa I	110-135 psi (758 a 931 kPa)
Compresora de etapa II	130-150 psi (896 a 1034 kPa)

**(9) INDICADOR/VARILLA DE MEDICIÓN DEL NIVEL DE ACEITE** Antes de la operación diaria, tenga el hábito de revisar el nivel de aceite de la bomba y el motor de la compresora (si la compresora funciona a gasolina). Todas las compresoras de aire de mano de acción directa tienen una varilla de medición del nivel de aceite que facilita la revisión y el mantenimiento del nivel de aceite adecuado. La varilla de medición del nivel de aceite también funciona como ventilación del cárter. Nunca haga funcionar una unidad de acción directa sin la varilla de medición del nivel de aceite que recibió de la fábrica. Nuestras compresoras de aire accionadas por correa están equipadas con un indicador que facilita la tarea diaria de revisar el nivel de aceite. Siempre mantenga el nivel de aceite en 2/3 del total del indicador.

**(10) VÁLVULA DE RETENCIÓN** Todas las compresoras de aire ROLAIR® están fabricadas con una válvula de retención que sella y mantiene la presión del tanque después de haber alcanzado el valor de presión máxima de la válvula piloto o del interruptor de presión. La válvula de retención funciona en combinación con la válvula de seguridad del interruptor de presión para proporcionar un arranque sin carga a la compresora. Una breve ráfaga de aire que escapa de la válvula de seguridad del interruptor de presión después de que la unidad alcanza el valor máximo indica que la válvula de retención funciona correctamente. Si, después de detenerse, la compresora tiene una fuga misteriosa que no se puede encontrar en otra parte, es posible que la válvula de retención requiera una reparación o un reemplazo.

**(11) RESPIRADERO/TAPÓN DE LLENADO DE ACEITE** Todas las bombas de las compresoras de aire recíprocantes incluyen una ventilación de cárter que alivia la presión que se acumula debido al movimiento descendente del pistón en el cilindro de la bomba. Nuestras compresoras de aire de acción directa expulsan la presión del cárter a través de puertos especiales en la varilla de medición del nivel de aceite. Nuestras unidades accionadas por correa respiran a través del tapón de llenado de aceite. Nunca haga funcionar una compresora de aire sin la varilla de medición del nivel de aceite o sin el tapón de llenado de aceite.

**(12) CONTROL DE RALENTÍ AUTOMÁTICO** Todas las compresoras de aire a gasolina ROLAIR® incluyen un kit de control de ralentí de motor que disminuye automáticamente la velocidad del motor cuando se alcanza el valor de presión máxima de la válvula de descarga de piloto. El valor de r.p.m. máximo del motor lo establece la fábrica para proporcionar el rendimiento y la vida útil máximos. No altere el valor de r.p.m. máximo del motor establecido por la fábrica. La velocidad de ralentí del motor se establece en la fábrica y se controla mediante un destornillador de cabeza Philips de plástico en el carburador. Puede ser necesario aumentar ligeramente la velocidad de ralentí cuando se utiliza en bajas temperaturas. Gire el tornillo en el sentido de las manecillas del reloj en incrementos de 1/4 de vuelta para aumentar la velocidad de ralentí. Si el valor de la velocidad de ralentí es demasiado bajo, se producirá una falla prematura de la bujía.

**(13) VÁLVULA DE ARRANQUE EN FRÍO** La mayoría de las compresoras de aire de acción directa tienen una válvula automática de arranque en frío que permite que el motor o la bomba se calienten antes de verse sometidos a la presión del tanque. Nuestras unidades portátiles accionadas por correa tienen una válvula de drenado manual instalada en el postenfriador de la bomba que ayuda en los arranques a bajas temperaturas. Abra la válvula de drenado y deje que el motor y la bomba funcionen *descargados* durante un minuto para calentarse. Cierre la válvula de drenado y repita el procedimiento si el motor tiene dificultades.

**(14) DISPOSITIVO TENSOR DE CORREAS SCHMIDT (SOLO PARA UNIDADES A GAS)** Todas las compresoras de aire portátiles a gas accionadas por correa ROLAIR® tienen un sistema exclusivo para mantener la tensión adecuada de la correa. Afloje las contratueras de 1/2 pulgada (1.27 cm) (sólo hasta que las arandelas debajo de ella giren libremente) que sujetan el motor y gire el perno de rosca fina que se encuentra en el extremo del volante de la placa base en el sentido de las manecillas del reloj hasta alcanzar la tensión deseada de la correa. (Consulte el dibujo en la sección de instrucciones operativas para conocer la tensión adecuada) Vuelva a ajustar las contratueras de 1/2 pulgada (1.27 cm) para sujetar el motor y mantener el valor de tensión deseada de la correa.

**(15) AMORTIGUADORES DE VIBRACIÓN** Las almohadillas de hule instaladas debajo de cada unidad de tanque portátil ROLAIR® son muy importantes para el funcionamiento adecuado de la compresora de aire. Proporcionan protección contra las vibraciones que, si no se controlan, podrían provocar daños a muchos componentes del sistema.

## **CONTROLES DEL SISTEMA (continuación)**

**(16) INTERRUPTOR DE PARO DEL MOTOR** Se tiene instalado un interruptor de paro para apagar fácilmente el motor. No trate de mover la palanca de acelerador (como se describe en el manual del propietario de Honda) cuando apague el motor. La palanca de acelerador del motor está configurada en fábrica y está asegurada en un valor máximo de r.p.m. que brindará el máximo rendimiento y vida útil de toda la compresora de aire. El interruptor de paro se debe cambiar a la posición de "Encendido" antes de jalar la cuerda de rebobinado para arrancar el motor.

**(17) AHOGADOR DEL MOTOR** Mover la palanca del ahogador completamente a la izquierda (posición cerrada) ayudará a arrancar un motor frío. Consulte también las instrucciones de la válvula de arranque en frío (punto n° 13). Después del arranque, se debe mover la palanca del ahogador completamente a la derecha (posición abierta) para que el motor funcione correctamente. Si el motor se hace funcionar con la palanca del ahogador parcialmente cerrada, se producirá una falla de la bujía y la acumulación excesiva de carbón interno.

**(18) VÁLVULA DE CIERRE DE COMBUSTIBLE** La válvula de cierre de combustible se deberá mover a la posición de "Abierta" (completamente a la derecha) únicamente cuando el motor esté en funcionamiento. Siempre cierre el flujo de combustible moviendo la válvula de cierre completamente a la izquierda cuando el motor no esté en funcionamiento. No mueva ni transporte la compresora de aire con la válvula de combustible en posición abierta.

## **LISTA DE COMPROBACIONES PREVIAS AL INICIO**

Lea el manual del propietario completamente. Asegúrese de comprender completamente todas las advertencias de seguridad, los sistemas de control y las instrucciones que se incluyen antes de tratar de hacer funcionar esta compresora de aire. Se han hecho todos los esfuerzos por ofrecerle la información necesaria para obtener muchos años de servicio confiable y sin problemas de su nueva compresora de aire. El uso correcto de la compresora de aire es su responsabilidad. Para obtener la máxima vida útil posible de la compresora de aire, siempre deberá tener presentes las siguientes instrucciones.

### **21. SIEMPRE HAGA FUNCIONAR LA COMPRESORA EN POSICIÓN NIVELADA**

Las bombas que se lubrican por salpicadura tienen una varilla medidora en la parte inferior de la varilla de conexión que se debe mantener sumergida en el aceite. Hacer funcionar la unidad a un ángulo de más de 10 grados provocará que la bomba se obstruya, y esto anulará la garantía del producto.

### **22. UTILÍCELA EN UN ÁREA LIMPIA, SECA Y BIEN VENTILADA**

Deje un espacio de al menos 18 pulgadas (45.72 cm) detrás de la protección de la correa para lograr un enfriamiento adecuado de la bomba con la corriente del volante. No haga funcionar la unidad bajo la lluvia o en áreas de agua estancada. Nunca la haga funcionar en un área en donde existan otros gases, humos o vapores que puedan explotar al comprimirse. No haga funcionar la compresora en un área cerrada.

### **23. REVISE DIARIAMENTE EL NIVEL DE ACEITE Y CÁMBIELO A INTERVALOS REGULARES**

Consulte la sección de mantenimiento de este manual del propietario para conocer el tipo y viscosidad correctos del aceite que se debe usar y la frecuencia con la que se debe cambiar el aceite. Revise los niveles de aceite diariamente.

### **24. INSPECCIONE/LIMPIE/CAMBIE PERIÓDICAMENTE LOS ELEMENTOS DE ADMISIÓN**

La introducción de suciedad en la bomba y el motor es la causa principal del desgaste prematuro. Ponga especial atención a los filtros de admisión. Revise diariamente los filtros de admisión.

### **25. UTILICE UNA MANGUERA DE AIRE DEL TAMAÑO ADECUADO EN VEZ DE CABLES DE EXTENSIÓN**

Si es necesario usar un cable de extensión, consulte la tabla que aparece a continuación para conocer el calibre adecuado y la longitud máxima que se pueden usar. El uso de una manguera de aire del tamaño inadecuado también producirá caídas de presión por fricción que podrían afectar el rendimiento adecuado de sus herramientas neumáticas.

### **26. NO UTILICE UN GENERADOR COMO FUENTE DE ALIMENTACIÓN**

Las compresoras de aire utilizan motores inductivos que requieren consumir un amperaje de carga completa de 3 a 5 veces más para arrancar correctamente. La mayoría de los generadores no producirán la potencia necesaria para arrancar correctamente este tipo de motor eléctrico.

### **27. REVISE LA TENSIÓN DE LOS PERNOS, LAS CORREAS Y LOS ACCESORIOS PERIÓDICAMENTE**

Utilizar cualquier equipo con pernos o conexiones flojos producirá una vibración excesiva y la falla prematura de los componentes de control de la compresora.

### **28. MANTENGA LAS ALMOHADILLAS ANTIVIBRACIÓN DE HULE**

La vibración excesiva es una causa principal de fallas prematuras de la compresora. Siempre mantenga las almohadillas antivibración de hule colocadas debajo de la unidad de tanque. Usar la unidad sin ellas anulará la garantía.

### **29. DRENE DIARIAMENTE LA HUMEDAD DE LOS TANQUES DE AIRE**

El agua es un producto derivado natural del aire comprimido. Drene los tanques de aire después de cada uso a fin de combatir la corrosión interna de los mismos. Mantenga cerradas las válvulas de drenado si va a guardar la compresora durante algún tiempo.



## TABLA DE CABLES ELÉCTRICOS DE EXTENSIÓN

Extensión Longitud del cable	Calibre mínimo del cable	
	Motor 1/2 y 3/4 caballos de fuerza	Motor 1, 1 1/2 y 2 caballos de fuerza
Hasta 25 pies (7.62 m)	14 galones (52.99 l)	12 galones (45.42 l)
25 a 50 pies (7.62 a 15.24 m)	12 galones (45.42 l)	10 galones (37.85 l)
50 a 100 pies (15.24 a 30.48 m)	10 galones (37.85 l)	12 galones (45.42 l)

**30. NO MODIFIQUE EL VALOR DE R.P.M. DE FÁBRICA DE LAS COMPRESORAS A GASOLINA.** El brazo del acelerador está configurado en la fábrica y asegurado en su posición a las r.p.m. que proporcionarán el máximo rendimiento, consumo de combustible y vida útil. Si modifica este valor la garantía quedará anulada.

## OPERACIÓN

**ADVERTENCIA:** Su seguridad y el bienestar de otros durante la operación de todas las compresoras ROLAIR® es nuestra principal preocupación. No haga funcionar la compresora de aire, ni permita que nadie más lo haga, hasta que haya leído y comprendido completamente la información de este manual. Comuníquese con su distribuidor o con nuestro departamento de servicio al cliente si tiene alguna pregunta acerca del uso correcto de su compresora de aire.

### ELÉCTRICA DE ACCIÓN DIRECTA

Asegúrese de que la compresora de aire esté lista para funcionar revisando los temas y la información que se ofrecen en la sección "Lista de comprobaciones previas al arranque" de este manual. Abra lentamente el drenado del tanque para eliminar cualquier condensación que se haya acumulado y mantenga el drenado abierto durante unos cuantos segundos después de arrancar la unidad de motor/bomba para calentarla. Asegúrese de que la palanca del interruptor de presión esté en la posición de "Cerrado" antes de conectar el cable de alimentación en una toma de corriente con conexión a tierra. Mueva la palanca del interruptor de presión a la posición "Encendido/Automático" para acumular y mantener automáticamente el valor de presión máxima del tanque. Gire la perilla de ajuste del regulador en sentido contrario al de las manecillas del reloj hasta que el medidor integrado indique 0 psi (0 kPa) antes de conectar la manguera de aire y el accesorio. Establezca la presión operativa girando la perilla de ajuste del regulador en el sentido de las manecillas del reloj en presión operativa de acuerdo con las especificaciones que proporciona el fabricante de la herramienta. Siempre use la palanca del interruptor de presión "Encendido (automático)/Apagado" para arrancar o apagar la compresora de aire. **Nunca** detenga la compresora desconectándola de la fuente de alimentación. Guarde la compresora en un lugar tibio y seco y realice el mantenimiento como se indica en el manual.

### ELÉCTRICA ACCIONADA POR CORREA

#### OPERACIÓN DE ARRANQUE/APAGADO:

Siga los mismos procedimientos descritos anteriormente para usar las compresoras eléctricas de acción directa. Abra la válvula de drenado ubicada en el postenfriador de la bomba para arrancar en frío. El motor eléctrico accionado por correa no deberá someterse a más de 15 arranques por hora. Consulte al distribuidor o a cualquier centro de servicio autorizado de ROLAIR® para obtener información acerca de un kit de conversión si experimenta dificultades de accionamiento del dispositivo de sobrecarga del motor debido a una cantidad excesiva de arranques por hora.

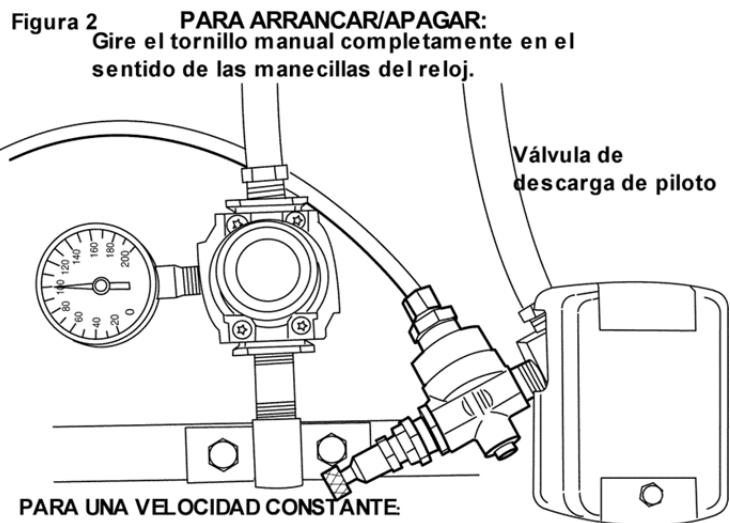
#### FUNCIONAMIENTO A VELOCIDAD CONSTANTE:

Se debe usar una velocidad constante o funcionamiento continuo durante periodos de uso intenso para extender la vida útil del motor y evitar sobrecalentamientos. **Si la máquina está fabricada para funcionar solo continuamente, se deberá poner atención especial para arrancar y apagar la máquina de manera segura.** Siempre desactive la electricidad de la toma de corriente desde el interruptor principal o el interruptor opcional de encendido y apagado antes de conectar o desconectar el cable de alimentación.

También se recomienda enfáticamente que complete el drenado de los tanques de almacenamiento y que abra la válvula de drenado del postenfriador antes de arrancar la unidad, en particular cuando se utilice en bajas temperaturas. **Nunca apague la compresora jalando del enchufe para sacarlo de la toma de corriente. Use el interruptor o el interruptor opcional de encendido y apagado para desactivar primero la electricidad de la toma de corriente.**

#### FUNCIONAMIENTO DE DOBLE CONTROL:

Los controles dobles permiten cambiar fácilmente de un funcionamiento de arranque y apagado a uno continuo, y viceversa. Consulte la figura 1 para obtener instrucciones para cambiar el funcionamiento de arranque y apagado a una velocidad constante. Siempre cambie la palanca del interruptor de presión a la posición de "apagado" antes de conectar o desconectar el cable de alimentación.



## OPERACIÓN (continuación)

### CICLO DE OPERACIÓN:

Todas las compresoras de aire accionadas por correa ROLAIR® están equipadas con motores y bombas con ciclo de operación S1 o del 100 %. Si tiene una ventilación y energía eléctrica adecuadas, su compresora ROLAIR® puede funcionar continuamente si la configura para que funcione a una velocidad constante. Sin embargo, una cantidad excesiva de arranques por hora puede generar suficiente calor para sobrecargar el motor. Comuníquese con el departamento de servicio al cliente en nuestra fábrica si los problemas de sobrecarga ocurren reiteradamente.

Varias máquinas de acción directa ROLAIR®, modelos FC1500HBP2, FC1500HS3 y JC10, están clasificadas para un ciclo de operación del 70 %. Si se somete una compresora a un funcionamiento continuo, la sobrecarga interna apagará el motor y únicamente se reiniciará cuando se haya enfriado lo suficiente.

### DE GAS

Consulte los puntos 12, 16, 17 y 18 de la sección "Controles del sistema" de este manual para obtener información acerca del control automático de ralentí del motor, el interruptor de paro, el ahogador y la válvula de cierre de combustible. Tenga en cuenta también que el brazo del acelerador del motor está inmovilizado en un valor máximo de r.p.m. que proporcionará la máxima vida útil y no necesita moverse para arrancar o apagar la máquina. Puede encontrar más instrucciones en el manual del propietario del motor. Use la válvula de drenado que se encuentra en el postenfriador de la bomba o en el interenfriador para realizar arranques en frío. Ponga especial atención a evitar la introducción de suciedad y residuos en el tanque de combustible o la obstrucción del flujo de aire por el motor o por la bomba. Asegúrese de que el flujo de aire del regulador esté completamente cerrado (el medidor integrado indica 0 psi [0 kPa]) antes de conectar la manguera de aire y los accesorios. Es normal que se produzca un leve ruido de *siseo* debido al flujo de aire que se desvía a la atmósfera durante el ralentí del motor. Guarde la compresora en un lugar tibio y seco y realice el mantenimiento como se indica en los manuales.

### FUNCIONAMIENTO A GRANDES ALTITUDES:

Debido a una disminución de la presión atmosférica, las bombas de las compresoras de aire producen menos CFM (pies<sup>3</sup>/min) a mayor elevación. Como regla general, la salida disminuirá aproximadamente un tres por ciento por cada 1000 pies (304 m) de elevación. Además, puesto que a mayor elevación el aire es menos denso y no se enfría tan bien, los motores eléctricos no pueden someterse a la capacidad completa de amperaje de factor de servicio de placa de identificación y es posible que deban acondicionarse para evitar el sobrecalentamiento reiterado.

Es posible que las compresoras de acción directa o de mano fabricadas con válvulas de arranque en frío deban modificarse al funcionar a mayor elevación. Es posible que los carburadores de las compresoras de aire a gasolina también deban cambiarse para que funcionen adecuadamente a mayor elevación. Comuníquese con el departamento de servicio al cliente en nuestra fábrica si su compresora de aire que normalmente funciona de manera confiable deja de funcionar correctamente a mayor elevación.

## MANTENIMIENTO

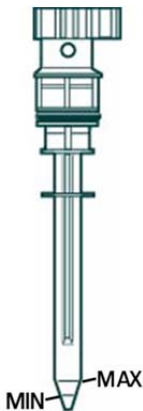
Su nueva compresora de aire representa la mejor ingeniería y construcción que están disponibles. Hasta la mejor maquinaria requiere mantenimiento periódico. Aplique el cronograma de mantenimiento y considere las sugerencias siguientes para mantener su compresora en condiciones óptimas.

**NOTA:** Siempre desconecte o apague la compresora y drene los tanques de aire completamente antes de intentar dar cualquier tipo de mantenimiento. Espere a que la compresora se enfríe antes de darle servicio.

**IMPORTANTE:** Reemplace el aceite después de las primeras 50 horas de operación.

### CONSEJOS DE MANTENIMIENTO:

- 1) Utilice una solución de agua jabonosa para revisar si hay fugas de aire.
- 2) Nunca limpie los filtros con un solvente inflamable.
- 3) Reajuste los pernos del cabezal sólo después de que la bomba se haya enfriado.
- 4) Mueva el motor 1/4 pulgada (0.63 cm) y vuelva a colocar las correas para aumentar la tensión de las mismas en las unidades eléctricas.
- 5) Nunca aplique soldadura en los tanques de aire.
- 6) Aplique calor para aflojar el sello Loctite en las válvulas de drenado, las poleas del motor y los volantes antes de tratar de quitarlo.



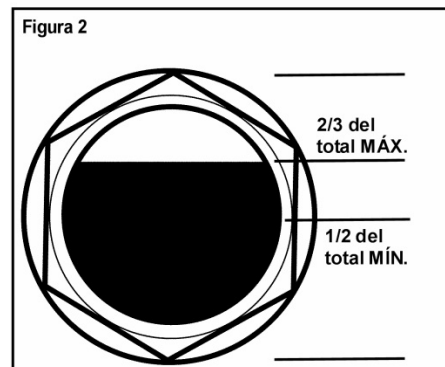
### LUBRICACIÓN

Antes de cada uso, tenga el hábito de revisar el nivel de aceite de la bomba. La mayoría de las compresoras de aire de acción directa tienen una varilla de medición del nivel de aceite con marcas grabadas que indican los niveles mínimo y máximo aceptables de aceite. Nuestras bombas accionadas por correa tienen un indicador, que se encuentra en el exterior del cárter, para facilitar aún más la tarea. Siempre mantenga el nivel de aceite en la marca máxima de la varilla de medición del nivel de aceite o a 2/3 del total del indicador.

**No** haga funcionar la bomba si tiene una cantidad inadecuada o excesiva de aceite. El costo de las fallas que ocurran debido a niveles de aceite incorrectos de aceite no estará cubierto por la garantía.

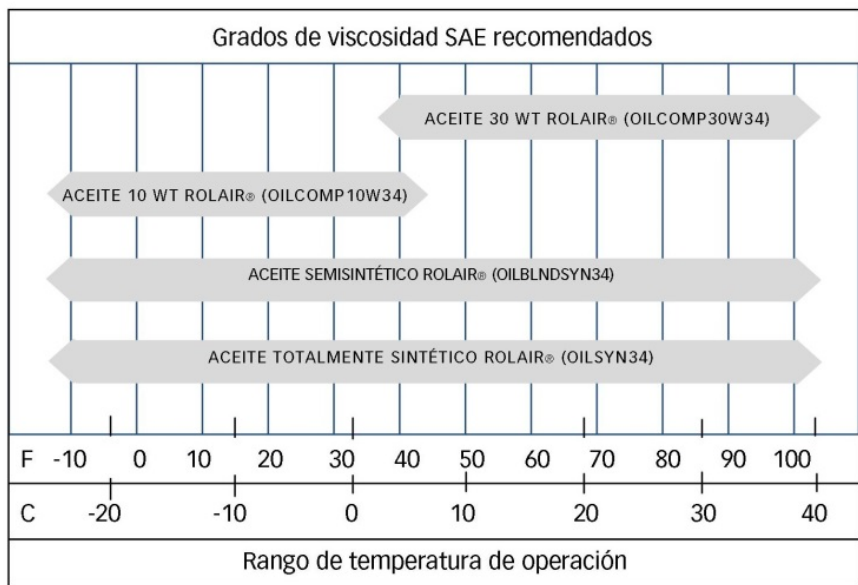
**¡NO USE UN ACEITE DETERGENTE!**

**NOTA:** La unidad deberá estar nivelada cuando esté funcionando



**MANTENIMIENTO (continuación)**

**TABLA DE ACEITES**



- El aceite 10 WT o 30 WT estándar ROLAIR® debe cambiarse cada 200-400 horas después del periodo de asentamiento.
- El aceite semisintético ROLAIR® debe cambiarse cada 1,000-2,000 horas.
- El aceite totalmente sintético ROLAIR® debe cambiarse cada 2,000-4,000 horas.

**CRONOGRAMA DE MANTENIMIENTO**

Recomendación	Diariamente	Semanalmente	Mensualmente	Trimestralmente
Revisar nivel de aceite	X			
Drenar humedad de los tanques	X			
Inspeccionar filtros de aire	X			
Revisar si hay ruido o vibración inusuales	X			
Inspeccionar la protección de la correa	X			
Revisar si hay fugas de aire o aceite	X			
Limpiar el exterior de la compresora de aire		X		
Revisar la condición de las almohadillas antivibración		X		
Ajustar/reajustar los pernos		X		
Revisar la tensión de la correa		X		
Revisar el funcionamiento de la válvula de seguridad		X		
Cambiar el aceite de la compresora			X	
Limpiar/cambiar el filtro de aire			X	
Realizar una prueba de tiempo de bombeo			X	
Revisar el funcionamiento de los controles del sistema				X
Revisar los tanques en busca de fugas o abolladuras				X

**TABLA DE PARES DE TORSIÓN (PULGADAS/LIBRAS)**

Tipo de bomba	De acción directa	K12	K17	K18	K24	K28	K30
Pernos del cabezal	96	243	243	243	243	347	347
Pernos del cilindro	120	182	182	182	182	330	330
Pernos del portacojinete	N/A	130	130	130	130	130	130
Pernos de la varilla de conexión	N/A	121.5	121.5	121.5	121.5	121.5	173.6
Volante	N/A	243	382	382	382	477	477

Determine el tipo de bomba mediante el sufijo o el número de modelo (ejemplo: 4090HK17 utiliza la bomba K17)

**AJUSTE DE LA VÁLVULA PILOTO**

**CÓMO RESTABLECER EL DIFERENCIAL (2)**

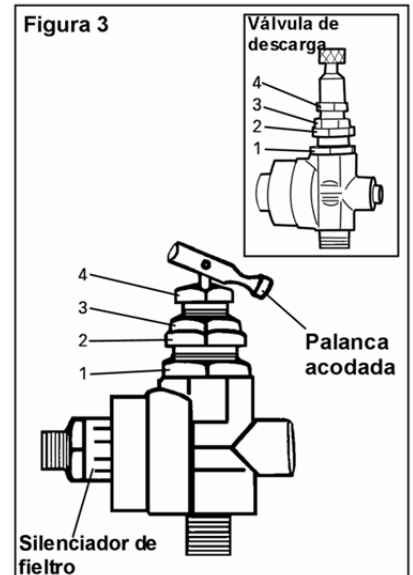
Asegúrese de que la palanca acodada superior esté colocada como se muestra. (Consulte la figura 3). Afloje la contratuerca (1) girándola varias vueltas completas en sentido contrario al de las manecillas de reloj. Cambie suavemente el valor del diferencial (2) en el sentido de las manecillas del reloj hasta que la varilla interna toque la bola de acero en el interior. Después de hacer contacto, gire el diferencial (2) en sentido contrario al de las manecillas del reloj 1/4 de vuelta. Asegure la posición ajustando la contratuerca (1) y prosiga con el valor máximo.

**VALOR MÁXIMO (4)**

Afloje la contratuerca (3) girándola varias vueltas completas en sentido contrario al de las manecillas de reloj. (4) es el valor máximo. Al girar (4) en el sentido de las manecillas del reloj aumentará el valor de presión máximo. Al girar en sentido contrario al de las manecillas del reloj disminuirá el valor de presión máximo. Comience con un valor bajo girando en sentido contrario al de las manecillas del reloj una vuelta completa. Prosiga con las instrucciones de afinación.

**INSTRUCCIONES DE AFINACIÓN**

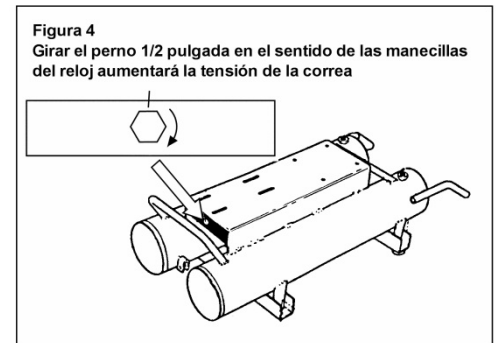
Arranque el motor y observe el medidor de presión del tanque. Conforme la presión del tanque se acerque a los 100-130 P.S.I.G. (689 a 896 kPa de manómetro), la válvula piloto deberá comenzar a descargarse en el silenciador de fieltro y provocar que el motor a gasolina reduzca su velocidad hasta la velocidad de ralentí. Si la válvula piloto no se descarga cuando la presión del tanque se aproxima a 130 P.S.I.G. (896 kPa de manómetro), gire lentamente la perilla del valor máximo (4) en sentido contrario al de las manecillas del reloj hasta que el piloto comience a descargarse prematuramente (a 100 P.S.I.G. [689 kPa de manómetro]), gire la perilla del valor superior (4) en el sentido de las manecillas del reloj en incrementos de 1/4 de vuelta, dé golpes leves a la varilla interna en la conexión de la palanca acodada y repita la operación hasta alcanzar el valor máximo deseado. Si la válvula piloto comienza a hacer ruidos de pequeñas explosiones, afine el valor del diferencial (2) 1/16 de vuelta en cualquier dirección hasta que los ruidos cesen. Tras afinarlo, inmobilice la posición girando las contratuercas (1 y 3) en el sentido de las manecillas del reloj hasta que estén fijas. Mantenga la posición (2 y 4) en su sitio mientras gira las contratuercas para asegurarlas.



**DISPOSITIVO TENSOR DE CORREAS SCHMIDT (SOLO PARA UNIDADES A GASOLINA)**

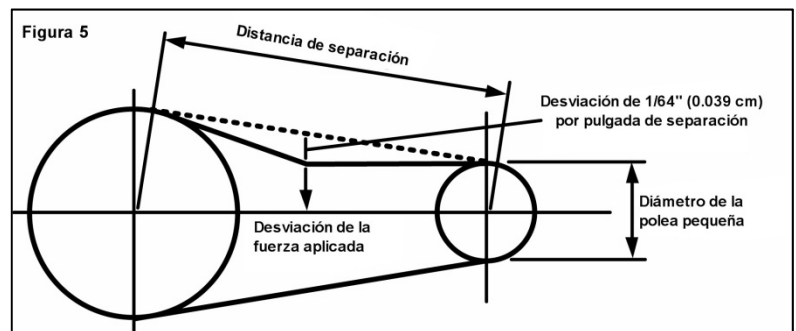
Para aumentar la tensión de la correa, realice lo siguiente:

7. Afloje las contratuercas de los pernos de sujeción del motor sólo hasta que las arandelas debajo de ellas puedan girar libremente.
8. Gire el perno de ajuste 1/2 pulgada (1.27 cm) en el sentido de las manecillas del reloj hasta alcanzar la tensión deseada. (Consulte la figura 4).
9. Vuelva a ajustar las contratuercas para asegurar el motor.



**POLEAS DE TRANSMISIÓN**

Las poleas de transmisión deben estar alineadas correctamente y la tensión de la correa de transmisión debe cumplir con las especificaciones. La incorrecta alineación de las poleas y tensión de la correa puede ocasionar una sobrecarga del motor, vibración excesiva y falla o desgaste prematuro de la correa. (Consulte la figura 5).



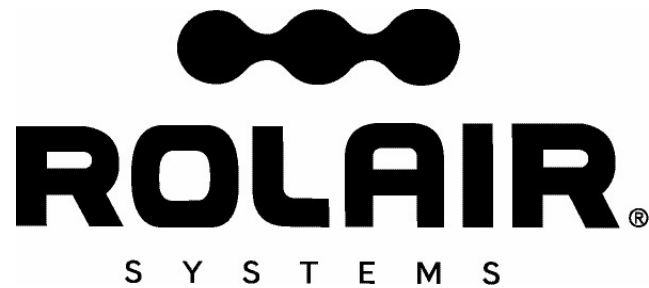
VALORES DE R.P.M. DEL MOTOR A GASOLINA			
Modelo	R.p.m. máximas	R.p.m. en ralentí	R.p.m. de bomba
Serie 4090	2950	1900	1025
Series 1040 y 2040	2775	1900	1175
Serie 6590	3150	1900	1125
Series 8422 y 8230	3000	1900	900

**NOTA:** Las r.p.m. del motor (valores alto y bajo) han sido definidas en la fábrica para lograr la máxima eficiencia. Si ajusta las r.p.m. por encima de las especificaciones de fábrica, la garantía quedará anulada.

## SOLUCIÓN DE PROBLEMAS

**ADVERTENCIA:** Asegúrese de entender completamente todas las advertencias de seguridad y el funcionamiento de cada componente de control del sistema antes de intentar cualquier mantenimiento o reparación. Siempre drene el tanque de presión completamente, asegúrese de que el cable de alimentación esté desconectado y que la unidad tenga tiempo de enfriarse antes de realizar cualquier operación de mantenimiento o servicio.

PROBLEMA	CAUSA	SOLUCIÓN
La bomba tarda en acumular presión en el tanque	Correa floja o que patina	Ajuste la tensión de las correas
	Fugas excesivas en el sistema	Repare las fugas de aire
	Empaquetadura rota	Reemplace las empaquetaduras del cabezal
	Válvula de lengüeta rota	Reemplace las válvulas de lengüeta
	Filtro de admisión obstruido	Limpie o reemplace el elemento de admisión
	Fuga en el regulador	Reemplace el regulador
	Válvula piloto defectuosa	Reemplace la válvula piloto
Consumo excesivo de aceite	Demasiado aceite en el cárter	Drene hasta alcanzar el nivel adecuado
	Viscosidad inadecuada del aceite	Reemplácelo por el aceite adecuado
	Ventilación del cárter obstruida	Reemplace la varilla de medición del nivel de aceite o el tapón de llenado de aceite/ventilación del cárter
	Filtro de admisión sucio o tapado	Limpie o reemplace el filtro de admisión
	Anillos de pistón desgastados	Lleve la unidad a reparación
	Cilindro rayado	Lleve la unidad a reparación
Ruido de golpeteo	Polea o volante flojos	Ajuste las partes correspondientes
	Correas flojas	Ajuste la tensión de las correas
	Problema interno de la bomba	Lleve la unidad a reparación
La compresora se sobrecalienta	Ventilación deficiente	Cambie la ubicación de la compresora
	Sentido de giro incorrecto de la bomba	Contacte a un electricista
	Problema interno de la bomba	Lleve la unidad a reparación
El motor eléctrico no funciona, ni siquiera emite un sonido	Accionamiento de la sobrecarga térmica	Localice y presione el botón de reinicio
	Dispositivo de reinicio roto físicamente	Reemplace el dispositivo de sobrecarga/reinicio
	Conectores del motor o conexión eléctrica flojos	Localice y corrija las conexiones eléctricas flojas
	Corto en el cable de alimentación	Reemplace el cable de alimentación
El motor acciona el botón de sobrecarga/reinicio	El motor arranca o se detiene excesivamente	Instale un kit de doble control o velocidad constante
	El dispositivo de sobrecarga es defectuoso o débil	Reemplace el dispositivo de sobrecarga
	Calibre inadecuado del cable de extensión	Utilice longitudes mayores de la manguera de aire o un cable más grueso
	Pernos de motor barridos o flojos	Vuelva a ajustar los pernos o reemplácelos si están barridos
	Grietas en el buje o la caja	Lleve la unidad a reparación
El motor a gasolina no arranca fácilmente	Bujía fallida, incorrecta o calibrada incorrectamente	Instale una bujía adecuada luego de calibrarla según las especificaciones de fábrica
	Nivel inadecuado de aceite del motor	Llene hasta la parte superior de las roscas para el tapón de aceite
	Viscosidad inadecuada del aceite de motor o bomba	Cambie a la viscosidad adecuada de aceite para la temperatura operativa
	Gasolina inadecuada o vieja	Lleve la unidad a reparación



## Garantía

Associate Engineering Corporation garantiza que todas las compresoras ROLAIR® estarán libres de defectos de material y mano de obra durante un periodo de 12 meses a partir de la fecha de la compra original al minorista, o 18 meses a partir de la fecha de fabricación, lo que ocurra primero.

Cuando se informe cualquier inconformidad del producto con esta garantía dentro del periodo mencionado, la empresa corregirá dicha inconformidad mediante la reparación correspondiente o, a su propia discreción, mediante una parte de reemplazo con cotización F.O.B. en nuestra fábrica, después de que el comprador haya enviado la compresora a nuestra planta con flete prepago.

Associate Engineering Corporation no será responsable de las reparaciones, reemplazos y ajustes de la compresora que no hayan sido autorizados, ni de los costos de mano de obra realizada por el comprador.

**Esta garantía sustituye expresamente todas las demás garantías expresas, implícitas o legales (lo que incluye, entre otras, las garantías de comerciabilidad y de idoneidad para un fin específico) y todas las demás obligaciones y/o responsabilidades por parte de Associate Engineering Corporation. Associate Engineering Corporation tampoco asume, ni autoriza a otras personas para que asuman en su nombre, cualquier otra obligación o responsabilidad relacionada con cualquier compresora.**

Associate Engineering Corporation no será responsable, en ningún caso, de los daños consecuentes, incidentales o especiales ni de la selección incorrecta de cualquier compresora para una aplicación específica.

## Calidad

Associate Engineering Corporation está comprometida con el control de calidad continuo y la investigación exhaustiva de los productos que fabricamos. Nuestro propósito es brindarle a usted, el usuario, toda la experiencia e ingeniería disponible en la producción de cada pieza de equipo que producimos.

Nuestra línea cubre todas las necesidades del variado uso de aire de la actualidad. Confíe en ROLAIR® para obtener las mejores y más recientes funciones que están disponibles en las compresoras modernas.





# ROLAIR®

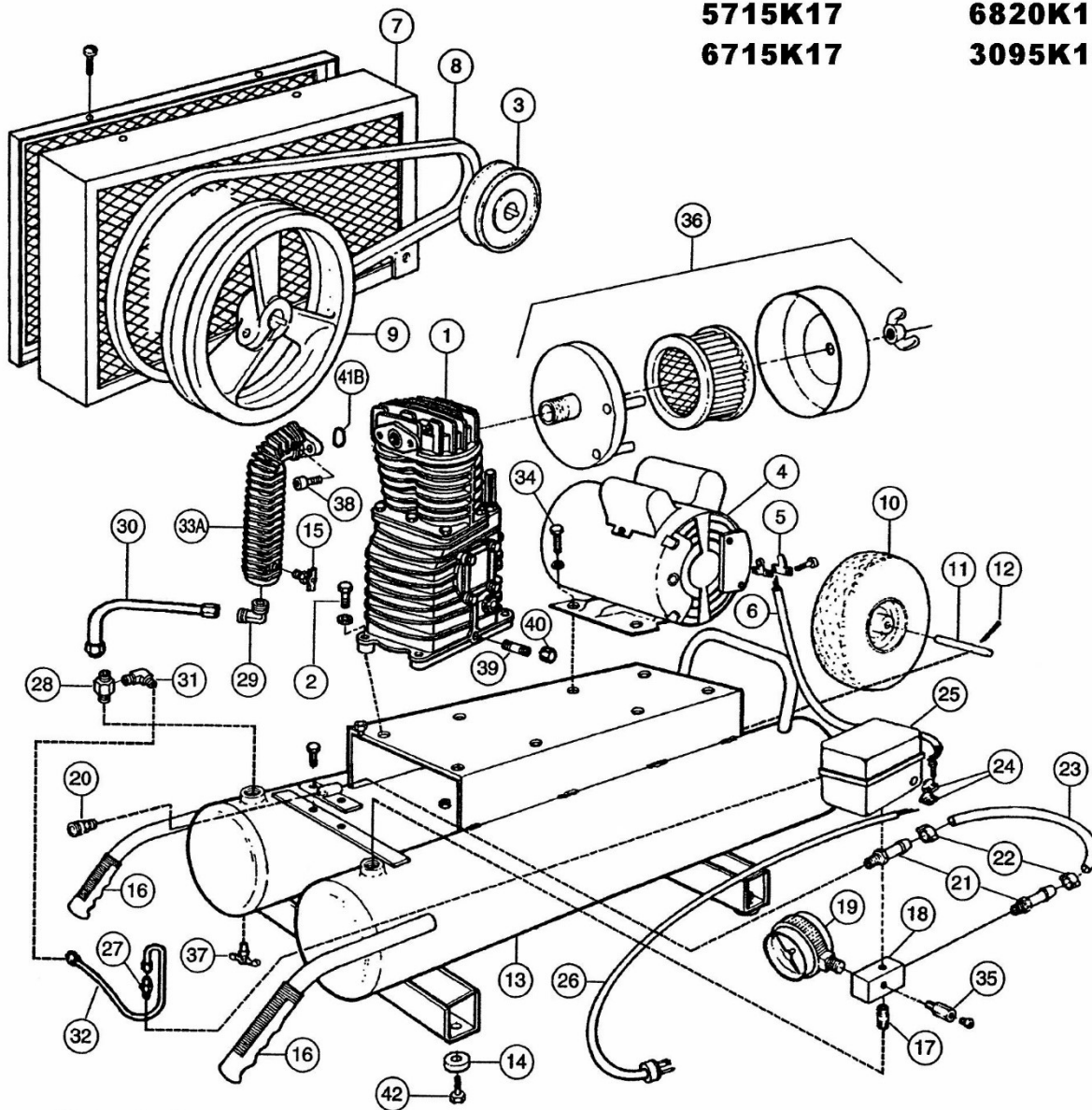
SCHEMATIC FOR MODELS

5715K17

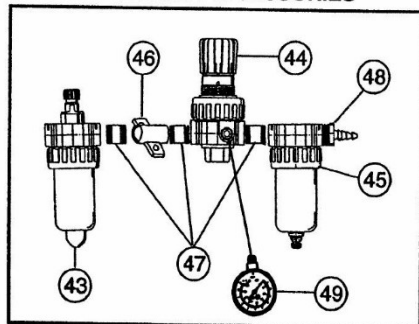
6820K17

6715K17

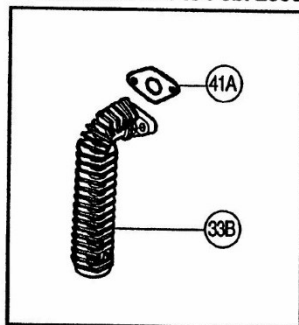
3095K18

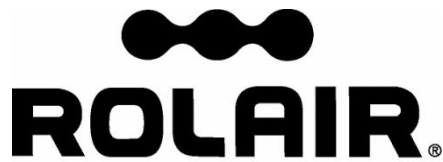


## OPTIONAL ACCESSORIES



Production Prior to Feb. 2000





S Y S T E M S

**PARTS LIST FOR MODELS**

**5715K17 6820K17**

**6715K17 3095K18**

Schem #	Description	Part #	Qty.	Schem #	Description	Part #	Qty.
1	Twin Cylinder Pump With Flywheel	PMP12K17CH	1	26	Cord w/110V Plug - Models 5715K17, 6715K17 & 6820K17	170	1
	Twin Cylinder Pump With Flywheel – Model 3095K18 Only	PMP12K18CH	1		Cord with 220V Plug - Model 3095K18	175	1
2	Bolt	MIS10023	4	27	Pressure Switch Relief Valve	PS2020RV	1
3	Motor Pulley	Specify Model	1		Pressure Switch Relief Valve – Model 3095K18 Only	PS4040RV	1
4	1.5 HP Motor – Models 5715K17 & 6715K17	MTRC101	1	28	Check Valve (Before S/N 15080001)	N.L.A.	
	1.5 HP Motor w/Dual-Voltage Switch	MTRC102	1		Check Valve (After S/N 15080001)	CV4X4T-A175	1
	2 HP Motor – Model 6820K17	MTRD103	1	29	Brass Elbow	BREL0500X050039	1
	3 HP Motor – Model 3095K18	MTRE101	1	30	Discharge Tube	SPECIFY MODEL	1
5	Box Connector	161A	2	31	Brass Elbow	BREL0250X012539	1
6	Cord	173A	1	32*	1/4" Nylon Tubing – 15.6" - Models 5715K17, 6715K17 & 6820K17	178D	1.3'
7	Belt-Guard Base (Before S/N 11070001)	***N.L.A.			Brass Nut	BRNT0250	2
	Belt-Guard Base (After S/N 11070001)	BG566A	1		Brass Sleeve	BRSL0250	2
7	Belt-Guard Cover (Before S/N 11070001)	***N.L.A.			Brass Ring	BRRG0250	2
	Belt-Guard Cover (After S/N 11070001)	BG567	1		1/4" Copper Tubing – 18" - Model 3095K18	CTUBE14	1.5'
8	Belt	Specify Model	1		Brass Nut	BRNT0250	2
9	Flywheel	31007280CH	1		Brass Ring	BRRG0250	2
10	Foam-Filled Flat-Free Tire	WLS50	1		33A	Aftercooler	3290146ACH
11	Axle	181	1	33B	Aftercooler	USE 3290146ACH	1
12	Cotter Pin	181A	2	34	Bolt	MIS10022	6
13	Twin Tank Assembly	Specify Model	1	35	Safety Relief Valve	SRV0250N165	1
14	Rubber Foot	219	4	36	Silencer/Filter Assembly	FS14050	1
15	Drain Valve	132	1		Filter Element – Replacement for Above	431	1
16	Handle Grip	328	2	37	Drain Valve	132BV	2
17	Nipple	BLNP0500X1500	1	38	Bolt	37302530CH	2
18	Aluminum Block Manifold**	154	1	39	Nipple	BLNP0250X1500	1
19	Gauge – Tank	GA0250200GC	1	40	Cap	BLCA0250	1
20	Quick Disconnect (Optional)	309A	1	41A	Gasket	30501490CH	1
21	Brass Coupler	BRCP0375X0375H12	2	41B	O-Ring	30502510CH	1
22	Hose Clamp	177A	2	42	Screw	MIS10008	4
23	3/8" Rubber Hose – 16"	178A	1.34'	<b>(Accessories)</b>			
24	Box Connector	161	1	43	Lubricator	LUB0375	1
25	Pressure Switch	PS2020M	1	44	Regulator	REG0375	1
	Pressure Switch – Model 3095K18 Only	PS4040	1	45	Filter	FIL0375	1
				46	Accessory Bracket	210	1
				47	Nipple	BLNP0375X1500	3
				48	Brass Coupler	BRCP0375X0375H12	1
				49	Gauge - Line	GA0250200GC	1

\*Note: Nylon & Copper Tubing are sold by the foot; may be ordered in bulk lengths.

\*\*Order part #154D if unit is built with dual controls.


\*\*\*Units built prior to July 2011, order complete belt guard; part numbers BG566A and BG567.

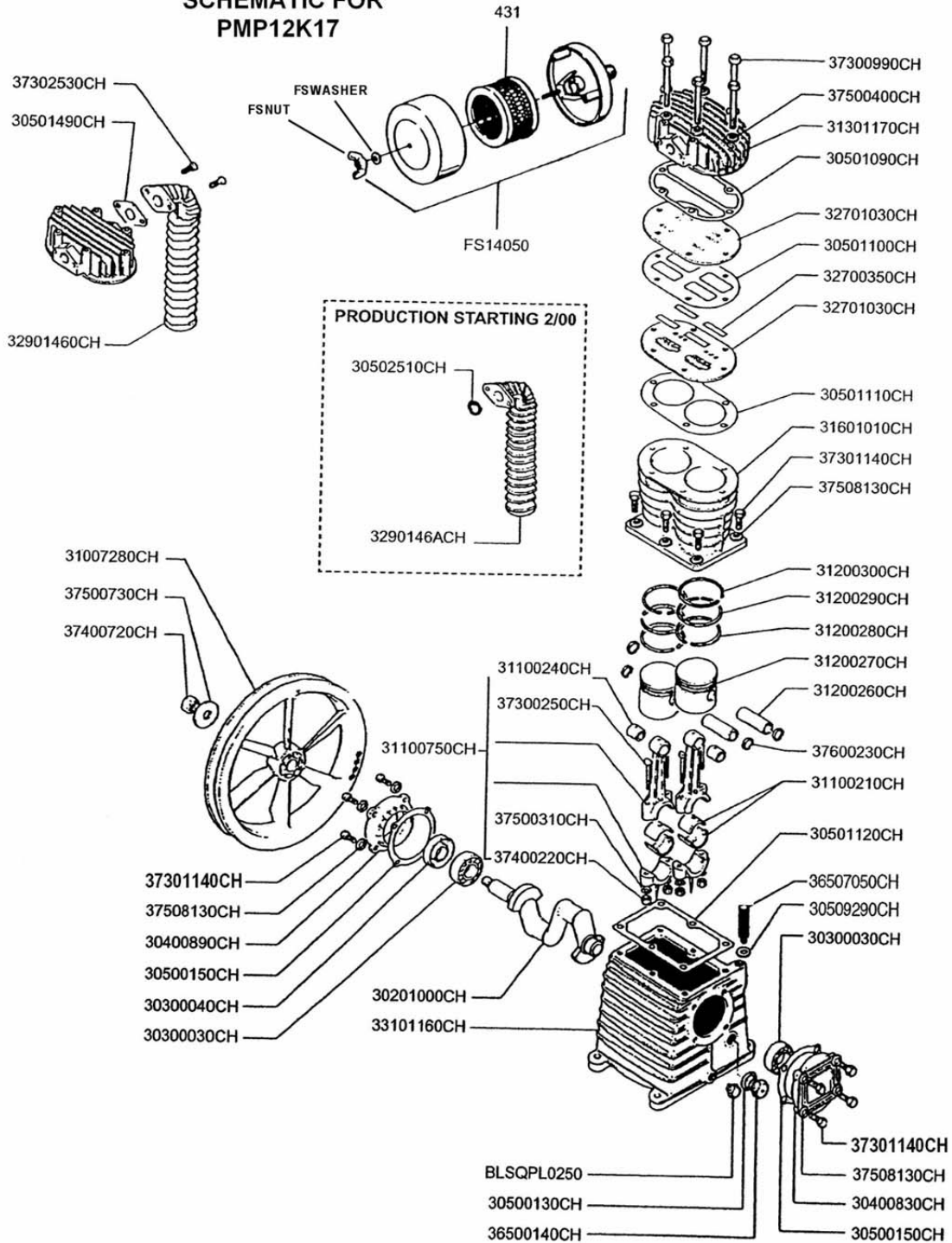
**As an additional safety measure, twin-tank electric models built after August 1, 2015 include additional safety valve on check valve.**



606 South Lake Street > P.O. Box 346 > Hustisford, WI 53034-0346 > 920.349.3281 > fax 920.349.3691 > www.rolair.com



  
**ROLAIR**<sup>®</sup>  
 SCHEMATIC FOR  
 PMP12K17





## PARTS LIST FOR PMP12K17

Description	Part #	Qty.
Crankshaft	30201000CH	1
Bearing	30300030CH	2
Oil Seal	30300040CH	1
Bearing Carrier	30400830CH	1
Bearing Carrier	30400890CH	1
Gasket	30500130CH	1
Gasket	30500150CH	2
Gasket	30501090CH	1
Gasket	30501100CH	1
Gasket	30501110CH	1
Gasket	30501120CH	1
Gasket	30501490CH	1
O-Ring	30509290CH	1
Flywheel	31007280CH	1
Bearing Shell	31100210CH	2
Bushing*	31100240CH	2
Connecting Rod with Upper Bushing	31100750CH	2
Connecting Rod Assembly	31100750CH1	2
Piston Pin	31200260CH	2
Piston	31200270CH	2
Ring	31200280CH	2
Ring	31200290CH	2
Ring	31200300CH	2
Head	31301170CH	1
Cylinder	31601010CH	1
Valve	32700350CH	4
Valve Plate	32701030CH	2
Aftercooler	32901460CH	1
Crankcase	33101160CH	1
Sight Gauge	36500140CH	1
3/8" Breather/Oil Fill Plug	36507050CH	1
Bolt	37300250CH	4
Bolt	37300990CH	6
Bolt	37301140CH	14
Bolt	37302530CH	2
Nut	37400220CH	4
Nut	37400720CH	1
Washer	37500310CH	4
Washer	37500400CH	6
Washer	37500730CH	1
Washer	37508130CH	14
Snap Ring	37600230CH	4
Filter Element	431	1
Plug	BLSQPL0250	1
Silencer/Filter Assembly	FS14050	1
Nut	FSNUT	1
Washer	FSWASHER	1
Ring Set	K17RINGS	1
Gasket Set	K17GASKETS	1
Valve Plate Assembly (Valve plates, reeds & upper three gaskets)	1700VK17	1
Piston Assembly (Piston, rings, piston pin & snap rings)	1700PK17	2
<b>AFTERCOOLER PARTS STARTING 2/00</b>		
O-Ring – Aftercooler	30502510CH	1
Aftercooler	3290146ACH	1

\*BUSHING IS NOT MACHINED TO FIT PISTON PIN IF ORDERED SEPARATE FROM CONNECTING ROD.

