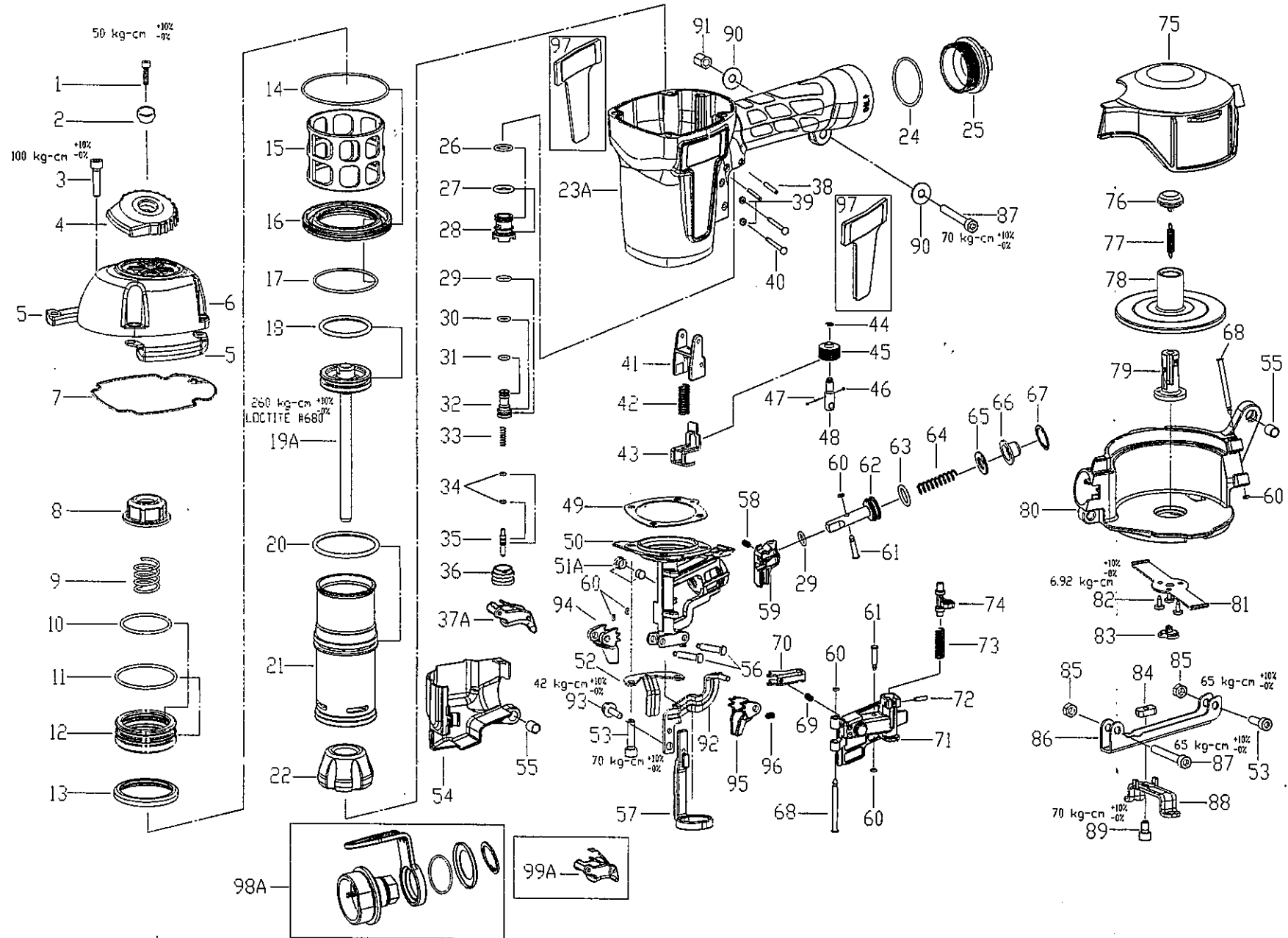


# EXPLODED VIEW



Schematic applies to tools where the first 4 Serial Numbers are 1102 or lower