

1 - TECHNICAL SPECIFICATIONS

A. GAS NAILER

Model No.	GT60LI
Dimensions	
Length	17.13" (435 mm)
Height	14.96" (380 mm)
Width	4.72" (120 mm)
Weight	8.8 lbs (3.99 kg)
Magazine Capacity	40
Recommended Usage	800/Hr 4,000/Day

Noise

$L_{pA,1s}$	= 97 ± 2dB (A)
$L_{pC,peak}$	= 130 ± 2dB (C)
$L_{pA,1s}$	= 91 ± 2dB (A)
$L_{WA,1s}$	= 104 ± 2dB (A)

Vibration

The vibration/mechanical impact risk is low, it is the users' responsibility to ensure that the operators are not put at risk due to environmental and work piece specifications.

B. FUEL CELL

Model No.	GTFUEL
Dimensions	
Height	152 mm
Capacity	1,000 shots

Fuel cell contains pre-mixed fuel and lubrication. No extra lubrication required.

Warning! Only specified Fuel Cell and Lubricant by Aerosmith Fastening Systems can be used on the tools, please consult the Aerosmith Fastening Systems agents or local distributors.

C. FASTENER

Dimensions	
Head Ø	.250" (6.3 mm)
Length	1/2" - 1-3/4" (13-45 mm)
Shank Ø	.102"-.145" (2.6-3.7 mm)
Applications	

Steel to Steel	.120" step
Steel Plate to Concrete	.102-.145
Steel Plate to Hard Concrete	.120" step

Only those fasteners which are specified in this specification shall be used in Aerosmith Fastening Systems Gas Tools. The Aerosmith Fastening Systems Gas Tool and the fasteners specified are to be considered as one unit safety system.

The charger and the battery are designed to operate together as one system.

D. CHARGER

Model No.	GTCHR2
Input	100 - 240V~ 50/60Hz 25W Max.
Output	7.2V == 2.0A
Charging Time	1 Hour
Battery Type	Aerosmith GTBAT2

E. BATTERY

Model No.	GTBAT2
Type	Li-ion
Output	7.2V ==
Capacity	2.0Ah/14.4Wh, 2 cells

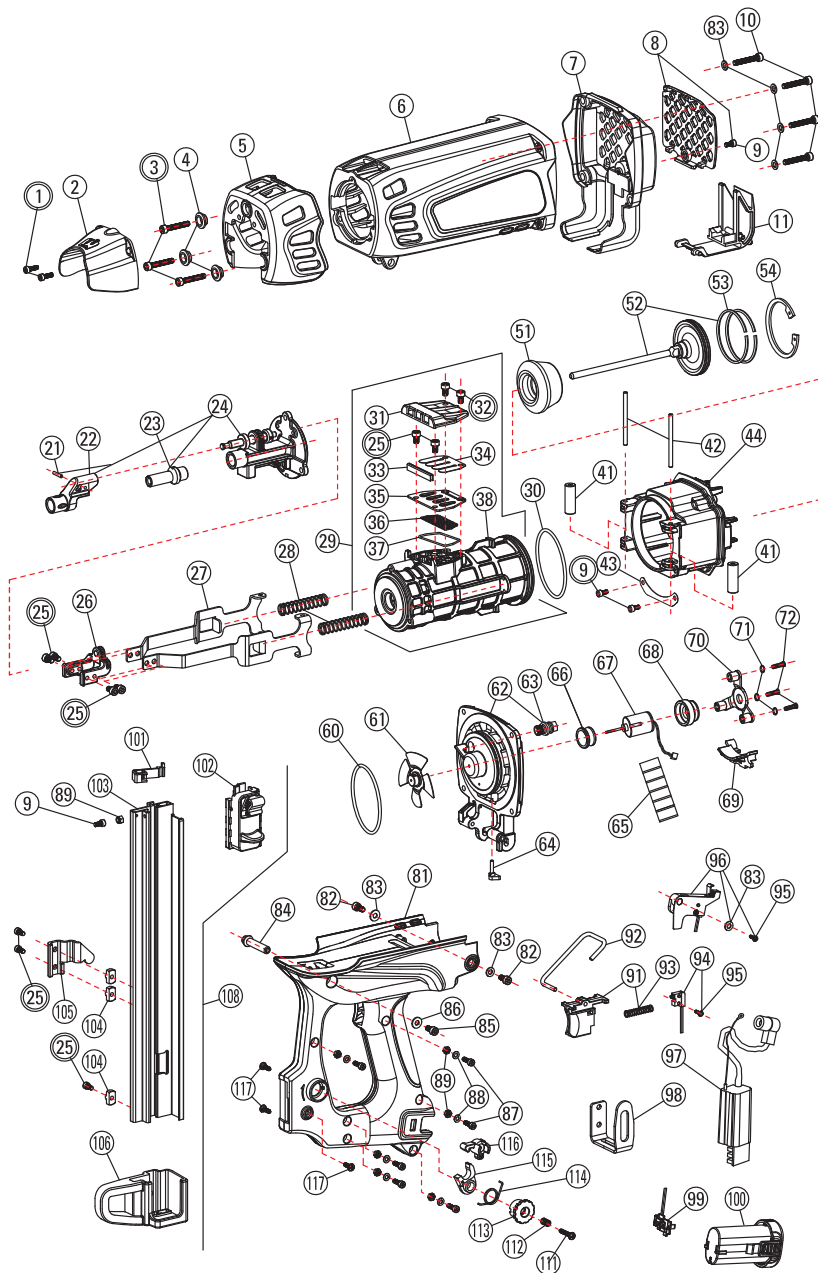
2 - TOOL SERIAL NUMBER

Located on the tool handle near the track connection.

02 YY MM 29 XXXX

YY	- Year of construction (last two digits)
MM	- Month of construction
XXXX	- Tool serial number

3 - PARTS LIST



AEROSMITH GT60LI PARTS LIST

POS.	Part #	Decription	POS.	Part #	Decription
1	NB137	SOCKET SCREW	65	NB1670	MOTOR SLEEVE
2	170060	CAP	66	170420	MOTOR BUMPER
3	NB104	SOCKET SCREW	67	170430	MOTOR
4	NB1050	BUSHING	68	170440	MOTOR GUIDE
5	170090	SHEILD	69	170490	CONNECTOR HOLDER
6	178010	HOUSING	70	170450	MOTOR HOLDER
7	178020	HEAD COVER	71	NB1720	SPRING WASHER
8	178160	FILTER	72	NB1730	ROUND HEAD SCREW
9	NB116	SOCKET SCREW	81	178090	HANDLE HOUSING
10	172860	SOCKET SCREW	82	172560	SOCKET SCREW
11	170620	FUEL DOOR	83	NB1290	WASHER
21	172020	SPRING PIN	84	178100	BUSER
22	178030	PROBE	85	NB110A	SOCKET SCREW
23	170100	PIN GUIDE	86	NB1110	WASHER
24	178040	NOSEPIECE	87	172800	SOCKET SCREW
24.1	170110	NOSEPIECE BODY	88	NB1380	WASHER
24.2	170030	ADJUSTMENT ROD	89	NB1170	LOCKNUT
24.3	170040	ADJUSTMENT RING	91	178110	TRIGGER
24.4	172112	BALL BEARING	92	170780	CHAMBER STOP
24.5	172113	SPRING	93	170760	TRIGGER SPRING
25	NB440	SOCKET SCREW	94	178120	TRIGGER SWITCH
26	170150	ARM CONNECTOR	95	NB1270	SELF TAP SCREW
27	170160	ARM	96	178130	MOTOR SWITCH
28	170260	SPRING	97	170720	CONTROL UNIT
29	178050	CYLINDER	98	170830	HOOK
30	170240	CYLINDER RING	99	170710	BATTERY HOLDER
31	170230	VALVE COVER	100	GTBAT	LITHIUM ION BATTERY
32	172141	SOCKET SCREW	101	170970	TRACK GUIDE
33	170180	FILTER	102	178140	FOLLOWER
34	170220	REED	103	170980	TRACK
35	170210	VALVE PLATE	104	170990	TRACK NUT
36	170200	PERFRORATED PLATE	105	171000	CONNECTING PLATE
37	170190	SEALING RING	106	171010	END CAP
38	170170	CYLINDER BODY	108	178150	TRACK ASSEMBLY
41	170310	RUBBER SLEEVE	111	172700	SELF TAP SCREW
42	170320	STEEL PIN	112	170690	SPRING
43	170340	CHAMBER PLATE	113	170680	KNOB
44	178060	CHAMBER	114	170670	SPRING
51	170250	BUMPER	115	170660	TRACK LOCK
52	178070	PISTON	116	170650	TRACK LATCH
53	170280	PISTON RING	117	NB1142	SELF TAP SCREW
54	170290	RETAINING RING			
60	170380	HEAD RING			
61	NB1620	BLADE ASSEMBLY			
62	178080	CYLINDER HEAD			
63	NB1650	SPARK PLUG			
64	170480	FUEL NOZZLE			