

**FT-50-RD Centrifugal Feeder**  
Designed for Quiet, High Speed Feeding



**Product Overview:**

Shibuya Hoppmann's standard FT-50 rigid disc centrifugal feeder is designed to feed a variety of products with its unique bowl design. Product is metered into the bowl and brought out to the bowl rim where a series of qualifiers gently orient the part for transfer to various downstream inline devices.

**Product Specifications:**

	<u>ANSI</u>	<u>Metric</u>
A. Outside Diameter	71"	1804mm
B. Frame Height	47" ± 1.5"	1194mm ± 40mm
C. Discharge Height	36" ± 2"	914mm ± 51mm
D. Bowl Outside Diameter	56"	1422mm
E. Bowl Inside Diameter	47.10"	1196mm
F. Rim Width	4.13"	105mm
G. Bowl Depth	7.10"	180mm
H. Level Foot Adjustment	3.00" ± 1"	76mm ± 25mm

**Standard Models:**

Part Number	<u>FT501RLDSA</u>	<u>FT501RLASA</u>
Motor Style	DC	AC
Horsepower	3/4 hp	3/4 hp
Motor Voltage	90V	208-230/460V

**Standard Features:**

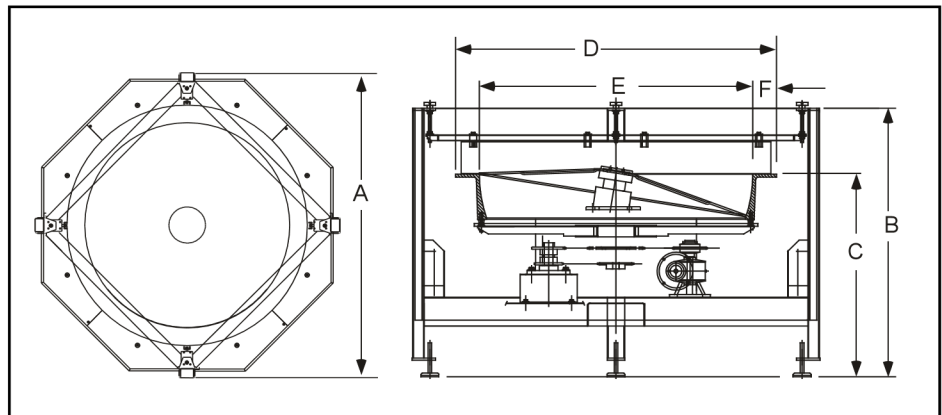
- All stainless steel construction
- FDA approved ABS vacuum formed disc
- Teflon hard-coated finished aluminium bowl

**Required Accessories:**

	<u>CW</u>	<u>CCW</u>
Backup Ring .....	BUCWFT50SU .....	BUCCT50SU

**Available Options:**

- Polycarbonate covers
- Dual motor drive system
- Washdown motor(s)
- NEMA 1 encased controller



*Shibuya Hoppmann Corporation strives to improve its products and reserves the right to change or discontinue specifications & designs shown in this brochure without notice and without incurring obligation. 01/07*

