

FT-30-RD Centrifugal Feeder

Designed for Quiet, High Speed Feeding



Product Overview:

Shibuya Hoppmann's standard FT-30 rigid disc centrifugal feeder is designed to feed a variety of products with its unique bowl design. Product is metered into the bowl and brought out to the bowl rim where a series of qualifiers gently orient the part for transfer to various downstream inline devices.

Product Specifications:

	<u>ANSI</u>	<u>Metric</u>
A. Outside Diameter	40.21"	1021mm
B. Frame Height	22.79"	579mm
C. Discharge Height	17.51"	445mm
D. Bowl Outside Diameter	36.13"	918mm
E. Bowl Inside Diameter	28.79"	731mm
F. Rim Width	3.67"	93mm
G. Bowl Depth	3.90"	99mm
H. Level Foot Adjustment	≈1"	≈25mm

Standard Models:

	<u>FT301RLDSA</u>	<u>FT301RLASA</u>
Part Number		
Motor Style	DC	AC
Horsepower	1/3 hp	1/3 hp
Motor Voltage	90V	230/460V

Required Accessories:

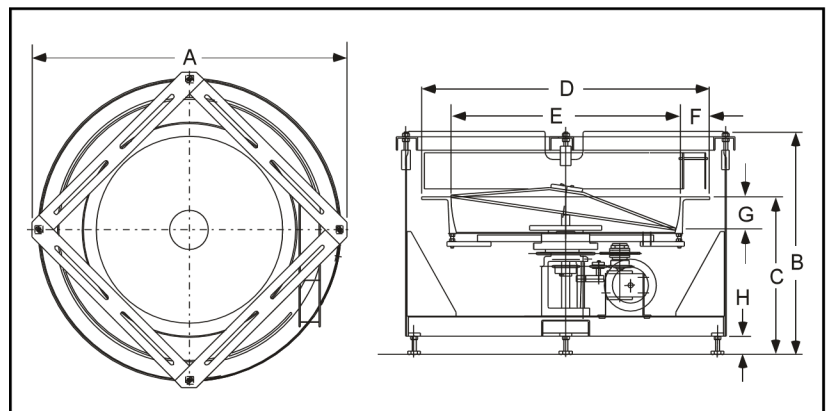
	<u>CW</u>	<u>CCW</u>
Square Frame		
Backup Ring	BUCWFT30SU	BUCCF30SU

Standard Features:

- All stainless steel construction
- Square tooling frame
- FDA approved ABS vacuum formed disc
- Teflon hard-coated finished aluminium bowl

Available Options:

- Polycarbonate covers
- Dual motor drive system
- Washdown motor(s)
- NEMA 1 encased controller



Shibuya Hoppmann Corporation strives to improve its products and reserves the right to change or discontinue specifications & designs shown in this brochure without notice and without incurring obligation. 01/07