

## FT-60-RD Centrifugal Feeder

Designed for Quiet, High Speed Feeding



### Product Overview:

Shibuya Hoppmann's standard FT-60 rigid disc centrifugal feeder is designed to feed a variety of products with its unique bowl design. Product is metered into the bowl and brought out to the bowl rim where a series of qualifiers gently orient the part for transfer to various downstream inline devices.

### Product Specifications:

	<u>ANSI</u>	<u>Metric</u>
A. Outside Diameter	85"	2159mm
B. Frame Height	47" ± 1.5"	1194mm ± 40mm
C. Discharge Height	36" ± 2"	914mm ± 51mm
D. Bowl Outside Diameter	70"	1778mm
E. Bowl Inside Diameter	60"	1524mm
F. Rim Width	5"	127mm
G. Bowl Depth	9.13"	232mm

### Standard Models:

Part Number	<u>FT601RLDSA</u>	<u>FT601RLASA</u>
Motor Style	DC	AC
Horsepower	3/4 hp	3/4 hp
Motor Voltage	90V	208-230/460V

### Required Accessories:

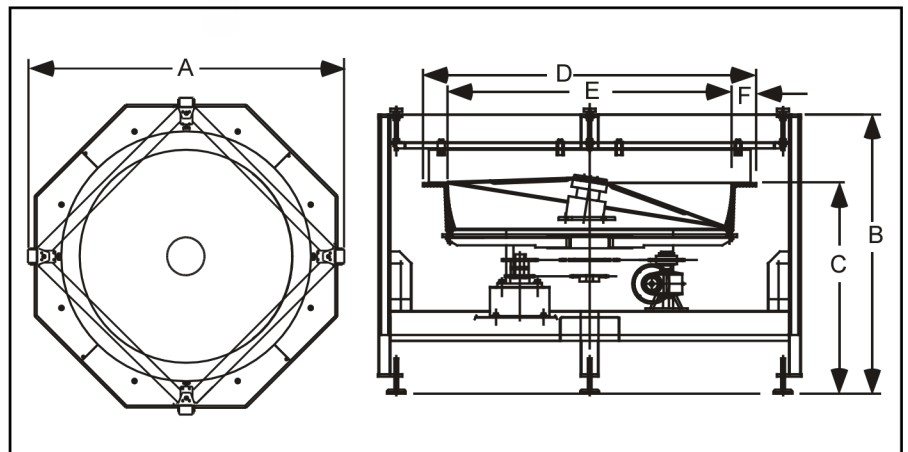
	<u>CW</u>	<u>CCW</u>
Backup Ring .....	BUCWFT60SU .....	BUCCF60SU

### Standard Features:

- All stainless steel construction
- FDA approved ABS vacuum formed disc
- Teflon hard-coated finished aluminium bowl

### Available Options:

- Polycarbonate covers
- Dual motor drive system
- Washdown motor(s)
- NEMA 1 encased controller



Shibuya Hoppmann Corporation strives to improve its products and reserves the right to change or discontinue specifications & designs shown in this brochure without notice and without incurring obligation. 01/07