



## MK-U2000

Universal inkjet printer

CE

! This model has been discontinued.  
Compliance with the certification standard is ensured as of the time of shipment from our company.

Contact Us: 1-888-539-3623

## Specifications

Model	MK-U2000
Type	Normal ink type
Touch panel console	MK-P4
PC software	MK-HB2 (MK-BUILDER2)*1
Character height	1 to 12 mm 0.04" to 0.47"
Ink model	Standard ink MK-10
Ink color	Black
Maximum number of printable lines	6
Dot configuration (vertical)	5, 7, 9, 10, 12, 14, 16, 24, 32 dots
Font	Original, Mincho, Gothic
Character type	Alphabetic characters, numbers, katakana, hiragana, symbols, kanji (JIS levels 1 and 2), Chinese (GB2312), Latin characters, logotypes, custom characters (fonts created by users)
Barcodes	CODE39, ITF, NW7 (Codabar), 2of5, CODE128, JAN/UPC, check digit addition function (except for 2of5)
2D code	QR code models 1 and 2, micro QR, DataMatrix (ECC200), GS1 DataMatrix
Head distance	15 mm 0.59" (24 dots or less), 20 mm 0.79" (25 dots or more), 35 mm 1.38"
Head direction	All directions
Positioning guide	Guide printing, guide beam emission
Max. printing speed	2525 characters/s*2
Print data registration	500 settings
Memory card	USB memory device*3
Functions	Automatic calendar, expiration date, hold printing for desired time, automatic counter, 2- to 36-number system counter, automatic operation, character direction setting (90, 180, 270 degrees), double-width character, logo creation, font creation, character height and width adjustment, sensor pass filter, workpiece-stop alarm, constant number setting at input, barcode comparison setting switch, automatic setting switch at print completion (group printing), terminal block monitor, communication buffer, error level change
Maintenance function	Automatic nozzle cleaning, ink draining, internal cleaning, jet operation (nozzle and gutter suction, intermittent spraying), error display, error history, maintenance history, internal path monitor, maintenance guidance, error clearing guidance, auto-shower, sleep mode, path recovery
Input (NPN/PNP)	Printing start, encoder (A, B), setting number selection, setting number switching, printing start disabling, printing stop, printing direction switching, counter/group reset, counter increase (startup), counter decrease (shut down), error clearing

Output (NPN/PNP)		Error, caution, printing ready, setting switch ready, busy (printing), printing complete, counter complete (image capture trigger), service power supply (24 V)
Console display language		English, Japanese, Chinese, Portuguese, Spanish, Thai
Interface		RS-232C, Ethernet (100Base-TX/10Base-T)
Print head cable length		4 m 13.1'
Console cable length		
Rating	Power voltage	100 to 240 VAC ±10 %, 50/60 Hz
	Power consumption	190 VA
Environmental resistance	Enclosure rating	IP55 <sup>*4</sup>
	Ambient temperature	0 to +45 °C 32 to 113 °F
	Storage temperature	-10 to +60 °C 14 to 140 °F (No condensation)
	Relative humidity	0 to 90 % RH
Housing		Stainless steel
Dimensions		465 × 388 × 499 mm 18.31" × 15.28" × 19.65" (W × D × H)
Weight	Controller	30.2 kg
	Console	1.9 kg

\*1 Supported OS: Windows Vista/7/8 (Windows is a registered trademark of Microsoft Corporation.)

\*2 5-dot character, 1-line printing with 1-dot character spacing

\*3 Usable size: 65 × 25 × 18 mm 2.56" × 0.98" × 0.71" (W × D × H) max.

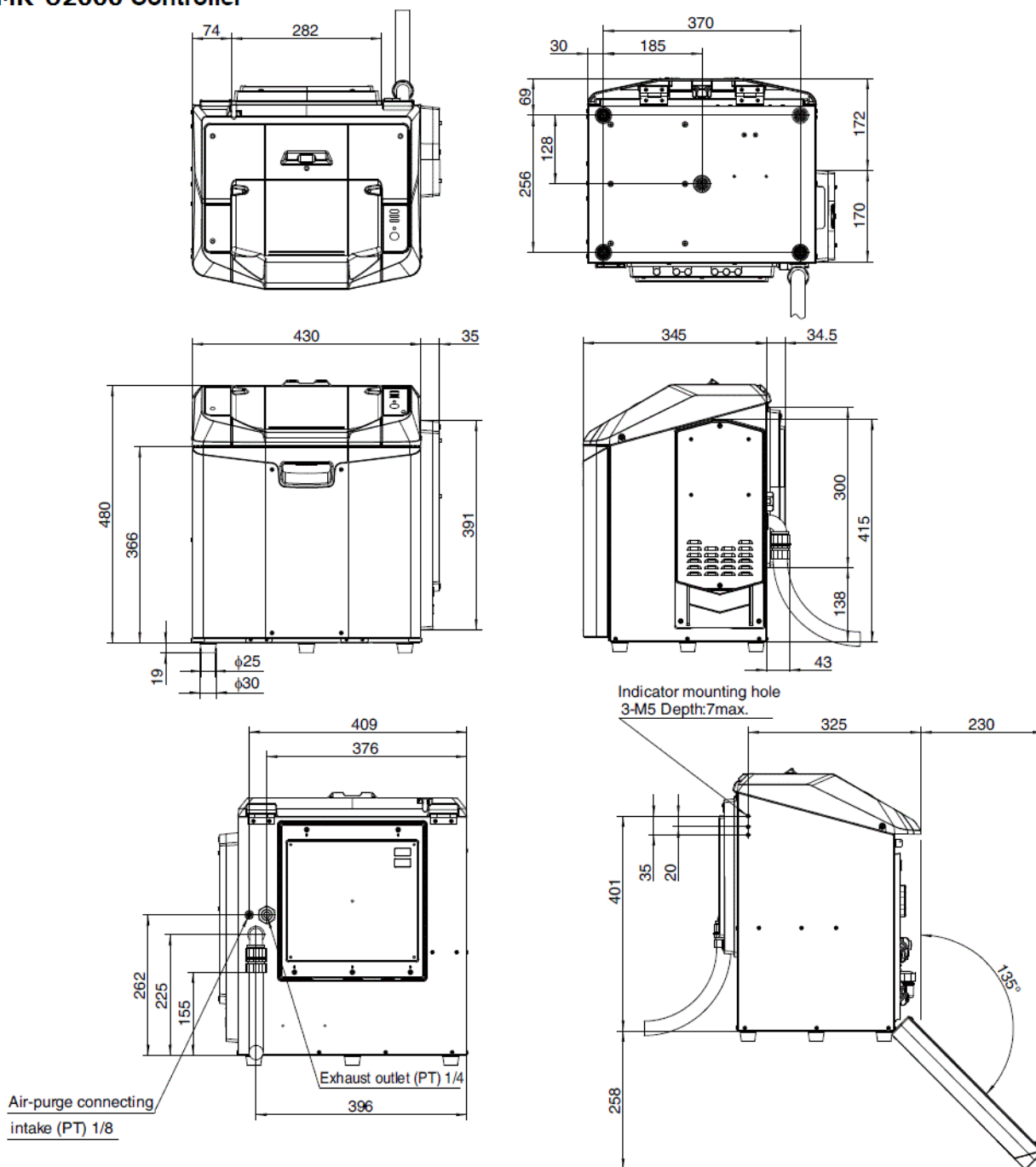
\*4 The print head does not support this ingress protection rating. For details on its installation, see the instruction manual.

# Dimensions

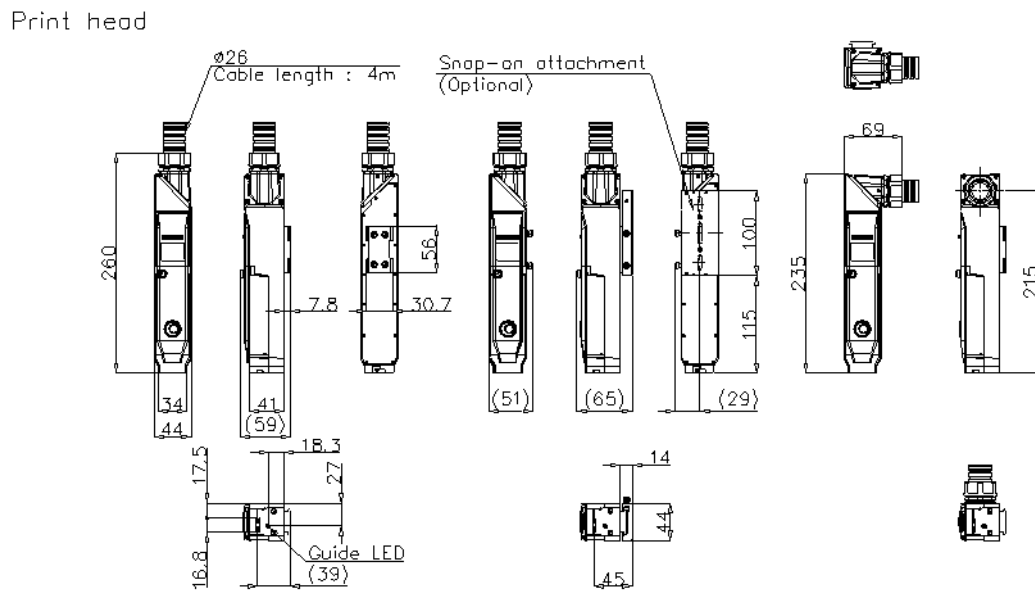
\* Download CAD file or product manual for larger image/text and more detail.

mk-u2000\_dimension\_01.gif

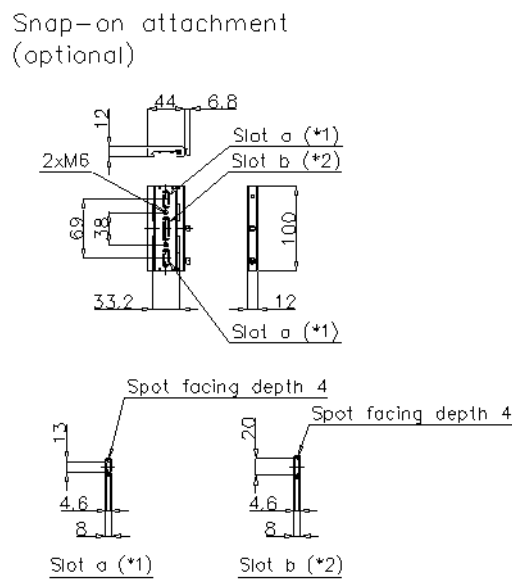
## MK-U2000 Controller



mk-u2000\_dimension\_02.gif



mk-u2000\_dimension\_03.gif



mk-u2000\_dimension\_04.gif

Console

