

The Proven Standard®...Since 1941.

KAPS-ALL PACKAGING SYSTEMS^{INC.}

KAPS-ALL CAPPER®

FILLS-ALL®

FEED SYSTEMS®

ORIENTAINER®



A TECHNICAL GUIDE TO

Capping Machines

And Complete Bottling and Packaging Systems

KAPS-ALL PACKAGING SYSTEMS, INC.
200 Mill Road, Riverhead, NY 11901 USA
Tel (631) 727-0300 | Email sales@kapsall.com

www.kapsall.com



Table of Contents

● Capping Machine Features	2	● Overcapper/Lidder	7	● Electronic Torque Meters and Monitors	10 - 11
● The Kaps-All® Advantage	2	● Combination Capper/Overcapper	8	● Easy-Kap® Hand-Held Cappers	12
● Anatomy of a Typical Capper	3	● Bottle Carrier/Transporter	8	● Exclusive Patented Capper Features	13-14
● Portable 4, 6 and 8 Spindle Cappers	4	● Ball Placer/Insertor	8	● Dimensions and Specifications	15
● Belt Capper	5	● CONVEYS-ALL® Conveying Systems	9	● Visit / Contact Us	16
● Portable Cap Tightener and Retorquer (4, 6 and 8 Spindle)	6				

OUTSTANDING FEATURES OFFERED ONLY BY KAPS-ALL PACKAGING SYSTEMS:

- No changeover parts are necessary for standard caps and containers. Knob adjustments regulate the fast changeover of virtually any size and shape cap including: tamper evident caps, child safety caps, overcaps and dispenser caps.
- Standard stainless steel components include: upper and lower cap chutes, cap supply hopper, guarding throughout, rotary feeder, conveyor frame, shafting, screws, gripper housings, etc.
- Handles vials to 2-1/2 gallon containers, made of plastic, glass or metal without changeover parts for standard containers.
- No bottle - no cap safety release.
- All cappers come standard with the exclusive Feed Systems® patented stainless steel rotary cap feeder offering quiet and gentle cap orientation with no changeover parts for all standard caps.
- All models are available with two sets of bottle gripper belts for tall or unstable containers providing complete bottle control, consistent torque and eliminating product spillage and cross-threading.
- Fully adjustable bottle gripper assemblies are available to accommodate various bottle contours including tapered containers and containers with offset necks.
- All models can be fitted with several types of cap feeders and elevators such as the standard Feed Systems® rotary cap feeder or a vibratory cap feeder to accommodate your production requirements.
- Floor level Bulk Cap Elevators and Mini-"L" cap elevators are available for all models to accommodate higher speed requirements and restricted ceiling heights.
- The exclusive "Dial-A-Torque"® patented clutch system is standard equipment on all models. This heavy-duty clutch system provides a consistent torque for 8mm to 120mm diameter caps of all types and is completely adjustable. (Available as a patented remotely controlled pneumatic system).
- Exclusive Kaps-All Electronic Torque Monitoring System is available for all models, providing a high level of quality assurance. Computer interface (RS-232 and/or USB) is standard for auxiliary functions and data printouts.
- All models are capable of being used as cap tighteners for all types of spray pumps, short runs, specialty caps, and re-torquing after heat induction foil sealing.
- All front and rear changeover adjustments move together on center with calibrated knob settings. No need to adjust machine from behind. Positive centering of your caps and containers eliminate cross threaded caps, misalignments and undue wear of cap tightening discs.
- Minimum amount of moving parts are used to reduce maintenance, prevent expensive downtime, avoid loss of production and eliminate the need for skilled mechanics. Parts are kept in stock for immediate delivery.
- NEMA 12 wiring is standard. Hazardous location wiring and other electrical requirements are available on all models.
- All cappers are guaranteed for a full 2 years—the longest in the industry.
- All capper models are continuously in production prior to your order enabling us to provide fast delivery.
- Portable bases available for all models.
- Left to right conveyor travel is standard—right to left models are available.
- Let Kaps-All Packaging Systems, Inc., become your single source for all your bottle orienting, unscrambling, cleaning, filling, capping, induction sealing, conveying, parts feeding, torque testing/torque monitoring, inspecting, labeling and accumulating needs.
- Other available equipment includes modular conveyor systems, de-capping, gas purging, bench model torque meters, liquid fillers, parts orienting and custom packaging machinery.
- Actual orienting, filling, capping and complete bottling demonstrations are given in our plant using your caps, containers and products.

KAPS-ALL® ADVANTAGES

VERSATILITY—One machine can handle vials to gallons for both screw caps and overcaps of all types. Ideal for the entire spectrum of capping applications. **CAP-ABILITY**®—Virtually any cap and container can be run on Kaps-All equipment. **PRODUCTIVITY**—Machines are built to run multiple shifts with no down time. **ADAPT-ABILITY**—Kaps-All machines are engineered to conform to marketing trends by enabling upgrading or adjusting of production lines without buying additional machinery or expensive change parts. **RELIABILITY**—Production tested, state-of-the-art components ensure maximum packaging performance. Thousands of Kaps-All cappers are in service everyday, even the very first units. **REPEAT-ABILITY**—With calibrated settings, operators can quickly and accurately change products with minimum downtime. **COST**—Competitively priced, high quality, fully equipped capping machines with prompt delivery times. unmatched in the industry. **EXPERIENCE**—Kaps-All has been designing, engineering and building its capping machines for close to 78 years—longer than any other company. This assures that your package will be capped and torqued consistently every time without damage. That's why Kaps-All is called "The Proven Standard"® in the capping industry. **DURABILITY**—All components and drives are overbuilt, selected and engineered to last for decades (our original machines are still in use today and are running as well as when they were new). Kaps-All cappers are the work horse of the industry. **SERVICE-ABILITY**—With our network of sales representatives and technicians throughout the world, Kaps-All offers the highest quality of after sales support. This is backed by factory service and a large inventory of in-stock parts. **PATENTS**—More than 45 patented features such as "Dial-A-Torque"® clutches, quality control torque monitoring, adjustable settings, etc. are exclusive to Kaps-All products and are not available elsewhere. **CUSTOMER SUPPORT**—Our highly-trained technicians with over a hundred years of combined experience offer complete customer support eliminating downtime. Our exclusive 2 year guarantee will keep your equipment running under any application.

Anatomy of a Typical KAPS-ALL® CAPPER requiring little to no changeover parts

01 Patented design Feed Systems® Rotary Cap Feeder eliminates change parts for all standard caps, including child resistant and tamper evident (standard)

02 Patented design Feed Systems® rotary cap Feeders are constructed of stainless steel (standard).

03 Electronic eye maintains constant supply of caps on demand in capper chute (standard)

04 All adjustments are repeatable with calibrated scales and dials settings for easy changeovers (standard)

05 Little to no changeover parts needed for a wide range of cap sizes, container shapes and sizes (standard)

06 Gas purging prior to capping available for sensitive products (optional)

07 Exclusive non-marring (FDA approved) oil resistant carrier belts are standard (patented). Accommodates vials to 2.5 gallons of all shapes

08 Patented adjustable capping spindles can accommodate caps from 8 to 120 mm. I.D.

09 All models come complete with stainless steel leveling screws and floor pads (standard)

10 Stainless steel frame conveyor with electronic variable speed drive and 4-1/2" wide Delrin chain (optional)

11 Exclusive patented design, with heavy duty adjustable torque clutches, give consistent torque without marring caps

12 Level sensor to maintain level of caps in feeder (standard)

17 Fully adjustable conveyor guide rail system with patented up-down and in-out adjustments (standard with conveyor)

18 Stainless steel bottle gripper belt housings (standard)

19 No universal joints or costly mechanical wear parts (standard)

20 Available to conform to the European "CE" directives

21 Electronic torque monitor with digital readout and computer interface provided for alarms, low torque rejection system and down stream line integration (optional)

22 Two year guarantee on all parts (less wear parts). The longest in the industry (standard)

23 Cap level viewing window in cap bin hopper (standard)

MODEL A-6 shown with optional accessories



24 Automatic motorized head height adjustment accommodates vials to gallons for quick changeovers (optional)

25 Remotely controlled pneumatic adjustable clutches with dial setting. Simultaneously adjusts clutches while machine is operating (optional-patented)

26 Kaps-All (the originator of the portable "C" frame), offers mobile bases with heavy duty swivel casters (standard for Models BC, BP, E-4, A-6, C-8, FE-4, FA-6 and FC-8)

27 Independently adjustable bottle gripper belts for tapered containers and special applications. (optional-patented)

28 Stainless steel guarding for upper spindle drive section (standard)

29 Unique design of bottle grippers allow adjustments both up-down and in-out (standard)

30 All electronically controlled variable speed drives (standard)

(Not shown) **04 05 06 19 20 21 23 24**

13 Patented stainless steel upper and lower cap chutes accommodate cap sizes and styles from 8mm to 120mm diameter (13mm to 70mm standard)

14 One or two pairs of bottle gripper belts available on all models for complete torque control and no bottle spillage (one pair standard)

15 Stainless steel guard enclosure with Lexan doors on front and back enclosing spindle and gripper section down to conveyor. Includes safety interlocks (standard)

16 Simple patented knob adjustments to change to different size caps and containers (standard)



**AWARD-WINNING
PATENTED DESIGNS**

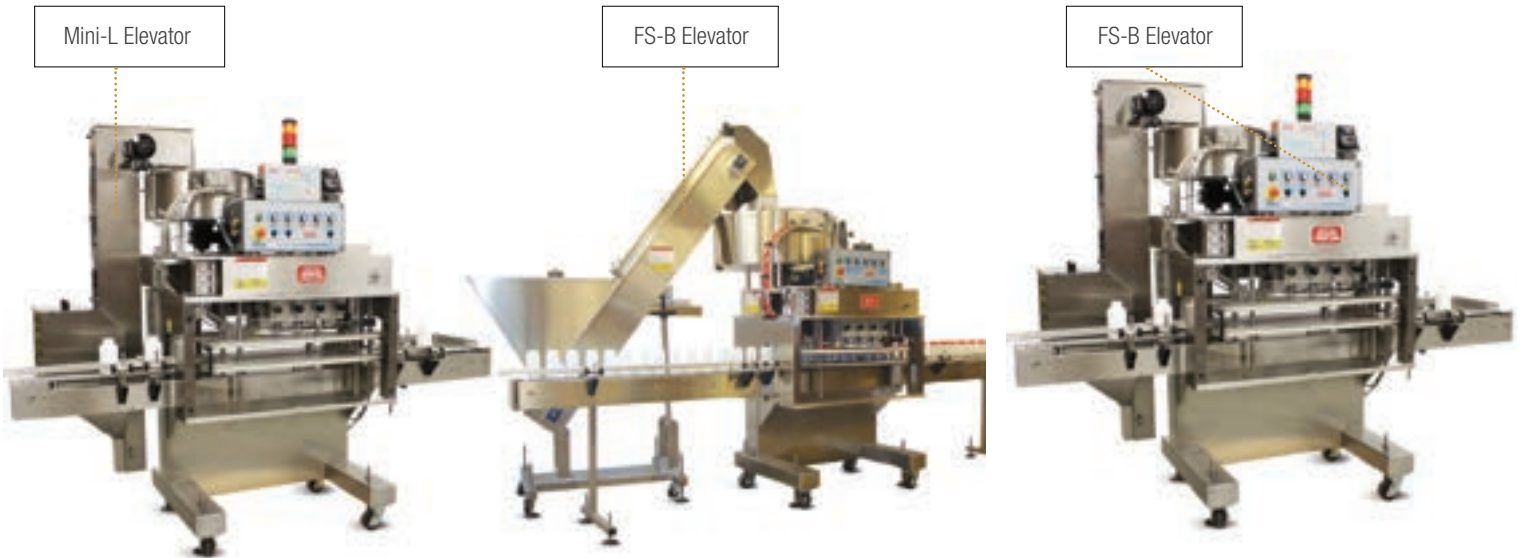
We capped the package of the year...and won numerous awards, with the capper that has been doing it best for nearly 80 years!



MADE IN USA

Portable 4, 6 and 8 Spindle Cappers

- **MODEL C-8 PORTABLE 8 SPINDLE CAPPER** | SPEEDS FROM 20 TO 400 BPM*



MODEL C-8 shown with standard 24" Rotary Cap Feeder and Mini-L elevator, optional Automatic Torque Monitor with Stack Light and optional Sanitary Style Conveyor

MODEL C-8 shown with upgraded 36" Rotary Cap Feeder, optional Bulk Elevator and Extended Conveyor (8 spindle)

MODEL C-8 Shown with upgraded 36" Rotary Cap Feeder, optional Bulk Elevator, Bottle Separator and Conveyor (8 spindle)

- **MODEL A-6 PORTABLE 6 SPINDLE CAPPER** | SPEEDS FROM 20 TO 200 BPM*



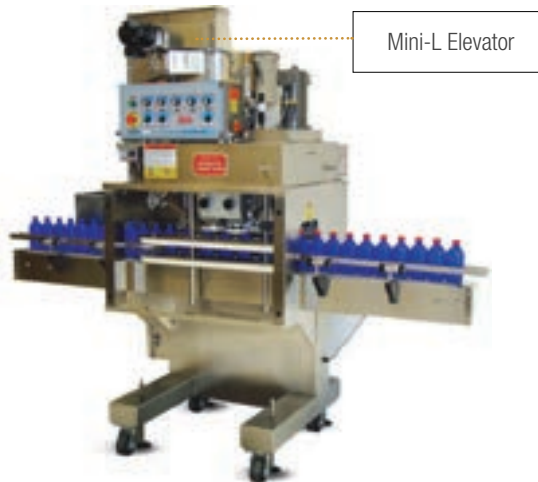
MODEL A-6 with upgraded 36" Rotary Cap Feeder, optional FS-B Cap Elevator and optional conveyor (6 spindle)

MODEL A-6 with standard 24" Rotary Cap Feeder, optional Mini-L Cap Elevator and optional Conveyor

* All capping speeds are dependent on cap size and type, bottle size, conveyor speed and torque requirements.

Portable 4, 6 and 8 Spindle Cappers

● **MODEL E-4 PORTABLE 4 SPINDLE CAPPER** | SPEEDS FROM 20 TO 80 BPM*



MODEL E-4 shown with standard 24" Rotary Cap Feeder, optional Mini-"L" Cap Elevator and optional Conveyor (4 spindle)



MODEL E-4X shown with standard 24" Rotary Cap Feeder, Conveyor extension with curve and conveyor covers, Class 1, Division 1 Electrical upgrade for hazardous location use, and Vibratory Upright 3.5 cubic foot Cab Bin Pre-feeder

* Actual speeds will vary based on bottle and cap type and size



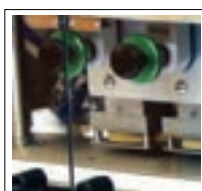
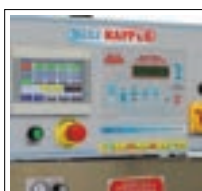
INTRODUCING THE MOST ADVANCED PHARMACEUTICAL BELT STYLE BOTTLE CAPPER EVER. WITH OVER 78 YEARS OF CAPPING EXPERTISE, THE BELT-KAPPER® MADE BY KAPS-ALL® PACKAGING SYSTEMS IS TRULY "THE PROVEN STANDARD"®

● **DESIGNED FOR THE PHARMACEUTICAL INDUSTRY**

Utilizes Belts in place of discs for Cap Tightening

FEATURES:

- Handles Vials to Gallon Containers
- Speeds up to 200 Units/Minute
- Capping for 13-70mm Closures
- Integral Hopper Level Sensor
- Air Pressure Sensor
- Motorized Head Height
- S.S Base
- Easy-Adjust Screw-Type grippers
- Linear Encoder for Easy Machine Height setup
- Pneumatic Clutch Assemblies
- Two Sets of Gripper Belt Assemblies
- **Color HMI Controls Allowing For:**
 - Recipes
 - Alerts
 - Recorded Event History
 - Password Protection
 - Multiple Languages
 - Easier Control Functionality
 - I/O Monitoring
 - And More
- **Built in Inspection and Rejection For:**
 - Torque Monitoring
 - Missing Cap
 - Skewed Cap
 - Missing Foil



- Easy Control Panel
- Belt Style Cap Tightening
- Sanitary S.S. Conveyor



● **Model BK-4**
(4-Belt Capping Machine)

* Ask for separate brochure for more info on this model.



Portable Cap Tightener and Retorquer (4, 6 and 8 Spindle)

• MODELS FC-8, FA-6 AND FE-4

| 8, 6, AND 4 SPINDLE AUTOMATIC PORTABLE CAP TIGHTENERS AND RETORQUERS

| SPEEDS FROM 5 TO 500 BPM*

- Ideal for pump and trigger cap tightening, re-torquing after heat induction sealing and other short production runs
- Models FA-6 and FC-8 handle caps of all materials and styles from 8mm to 120mm including pilfer evident and child resistant cap closures (standard range is 13mm to 70mm)
- Model FE-4 handles caps of all materials and styles from 8mm to 70mm including pilfer evident and child resistant cap closures (standard range is 13mm to 70mm)
- Handles metal, glass or plastic containers from low jars and vials up to 2-1/2 gallons
- Easily moved from one production line to another on heavy duty swivel casters
- Incorporates easily into existing production lines
- Capping speed determined by placement of caps on bottles by operator or line speeds
- Multi-functional; can be easily converted to a completely automatic Model E-4, A-6 or C-8 capper at a later time (see page 3-5)
- Electronic cap torque monitoring available for quality assurance
- Comes with 4, 6 or 8 spindles; with one or two sets of bottle gripper belts
- Available with or without conveyor
- Comes standard with patented adjustable torque clutches on all spindles
- Stainless steel guard enclosure with Lexan doors on front and back enclosing spindle and gripper section down to conveyor, including safety interlocks for all capper models.



MODEL FC-8 Cap Tightener shown with optional Torque Monitor (8 spindle)



MODEL FE-4 Cap Tightener (4 spindle) with AM-250 Induction Sealer by Auto-Mate Technologies.



MODEL FA-6 Cap Tightener shown with optional Torque Monitor (6 spindle)

Overcapper/Lidder/Bottle Carrier/Transporter

• MODEL B

| AUTOMATIC OVERCAPPER/LIDDER

| SPEEDS FROM 20 TO 400 BPM*

Several models available to suit your exact needs!

- Fully Automatic and Semi-Automatic models available
- Handles caps of all materials, shapes and styles from 8mm to 120mm including pilfer evident, child resistant and custom cap closures (standard range is 13mm to 70mm)
- Comes as a portable model for use over your existing conveyor
- Handles metal, glass or plastic containers from low jars and vials up to 2-1/2 gallons
- Easily converted to a combination capper similar to the Model G
- Available with a standard 24" rotary cap feeder or optional 36" feeder.
- Stainless steel guard enclosure with Lexan doors on front and back enclosing spindle and gripper section down to conveyor.
- Guarding includes safety interlocks.



MODEL BA-6 Overcapper shown with standard 24" Rotary Cap Feeder and optional Mini-L Cap Elevator

MODEL BE-4 Portable base Overcapper shown with standard 24" Rotary Cap Feeder and Upright Cap Bin Hopper

* Actual speeds will vary based on bottle and cap type and size

• MODEL BC

| MULTI-PURPOSE BOTTLE CARRIER/TRANSPORTER/ DE-PUCKER/BOTTLE SEPARATOR

- For applications such as gap transporting between conveyors, depucking containers, bottom coding, decorating, etc.
- Portable on heavy-duty casters to move from one production line to another
- Electronically controlled variable speed adjustments for carrier belts to accommodate all applications
- Completely adjustable with no change parts from vials to gallons
- Handles containers of all shapes and styles
- Several carrier belt lengths available
- Single or double carrier belts available
- Stainless steel guarding with Lexan doors available.
- Optional conveyors available
- In stock for immediate delivery!

TWO STANDARD MODELS AVAILABLE:

- BC-16 with 16" of carrying distance
- BC-23 with 23" of carrying distance



MODEL BC-23
Multi-Purpose Bottle
Carrier/Transporter

Ideal for Exposing
bottom of bottle
for bottom coding.

Combination Capper/Overcapper

• MODEL MODEL GE-4, GA-6 AND GC-8

| COMBINATION AUTOMATIC SCREW CAPPER / OVERCAPPER

| SPEEDS FROM 20 TO 400 BPM*

- Fully Automatic
- Handles screw caps, press-on overcaps and fitments on the same machine
- Comes with 4, 6 or 8 spindles to suit your needs
- Handles caps of all materials and styles from 8mm to 120mm including pilfer evident and child resistant cap closures (standard range is 13mm to 70mm)
- Handles metal, glass or plastic containers from low jars and vials up to 2-1/2 gallons
- Comes as a portable model for use over your existing conveyor
- Comes with a standard 24" rotary cap feeder (optional 36" feeder available for larger caps or higher speeds)
- Can be used as a cap and pump tightener or cap retorquer
- Comes standard with clutches for screw capping
- Several methods for overcapping available to suit your needs
- Stainless steel guard enclosure with Lexan doors on front and back enclosing spindle and gripper section down to conveyor, including interlocks.



MODEL GE-4 shown with standard Rotary 24" Cap Feeder and Optional Mini-L Cap Elevator

Ball Placer/Inserter

• MODEL BP

| AUTOMATIC BALL PLACER/INSERTER

| SPEEDS FROM 20 TO 250 BPM*

Ideal for products containing an applicator roll-on ball such as deodorants, perfumes, medications on skin, etc.

- Fully automatic
- Exclusive patented design is ideal for roll-on deodorants, perfumes and similar applications
- Portable on heavy-duty casters
- No container—no ball dispenser
- No timing screws or timing mechanisms required
- Stainless steel rotary ball feeder
- No change parts for most container styles and sizes
- Straight line continuous motion
- Available with several hopper styles
- Available with or without conveyor
- Stainless steel guard enclosure with Lexan doors on front and back enclosing ball press unit and gripper section down to conveyor
- Includes safety interlocks

* Actual speeds will vary based on bottle and cap type and size



MODEL BP shown with optional Conveyor and optional Mini-L Ball Elevator

Complete Modular CONVEYS-ALL® Conveyor Systems For All Applications

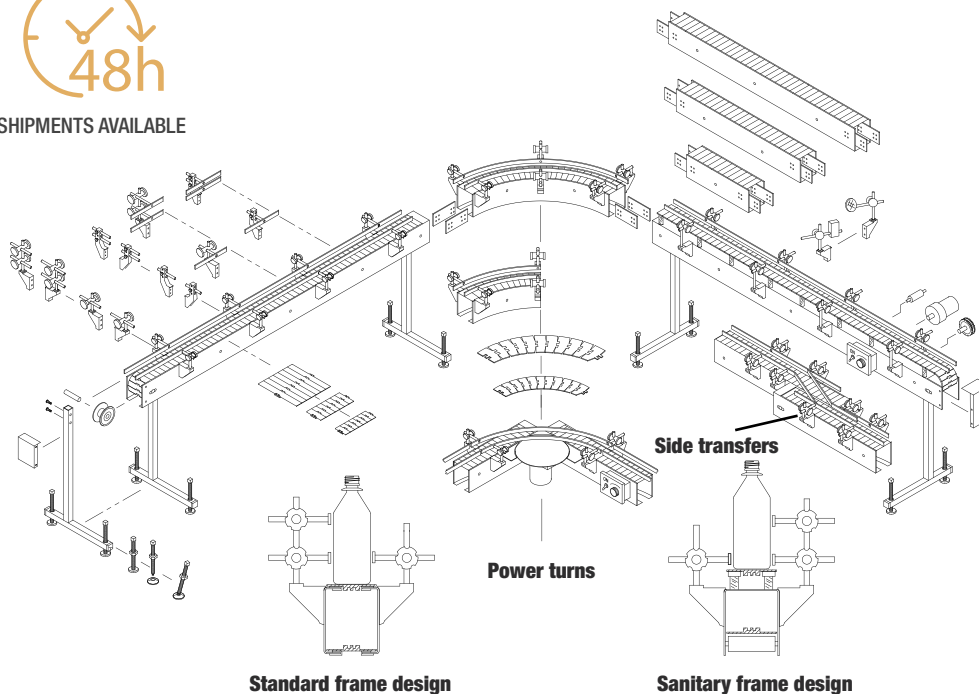


● CONVEYORS AVAILABLE FROM 3FT. (1 METER) TO 38 FT. (12 METERS). STANDARD, SANITARY AND CUSTOM LAYOUTS AVAILABLE

- Rugged, simple, stainless steel construction
- Variable speed electronic drives
- Stock lengths for quick delivery
- Custom lengths, widths and designs to meet most applications
- Easy to clean design
- Complete with stainless steel pedestals and fully adjustable patented guide rails
- Handles containers, boxes and other conveyable items
- Stainless steel turning wheels for 90° turns and other custom applications
- Curved conveyors
- Hazardous environment controls and motors available
- Sanitary conveyors for all applications
- Modular design



SHIPMENTS AVAILABLE



Conveyor Rail System



Double Conveyors



Curved Conveyors



"U" Conveyors

● INNOVATIVE ENGINEERING



Kaps-All Packaging Systems' professional engineering staff is committed to quality and creativity which is the driving force of our innovation. Let our over 78 years in business, designing and manufacturing capping machines work for you. Kaps-All Packaging Systems is recognized worldwide as the

leader in state-of-the-art, high performance packaging systems with advanced features such as:

- No change parts
- Minimum moving parts
- Patented designs allows for maximum production utilizing minimal set-up time.

Thousands of Kaps-All capping systems are in place in the packaging industry and countless repeat customers testify to Kaps-All's leadership and reliability.

Contact us today for a free consultation to discuss your packaging needs.

FOR MORE INFORMATION ON KAPS-ALL® PRODUCTS,
PLEASE REQUEST SEPARATE BULLETINS
ON KAPS-ALL'S COMPLETE LINE OF BOTTLING
AND PACKAGING EQUIPMENT AND SYSTEMS



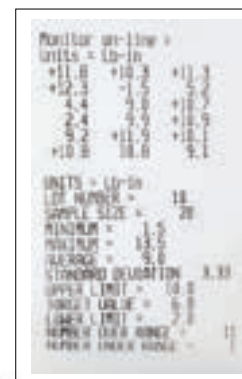
- Unscramblers
- Cleaners
- Fillers
- Conveyors
- Sealers
- Torque Testers
- Cappers
- Labelers
- Inspection Machines
- Parts Feeders/Elevators
- Rotary Tables, etc.

Electronic Torque Meters and Monitors

• MODEL EB-650 | SEMI-AUTOMATIC ELECTRONIC BENCH TORQUE METER

MODEL EB-650 FEATURES:

- Bench model measures application and removal torque of screw caps and closures while being capped on, or removed from their containers
- Portable and compact - (measures only 10-1/2" wide x 10-3/4" deep x 7-3/4" high)
- Meter reads in five different units: Lb.-in., Oz.-in., Lb.-ft., Kg.-cm. and N-m.
- One piece stainless steel rugged enclosure, suitable for harsh environments
- Display torque is held on screen for easy viewing until next test is performed - no temperamental minimum and maximum spring indicators required
- Complete bottle clamping mechanism which can quickly and easily adjust from a vial to a gallon containers of most shapes
- Audible and visual (LED) indicators assist in ease of operation
- Can operate with both 110V, 1 phase, 60 Hz (50 Hz) and rechargeable batteries for complete portability (comes with battery charger)
- Other voltages available
- Built-in automatic shut-off when unit is not in use
- Available with RS-232 computer interface and printer
- Standard torque range of 3-100 lb-in with 1-10 lb-in and 1-25 lb-in ranges available
- In stock for immediate availability!



Sample Print-out

- (Shown with optional Quick-Release Clamping Plate)

* See common features below

• COMMON FEATURES OF BOTH BENCH AND MACHINE TORQUE READING MODELS

- Torque is read on LCD digital screen in 1/10 increments for added accuracy
- Only one model is necessary for a torque range from 3-100 Lb.-in. (3.5 - 115 Kg.-cm.) 3.5-115 Kg.-cm.
- Handles all styles, materials, types, shapes and sizes of closures, including child resistant and tamper evident
- Lexan panel for easy use and cleaning
- Certificate of traceability to the National Bureau of Standards available upon request
- Built-in mini-computer with standard statistical analysis package allows operator to display test results on integral screen without the need for additional computers and printer
- RS-232 communications link interfaces torque tester to a computer or printer (Printer is standard on Model EM-980)
- Standard statistical analysis which can be displayed on two line integral screen includes:

A Lot number
(set by operator)

D Minimum torque
of all tests performed

G Standard deviation
of all tests performed

J Lower acceptable
torque limit

B Sample size tested

E Maximum torque
of all tests performed

H Upper acceptable
torque limit

K Number of bottles
over range and
under range

C Units selected

F Average torque
of all tests performed

I Target torque
limit desired

Electronic Torque Meters and Monitors

• MODEL EM-980

| AUTOMATIC

ELECTRONIC TORQUE MONITOR

(FOR ALL KAPS-ALL® SCREW CAPPING MACHINES)

- The machine model measures application torque of screw caps while being capped on their containers as the capper is operating throughout the entire speed range of up to 200 BPM
- Operates on 110V, (220V optional) 1 phase, 60 Hz.(50 Hz)
- Outputs are standard for visual and audible alarms or to provide a signal for optional rejector for containers with low torques
- LCD screen displays final torque of each container being capped

* See common features on page 10

ELECTRONIC MACHINE TORQUE MONITOR

shown on Kaps-All's Automatic Cap Tightener Model FC-8

19.01 LB. IN.
PRINTER-ON BPM=120



Bottling and Packaging Systems

MODEL FA-R-24 Rotary Filler with A-6 Capper, AM-DA Inspection Center by Auto-Mate, AM-250 Induction Sealer by Auto-Mate and FS-S-48 Surge Table



ADDITIONAL PACKAGING EQUIPMENT:

In addition to our comprehensive line of capping machines and electronic torque testing equipment, Kaps-All Packaging Systems, Inc., also manufactures a wide range of automatic and semi-automatic:

- Liquid Fillers • Piston Fillers • Volumetric Fillers • Pressure Fillers • Gravity Fillers • Combination Pressure and Gravity Fillers • Bottle Cleaners/Ionizers • Bottle Orienters • Bottle Unscramblers • Conveyors • Induction Sealers • Diagnostic Monitoring Systems • Accumulating Systems

Kaps-All is your single source for a wide range of bottling and packaging equipment from one machine to complete systems. This ensures product compatibility and easy integration for your bottling and packaging needs. Our experienced sales and engineering staff is always available for assistance and further information.

Easy-Kap® Hand-Held Cappers

• MODELS P-700 AND P-700-R

| HAND-HELD CAPPERS WITH CAP-ABILITY®

- Up to 40+ cappings per minute
- Comes complete with balanced mounting suspension system to minimize operator fatigue
- Tightening torques up to 40 Lb.-in.
- Chuck sizes available to handle a wide range of cap sizes
- Full 2 year guarantee on power drive unit and clutch
- The only unit on the market with the exclusive, Kaps-All patented adjustable "Dial-A-Torque"® clutch system
- Ideal for both in-case capping and on-line capping
- Units come complete with balancer, one chuck, one clutch, one clutch adjusting tool and one cap driver insert
- Comes complete with filter-regulator, lubricator and all tubings and fittings needed for immediate operation
- One chuck and chuck insert can handle a range of several cap diameters
- Capable of tightening both screw and lug caps of all materials from 15mm diameter and up
- Model P-700-R can be used as a de-capper to remove caps from containers
- Requires little or no floor or bench space
- Unlike other units on the market, a consistent torque and minimal wear on chuck inserts can be expected with the fully adjustable, exclusive torque mechanism.
- The need to rely on air flow for desired torque is eliminated
- Model P-700 is suitable for hazardous location environments
- Push to start lever and automatic torque stop feature simplifies operator use
- In stock and available for quick delivery
- Heavy-duty metal drive (standard)

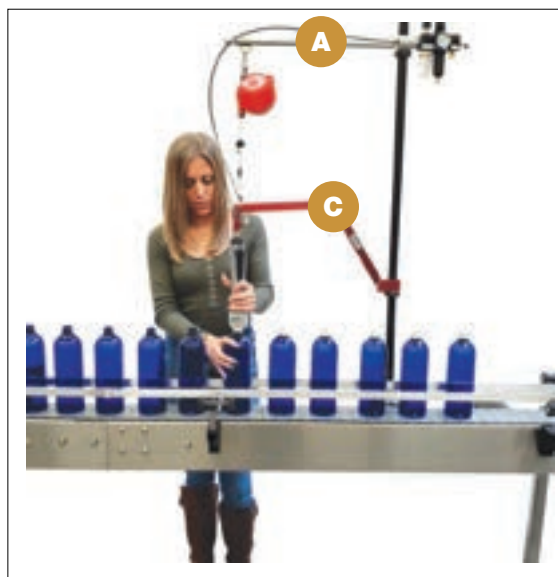


CHUCK PART NO.	CHUCK INSERT PART NO.	CAP OUTSIDE DIA RANGE (MM)
31-015	31-016	8-18MM
31-015A	31-016A	15-25MM
31-015B	31-016B	15-30MM
31-015C	31-016C	25-35MM
31-015D	31-016D	25-40MM
31-015E	31-016E	30-50MM
31-015F	31-016F	45-55MM
31-015G	31-016G	50-65MM
31-015H	31-016H	60-80 MM
31-015H	31-016H	70-85 MM

Model P-700-R Drive with clutch, chuck and insert

• | OPTIONAL EQUIPMENT:

- Support system for balancer and cap driver to secure directly to table (See photo "A" below)
- Torque reading tool to accurately determine and adjust torque settings on adjustable "Dial-A-Torque"® clutch systems
- Anti-torque arm eliminates operator fatigue and increases safety for long term use "C"
- Table mounted, lever-actuated capper stand (see photo "B" below)



A - SUPPORT SYSTEM



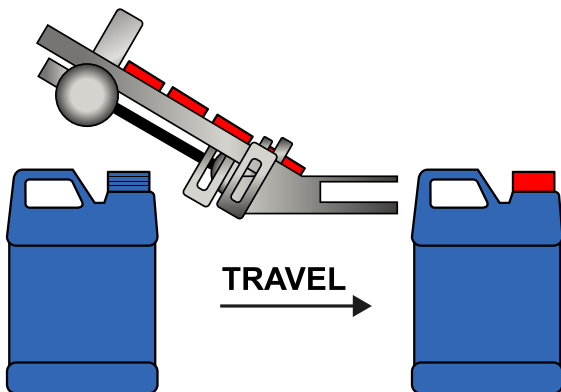
B - TABLE STAND SYSTEM

Exclusive Patented Capper Features

KAPS-ALL® PROVIDES OVER 45 PATENTED FEATURES TO HELP HANDLE YOUR APPLICATIONS

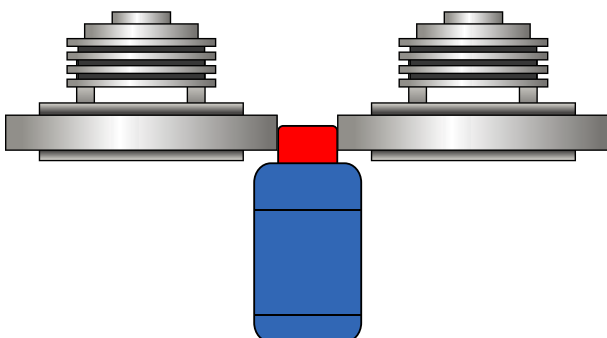
• CAP ALTERNATOR (PATENTED)

For special capping applications such as “F” style containers (where a handle is on top of the container i.e.; antifreeze bottle) and double neck containers (where two or more different cap types are required). The alternator allows the release of only one cap per container using a special alternating cam to bypass the handle or other high container parts. (No air required).



• MECHANICAL ADJUSTABLE TORQUE LIMITING CLUTCH SYSTEM (PATENTED)

Provided as standard equipment on all Kaps-All Screw Cappers are torque limiting clutches to facilitate a consistent, repeatable and desired application torque. These specially engineered torque limiting clutches are easily adjusted for a wide torque range from 0.1 Lb.-in. up to 60 Lb.-in. of application torque. A calibrated torque tester available from Kaps-All, is used to ascertain the setting. These clutches minimize excessive wear of the cap tightening discs and eliminates marring of the caps.



• REMOTELY CONTROLLED TORQUE LIMITING CLUTCH SYSTEM (PATENTED)

Pneumatically operated torque limiting clutches give all the same benefits and advantages of the mechanical clutches, while at the same time providing additional advantages. These clutches allow the operator to adjust the application torque of the caps as they are applied to the containers. They can be adjusted while the machine is in operation eliminating lost production time and the need to adjust each clutch individually. Calibrated dials assure the operator of repeatable torque settings for each capping application without the need of torque wrenches and separate tools.



• KAPS-ALL® . . . YOUR SINGLE SOURCE FOR ALL OF YOUR BOTTLING AND PACKAGING EQUIPMENT NEEDS

Kaps-All, a leading designer and manufacturer of quality packaging machinery systems, utilizes over 45 patented features for maximum proven performance. State-of-the-art components offer reliability and versatility to keep pace with all production requirements. Call for more information or applications assistance. Integration services with other manufacturers is available.



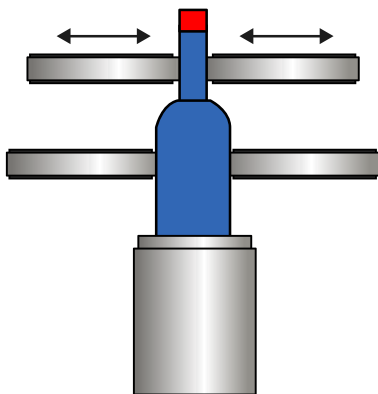
KAPS-ALL
PACKAGING SYSTEMS^{INC.}
KAPS-ALL CAPPER® FILLS-ALL®
FEED SYSTEMS® ORIENTAINER®

Exclusive Patented Capper Features

KAPS-ALL® PROVIDES OVER 45 PATENTED FEATURES TO HELP HANDLE YOUR APPLICATIONS

- **ADJUSTABLE BOTTLE GRIPPER BELTS (PATENTED)**

In cases where the container is not uniformly cylindrical, such as with tapered bottles, the top or bottom set of bottle gripper belts can be adjusted. This is done by holding the narrow portion of the container independently from the wide portion of the container. In cases of offset bottle necks and special container designs (such as animals and figurines) the belts are infinitely adjustable to match the contour of most custom containers. This unique optional adjustable belt feature allows for complete control of the container while it is being capped.



- **ROTARY CAP AND PARTS FEEDER MODELS FSRF-24 AND FSRF-36 (PATENTED)**

Mounts directly onto Kaps-All capping machines • Exclusive patented, compact design • Stainless steel construction • Feeds and orients all caps and small parts into predetermined orientation at rates of 20 to 700 parts per minute • Handles most standard, tall, child safety, pilfer evident, snap caps and similar parts • Only simple adjustments required for fast changeovers • Full 2 year guarantee, the longest in the industry • Ideal for jars and small containers. • Can also be used with other existing machinery



- **PARTS ELEVATOR/HOPPER MODEL FS-B**

- Uniquely designed stainless steel Parts Elevator for the feeding of Caps, Plugs, Dip Tubes, Aerosol Valves, Pumps and other similar parts. • Features include: compact design, low cost, variable speed drive, portability and hopper sizes from 5 to 8 cubic feet.
- Designed specifically for use with Kaps-All Cappers and can also be used with other existing machinery • Variable speed drive.



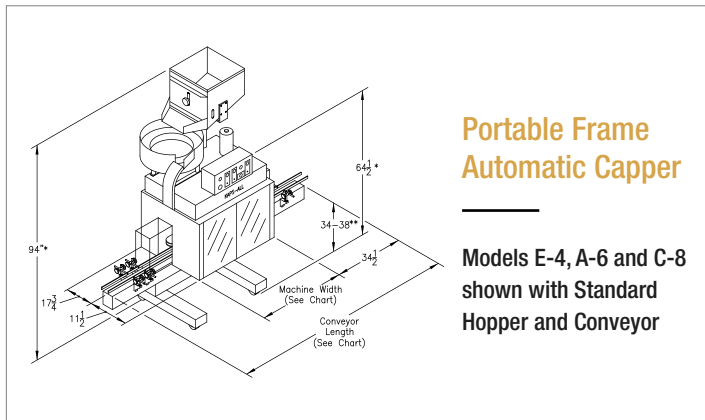
- **PARTS AND CAP ELEVATOR/HOPPER MODEL MINI" L"™**

Easy-Load® small footprint Cap and Parts Elevator that mounts directly onto Kaps-All cappers or available with its own mobile floor stand for use with other existing machinery.



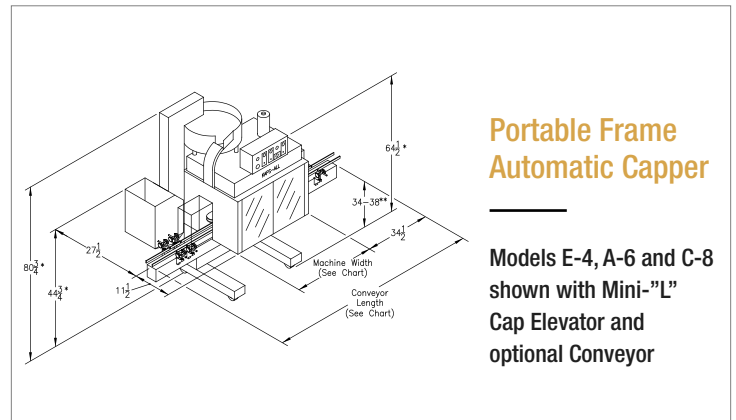
- Features include: compact design, low cost, variable speed drive, portability and Hopper sizes from 3 to 4 cubic feet.

Dimensions and Specifications



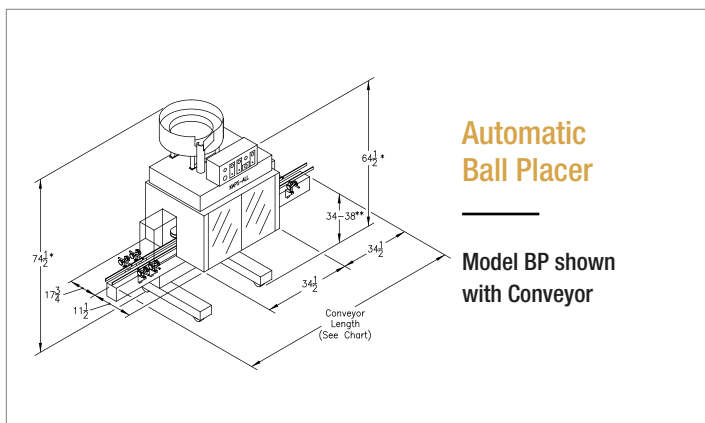
Portable Frame Automatic Capper

Models E-4, A-6 and C-8 shown with Standard Hopper and Conveyor



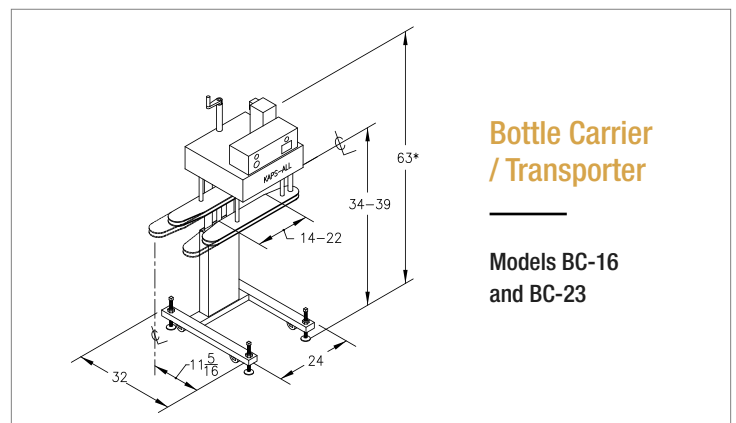
Portable Frame Automatic Capper

Models E-4, A-6 and C-8 shown with Mini-'L' Cap Elevator and optional Conveyor



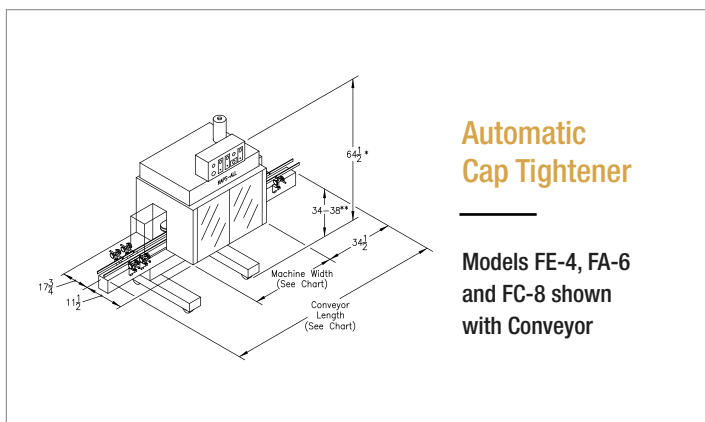
Automatic Ball Placer

Model BP shown with Conveyor



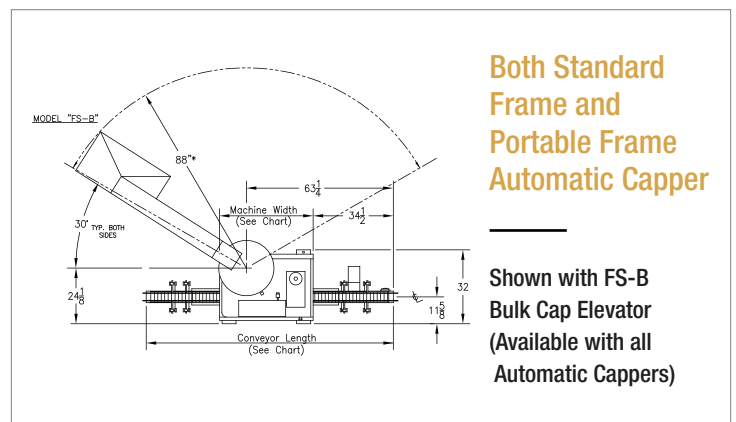
Bottle Carrier / Transporter

Models BC-16 and BC-23



Automatic Cap Tightener

Models FE-4, FA-6 and FC-8 shown with Conveyor



Both Standard Frame and Portable Frame Automatic Capper

Shown with FS-B Bulk Cap Elevator (Available with all Automatic Cappers)

DIMENSIONS

MACHINE MODEL	MACHINE WIDTH (IN.)	CONVEYOR LENGTH (IN.)
A-6, BA-6, GA-6	40-1/2"	110"
C-8, BC-8, GC-8	44"	114"
E-4, BE-4, GE-4	34-1/2"	104"

NOTES:

- All dimensions shown are in inches.
- * Indicates height based on a 34" high conveyor and a 6" tall container.
- ** Other conveyor heights available.
- Some items shown may be optional.
- Due to Kaps-All's commitment to maintain quality leadership in the packaging industry, dimensions, specifications and options subject to change without notice.
- Electrics: 110V, 1 PH, 60/50 Hz or 220V, 3 PH, 60/50 Hz (standard) other voltages available on request. Air consumption: Cap feeder - 2 to 4 cubic ft/min, (for most applications). Pneumatic clutches - Pressurized system, no air consumed.

KAPS-ALL PACKAGING SYSTEMS^{INC.}

KAPS-ALL CAPPER®

FILLS-ALL®

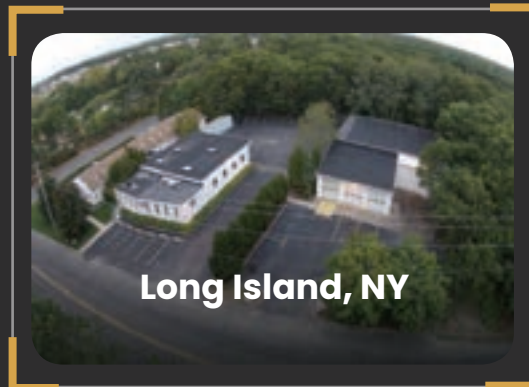
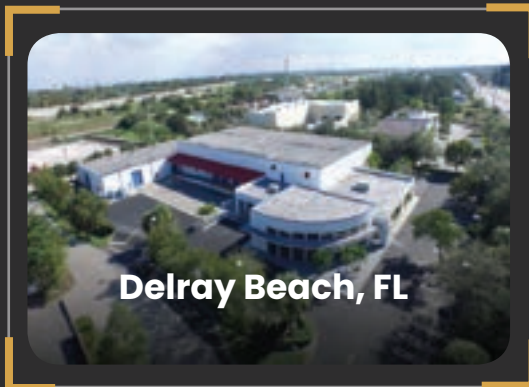
FEED SYSTEMS®

ORIENTAINER®

Complete Filling And Bottling Systems
Are Available For The Entire Spectrum Of Packaging Applications:

- Pharmaceutical • Industrial • Cosmetic • Biotech • Laboratory • House-Hold Products
- Biomedical • Chemical • Food • Automotive • Veterinary • Paint • Toiletries
- Hygienics and Sanitary • And more!

Two Locations To Better Serve You:



- 251 North Congress Avenue
Delray Beach, FL 33445 USA

- 200 Mill Road
Riverhead, NY 11901 USA

Tel **(631) 727-0300** | Fax **(631) 369-5939** | Email sales@kapsall.com

- **KAPS-ALL®** Bottle Cappers and Cap Tighteners • **FILLS-ALL®** Rotary and Straight Line Automatic and Semi-Automatic Liquid Fillers • Bulk Loaders • **FEED SYSTEMS®** Rotary and Escalator Parts Feeders • **ORIENTAINER®** Bottle Orienters and Unscramblers • Accumulators
- **CLEAN-N-VAC®** Bottle Cleaners • **CONVEYS-ALL®** Conveyor Systems • Ball Placers
- Bottle Carriers • Heat Induction **WATERLESS CAP SEALER®** • Inspection Systems • **EASY KAP®** Hand Cappers • Desiccant Inserters • Electronic Torque Metering and Monitoring
- Custom Packaging Machinery • Wrap Labelers • Panel Labelers
- Combination Labelers • Custom Labelers



www.kapsall.com



©Copyright 2018, Kaps-All Packaging Systems, Inc. • US and Foreign Patents, Others Pending