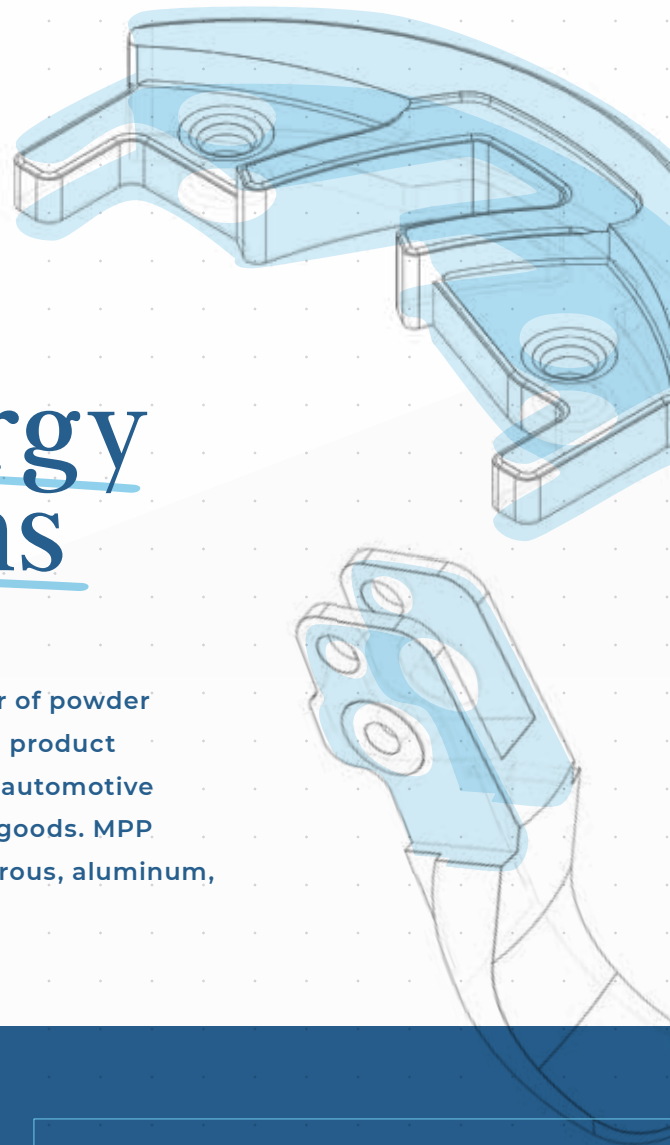




Custom-Engineered

Powder Metallurgy Product Solutions

Metal Powder Products (MPP) is the largest industrial supplier of powder metallurgy components. MPP provides custom-engineered PM product solutions to customers in a variety of industries ranging from automotive to lawn and garden, off-highway to power tools and sporting goods. MPP is also a highly recognized industry leader in the supply of ferrous, aluminum, stainless steel, and soft magnetic composites.



MPP's Expertise

- The premiere supplier of lightweight aluminum components and weight saving solutions
- Industry leader in ferrous, stainless steel, and soft magnetic components with greater possibilities and innovation
- A deep applications knowledge with a focus on collaborative product design and high performance materials with conversion from other metal forming processes
- Extensive experience with an unmatched reputation in creating value by minimizing waste, energy, and lead-times
- Best in class CNC compaction technology components with complexity far beyond the ability of others in the industry

WE WORK WITH ...

- ⊕ Brass
- ⊕ Bronze
- ⊕ Iron
- ⊕ Aluminum
- ⊕ Steel & Stainless Steels
- ⊕ Soft Magnetic Materials



Why Convert to PM

Converting components from another metal-forming technology such as stamping, machining, die-casting or forging to powder metallurgy delivers real benefits:

- Reduced wear
- Improved corrosion
- Extraordinary geometry and tolerance capabilities
- Reduction of secondary operations
- Better quality control

MPP Technology Center. Where We Do Some of Our Best Work

One of the industry's premier technical centers, with a focus on:

- Team of recognized experts (PhDs)
- Development of proprietary materials and processes
- Advanced compaction and sintering techniques
- Prototyping
- Top industry-leading technical experts on staff

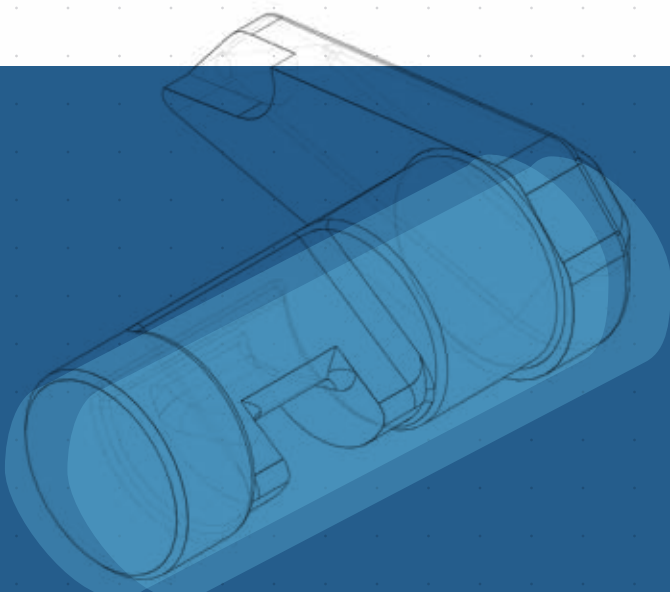
Engineering Makes the Difference

Whether it's solving customers problems or driving future innovations, our engineers and industry experts thrive on a good challenge. Our team of engineers is constantly developing new materials, manufacturing techniques, and applications. They're why MPP can deliver cutting edge solutions for our customers.



AWARDS AND KUDOS

Thanks to MPP's engineering and innovation, we've won more than a dozen awards, including eight Grand Prize awards in the annual MIPF Design Excellence Award Competition. This includes awards for ferrous, non-ferrous, and stainless steel categories.



Learn More

MPP Headquarters
14670 Cumberland Rd.
Noblesville, IN 46060

Contact Us Today
Solutions@MPPinnovation.com

