

ALL DIMENSIONS FOR REFERENCE ONLY

REV	DESCRIPTION	DATE	ECN NO
B	VISUAL UPDATE WITH NEW MOUNTING BRACKETS	1/25/23	ATP
A	RELEASED TO WEBSITE	4/5/21	ATP
REV	DESCRIPTION	DATE	ECN NO

TOLERANCES UNLESS OTHERWISE SPECIFIED

INCH TOLERANCES

XX = ± .03

XXX = ± .005

ANGLES = ± 0°30'

DEBURR HOLES AND SHARP EDGES

GEOMETRIC DIMENSIONING & TOLERANCING PER ASME Y14.5M

- NOTICE -

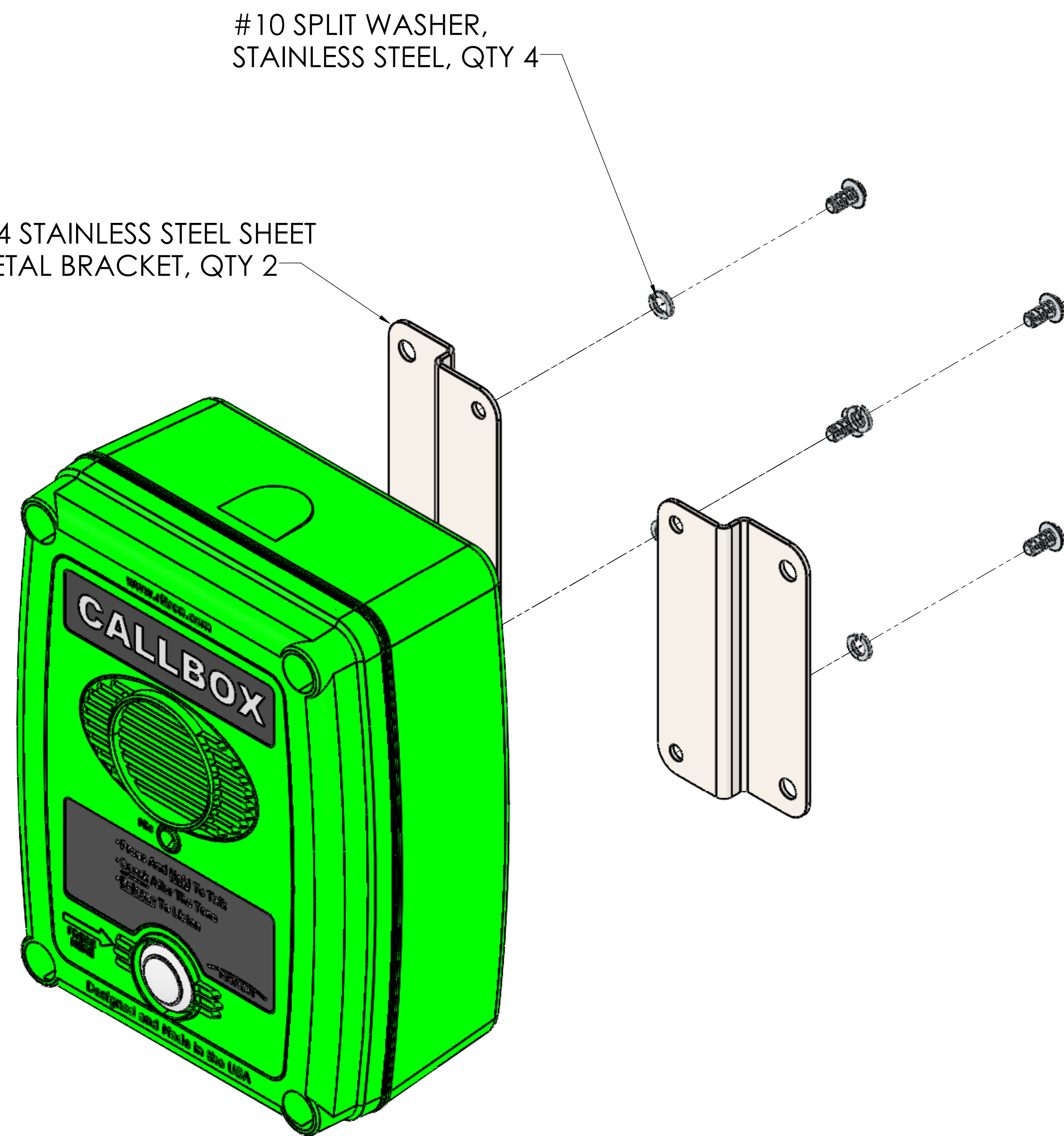
This technical drawing is the property of Ritron and embodies a confidential proprietary design in which Ritron retains all patents, patents pending and other rights, including exclusive right of use, manufacture and sale. It is submitted under a CONFIDENTIAL relationship for a specific purpose and the recipient agrees, by accepting this drawing, not to supply or disclose any information regarding it to any unauthorized person. Nor may any portion of it be copied, exhibited or furnished to others, nor may photographs be taken of any article fabricated or assembled from this drawing without the consent of Ritron. This drawing must be returned on request.

- MATERIAL -		HARDNESS	DRAWN BY	DATE	SCALE	SHEET 1 OF 2
UV STABLE POLYCARBONATE			ATP	1/25/2023	1:1	
PART NAME / TITLE		STANDARD MOUNTING BRACKETS				DRAWING UNITS
		(2 PER) RK-RQX-Q-MB				INCH
USED ON		MODEL Q SERIES CALLBOXES				THIRD ANGLE PROJECTION
						STATUS
						PRODUCTION
						SIZE
						D
						REV
						B

DO NOT SCALE DRAWING

**RITRON**

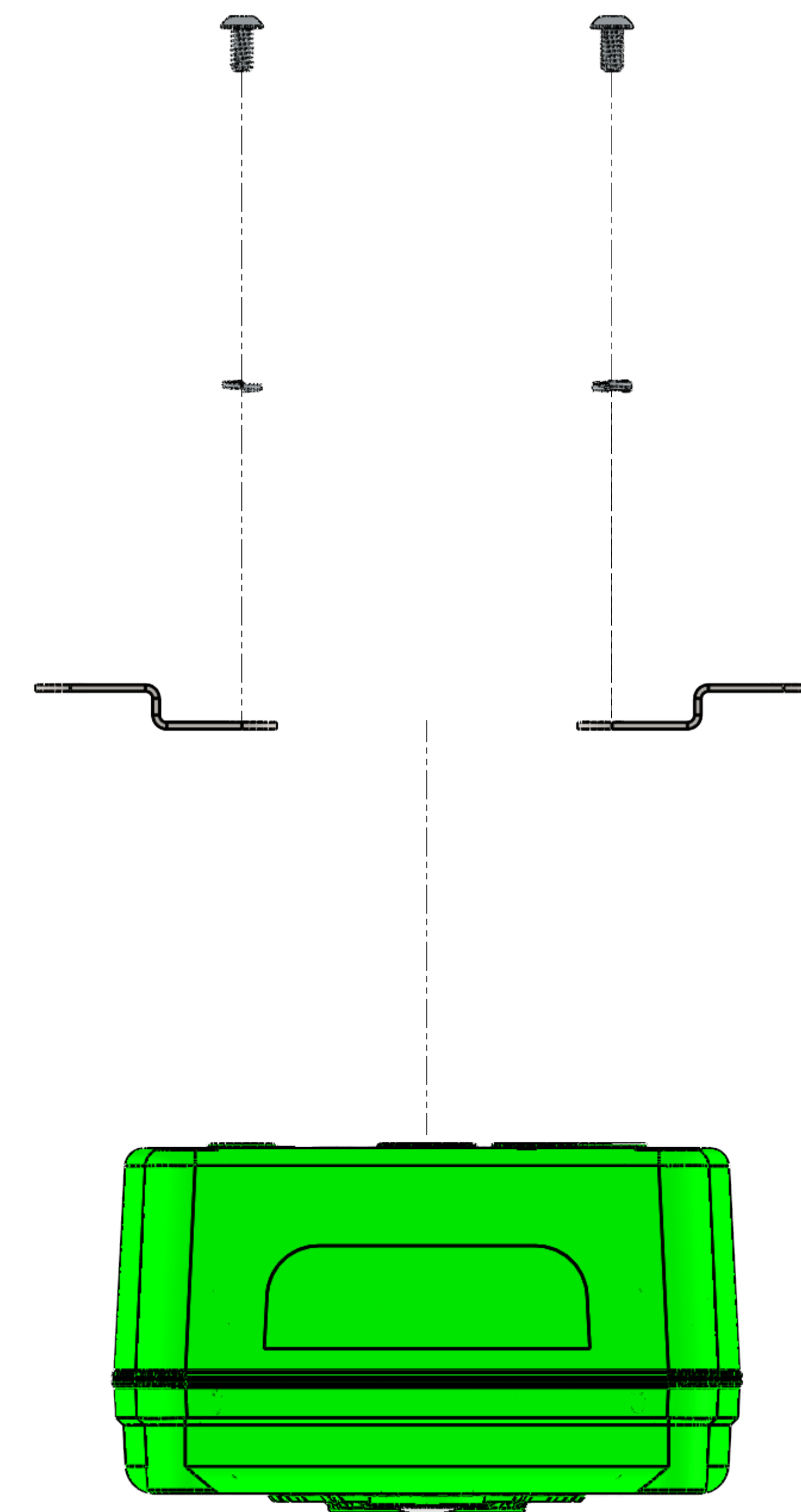
DRAWING NO. RQX CALLBOX DIMENSIONS



#10 SPLIT WASHER,  
STAINLESS STEEL, QTY 4

304 STAINLESS STEEL SHEET  
METAL BRACKET, QTY 2

#10-24-UNC X 3/8"LG, T-25  
SECURITY TORX SCREW,  
STAINLESS STEEL, QTY 4



B	VISUAL UPDATE WITH NEW MOUNTING BRACKETS	1/25/23	ATP
A	RELEASED TO WEBSITE	4/5/21	ATP
REV	DESCRIPTION	DATE	ECN NO.
<p>TOLERANCES UNLESS OTHERWISE SPECIFIED</p> <p>INCH TOLERANCES</p> <p>XX = ± .03</p> <p>XXX = ± .005</p> <p>ANGLES = ± 0°30'</p> <p>DEBURR HOLES AND SHARP EDGES</p> <p>GEOMETRIC DIMENSIONING &amp; TOLERANCING PER ASME Y14.5M</p>			

**- NOTICE -**

This technical drawing is the property of Ritron and embodies a confidential proprietary design in which Ritron retains all patents, patents pending and other rights, including exclusive right of use, manufacture and sale. It is submitted under a CONFIDENTIAL relationship for a specific purpose and the recipient agrees, by accepting this drawing, not to supply or disclose any information regarding it to any unauthorized person. Nor may any portion of it be copied, exhibited or furnished to others, nor may photographs be taken of any article fabricated or assembled from this drawing without the consent of Ritron. This drawing must be returned on request.

<b>- MATERIAL -</b>	HARDNESS	DRAWN BY	DATE	SCALE	SHEET 2 OF 2
UV STABLE POLYCARBONATE		ATP	1/25/2023	1:1	
PART NAME / TITLE					DRAWING UNITS
STANDARD MOUNTING BRACKETS					INCH
(2 PER) RK-RQX-Q-MB					THIRD ANGLE PROJECTION
USED ON					STATUS
MODEL Q SERIES CALLBOXES					PRODUCTION
DRAWING NO.					SIZE
RITRON					D
RQX CALLBOX DIMENSIONS					REV
DO NOT SCALE DRAWING					B