

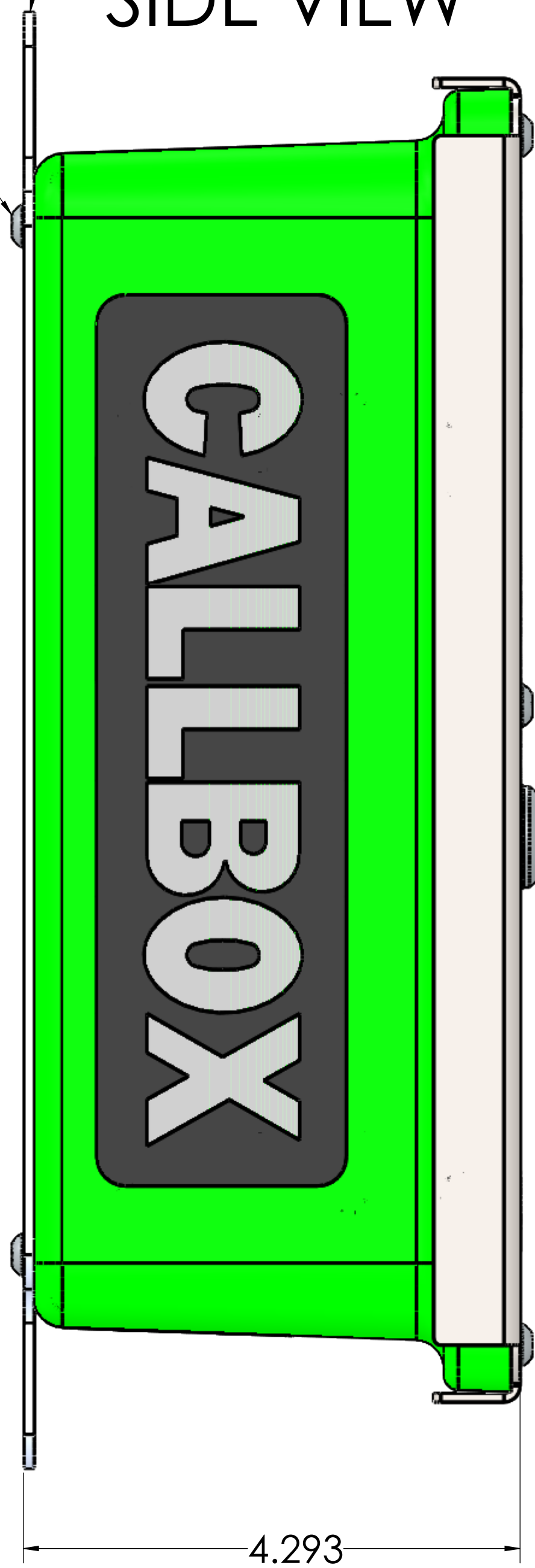
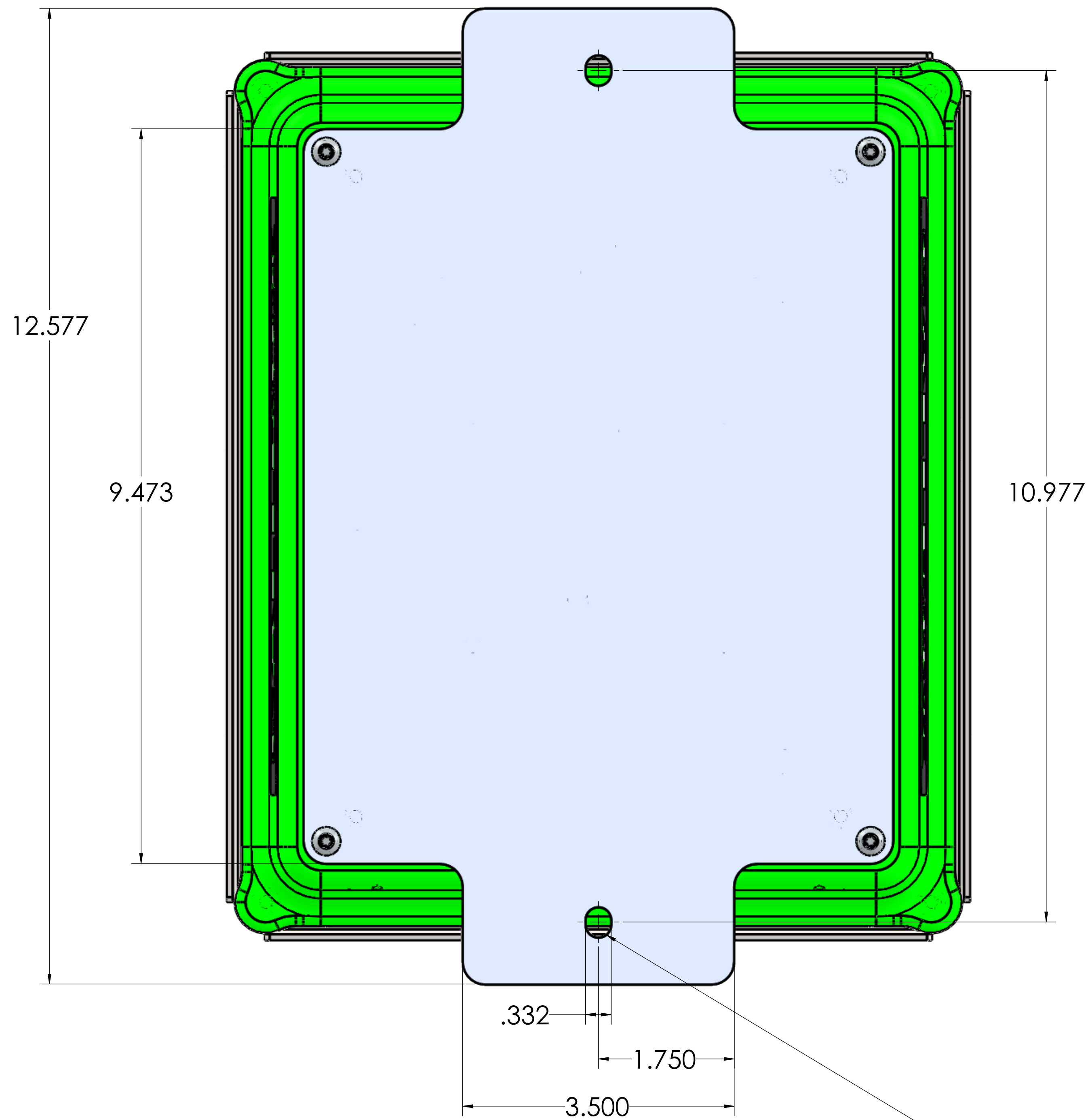
#10-32 X .500 LONG
SECURITY HEAD T-25 TOX SCREW
QTY 4 PER ASSEMBLY

RQX-XTMK MOUNTING PLATE

REAR VIEW

SIDE VIEW

FRONT VIEW



2X SLOT FOR 5/16 MAX
DIAMETER MOUNTING SCREW

FOR REFERENCE ONLY

REV	DESCRIPTION	DATE	ECN NO

TOLERANCES UNLESS OTHERWISE SPECIFIED

INCH TOLERANCES

XX = ± .03

XXX = ± .005

ANGLES = ± 0°30'

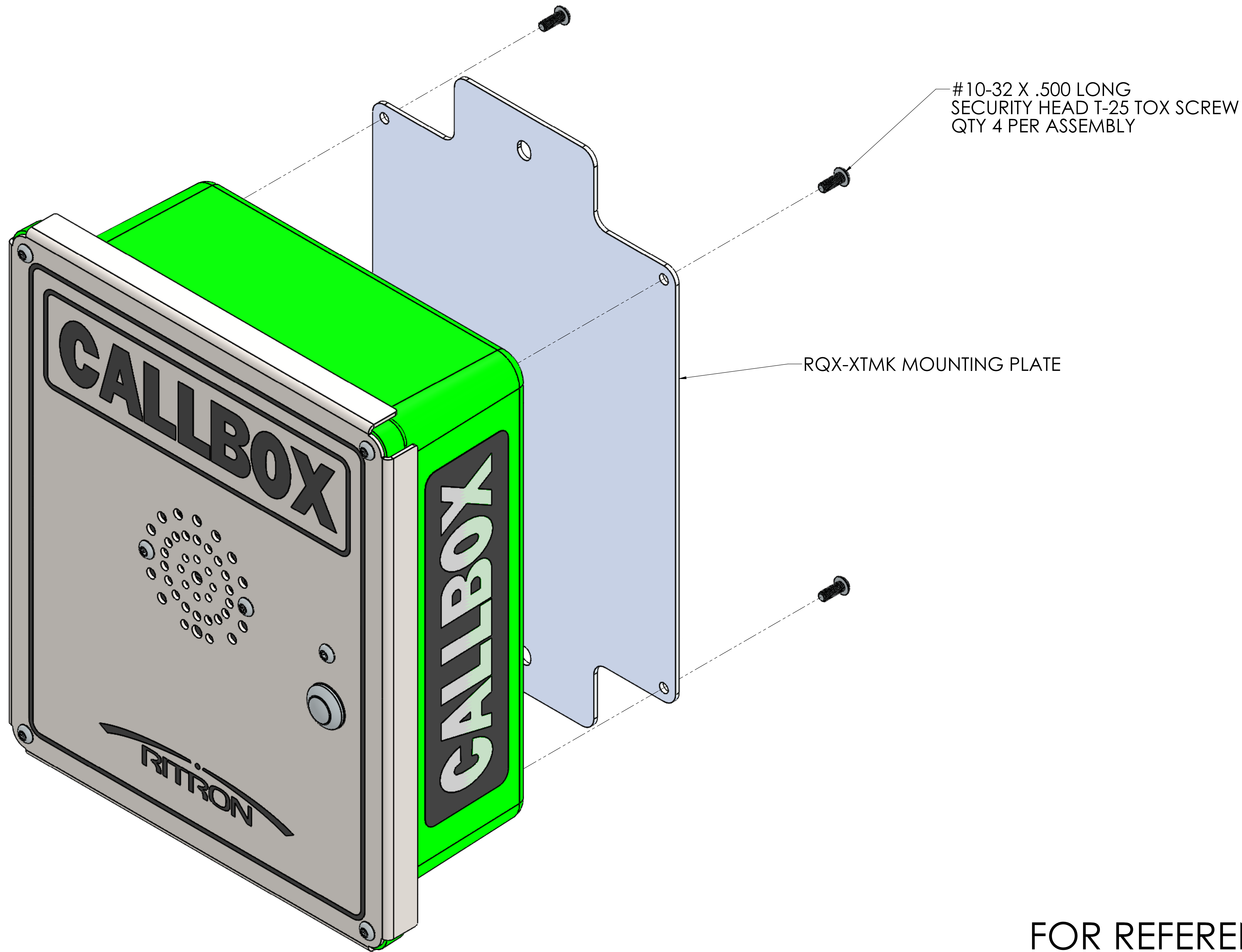
DEBURR HOLES AND SHARP EDGES

GEOMETRIC DIMENSIONING & TOLERANCING PER ASME Y14.5M

- NOTICE -

This technical drawing is the property of Ritron and embodies a confidential proprietary design in which Ritron retains all patents, patents pending and other rights, including exclusive right of use, manufacture and sale. It is submitted under a CONFIDENTIAL relationship for a specific purpose and the recipient agrees, by accepting this drawing, not to supply or disclose any information regarding it to any unauthorized person. Nor may any portion of it be copied, exhibited or furnished to others, nor may photographs be taken of any article fabricated or assembled from this drawing without the consent of Ritron. This drawing must be returned on request.

- MATERIAL -	HARDNESS	DRAWN BY G.KING	DATE 1/13/2021	SCALE 1:1	SHEET 1 OF 2
	PART NAME / TITLE RQX-XTMK FLUSH MOUNT PLATE			DRAWING UNITS INCH	THIRD ANGLE PROJECTION
	USED ON CALLBOX - XT			STATUS PRODUCTION	SIZE D
				DRAWING NO. RQX-XTMK	REV A
DO NOT SCALE DRAWING					INSTALLATION



FOR REFERENCE ONLY

REV	DESCRIPTION	DATE	ECN NO
A			

TOLERANCES UNLESS OTHERWISE SPECIFIED

INCH TOLERANCES
 XX = ± .03
 XXX = ± .005
 ANGLES = ± 0'30"

DEBURR HOLES AND SHARP EDGES
 GEOMETRIC DIMENSIONING & TOLERANCING PER ASME Y14.5M

- NOTICE -
 This technical drawing is the property of Ritron and embodies a confidential proprietary design in which Ritron retains all patents, patents pending and other rights, including exclusive right of use, manufacture and sale. It is submitted under a CONFIDENTIAL relationship for a specific purpose and the recipient agrees, by accepting this drawing, not to supply or disclose any information regarding it to any unauthorized person. Nor may any portion of it be copied, exhibited or furnished to others, nor may photographs be taken of any article fabricated or assembled from this drawing without the consent of Ritron. This drawing must be returned on request.

- MATERIAL -		HARDNESS	DRAWN BY	DATE	SCALE	SHEET 2 OF 2
			G.KING	1/13/2021	1:1	
PART NAME / TITLE		RQX-XTMK FLUSH MOUNT PLATE				DRAWING UNITS INCH
USED ON		CALLBOX - XT				THIRD ANGLE PROJECTION
						STATUS PRODUCTION
						SIZE D
						REV A
DO NOT SCALE DRAWING		DRAWING NO. RITTRON		RQX-XTMK INSTALLATION		